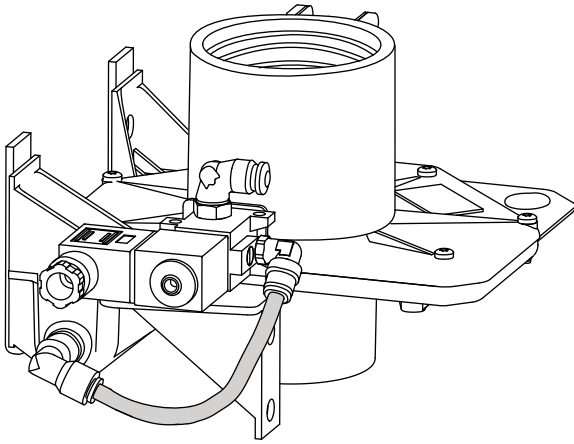
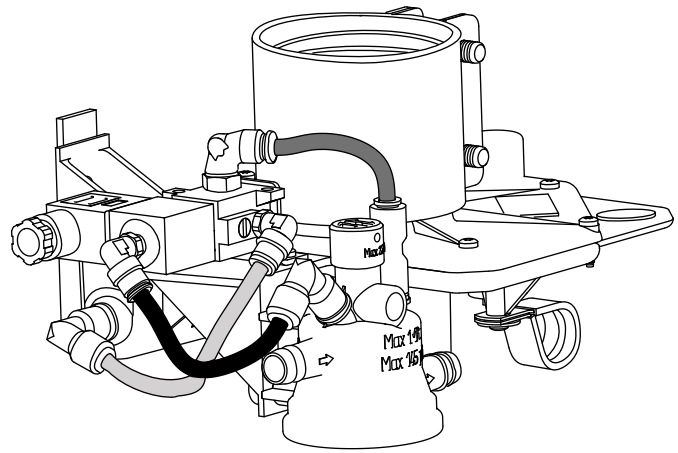


MV



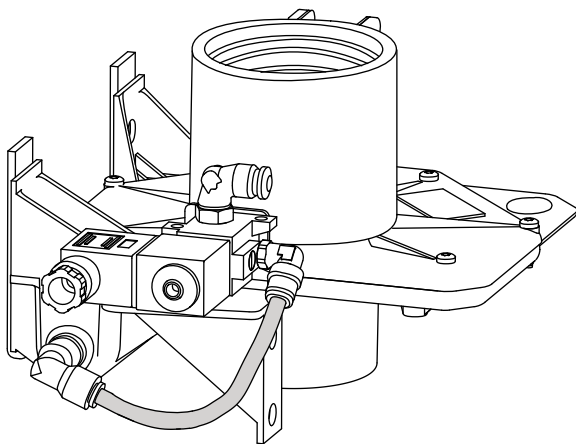
■ = 125 mm

FV/MV



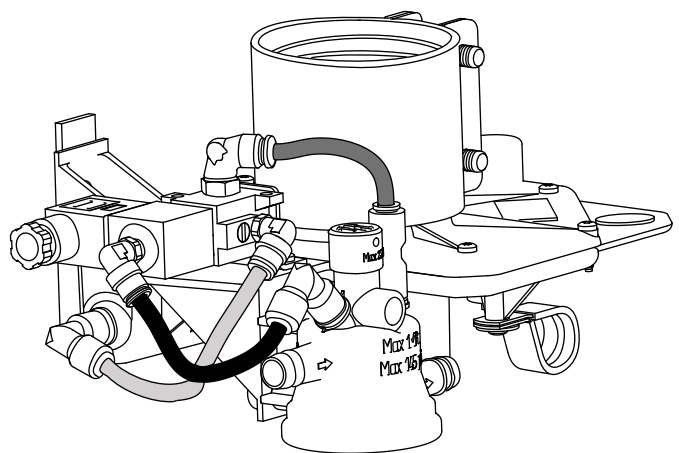
■ = 80 mm
■ = 100 mm
■ = 125 mm

MV



■ = 125 mm

FV/MV



■ = 80 mm
■ = 100 mm
■ = 125 mm