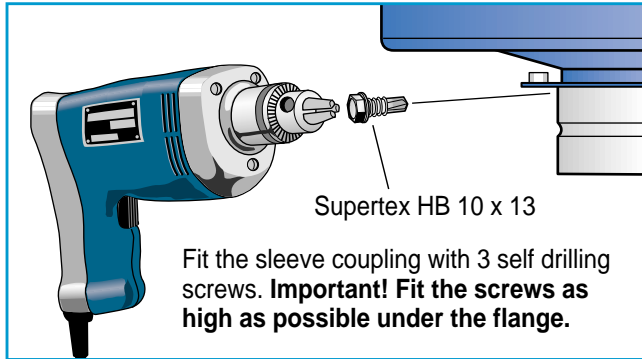
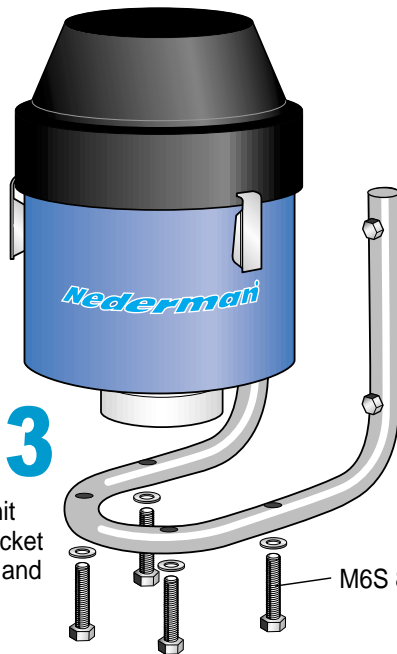


## Wall Bracket with Drip Collector and Damper for NOM 4 Filter Unit



**1** Fit the sleeve coupling to the filter unit.



**2** Fit the wall bracket on the wall. Ensure that suitable fixing bolts are used and that they are secure. The bolts must each stand a torque force of minimum 720 N.

**3** Fit the filter unit to the wall bracket with 4 screws and washers.

