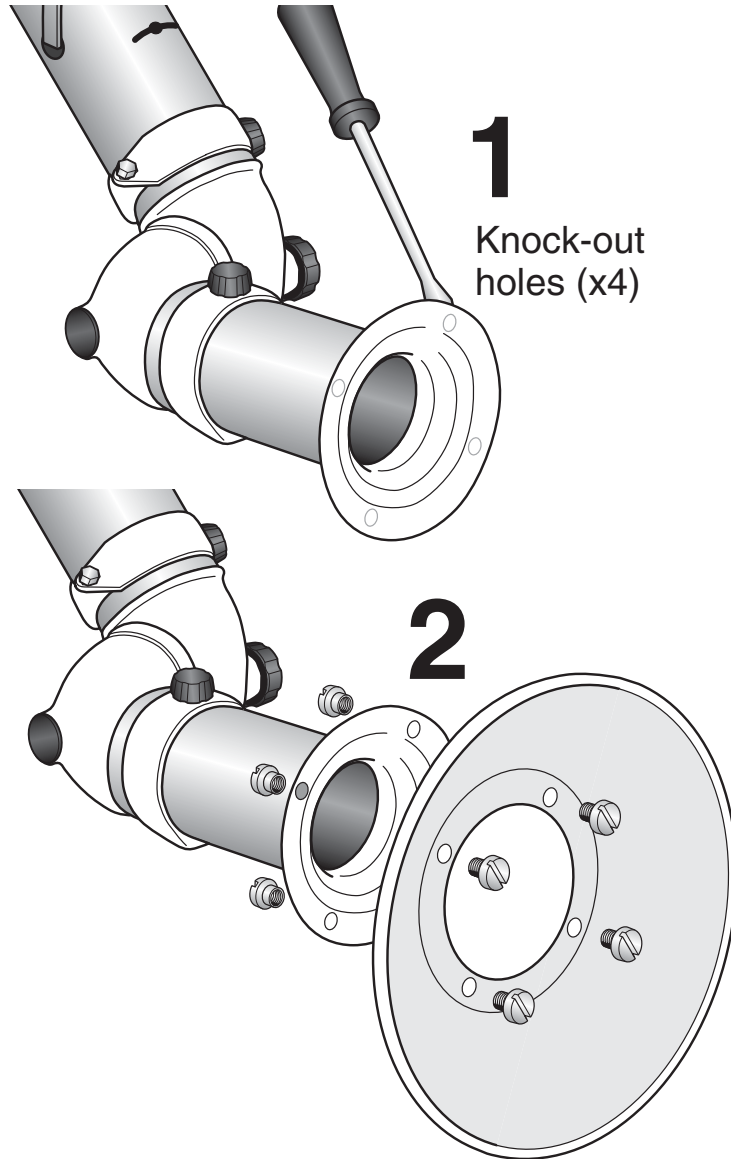


MOUNTING AND USER INSTRUCTION

Metal hood



Hood positioning

No. 148786/00
Date 2006-02-01

