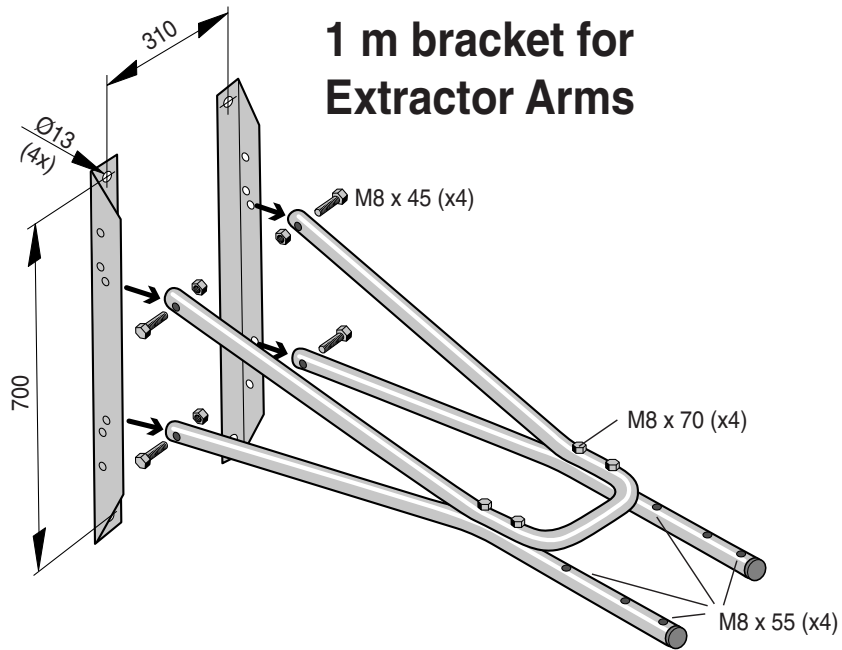


MOUNTING INSTRUCTION

No. 144082(00)
Dat. 2009-12-23



MOUNTING EXAMPLES

