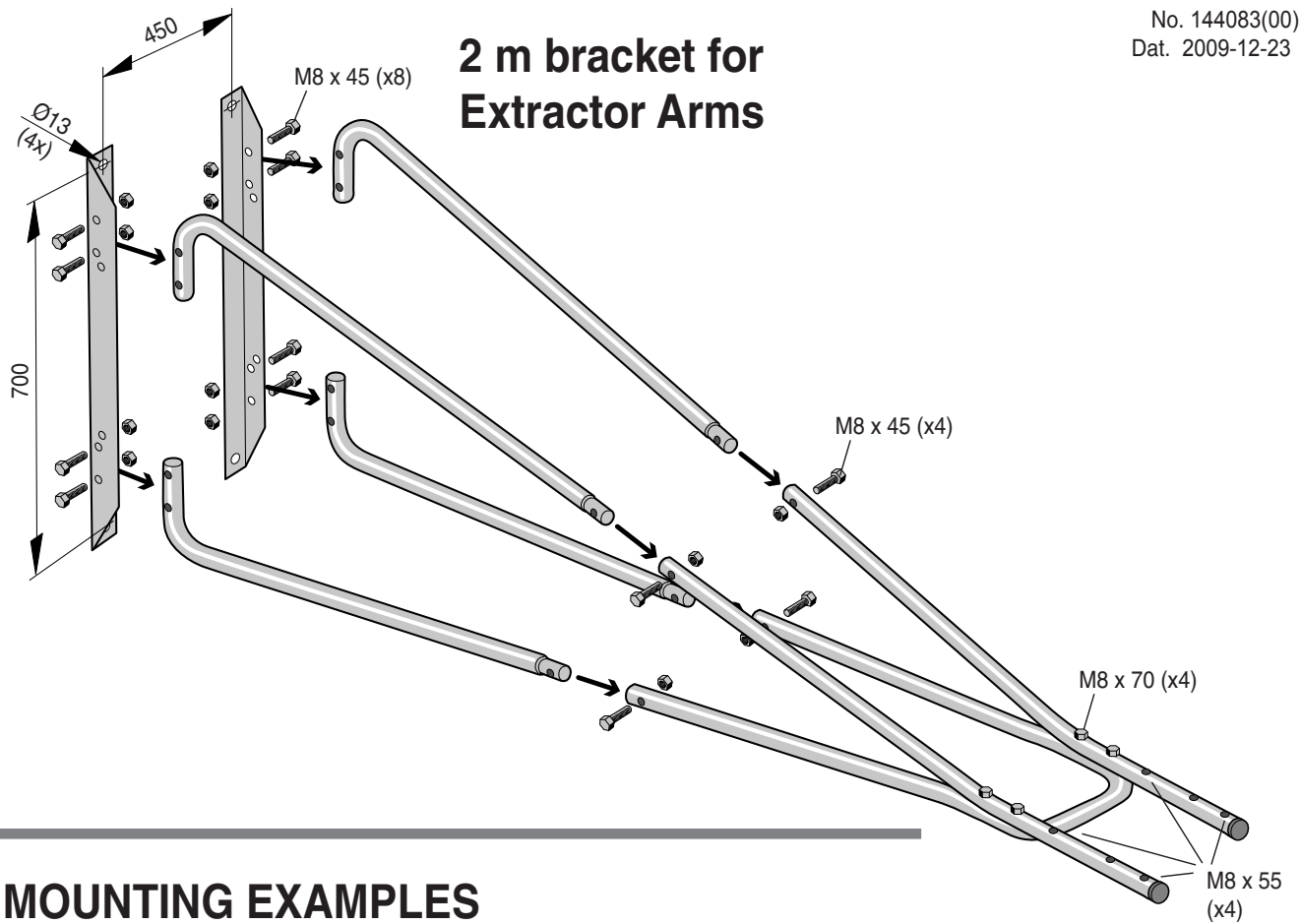


# MOUNTING INSTRUCTION

No. 144083(00)  
Dat. 2009-12-23



## MOUNTING EXAMPLES

