

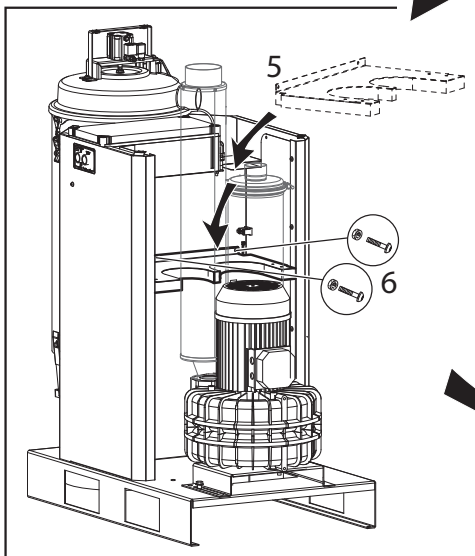
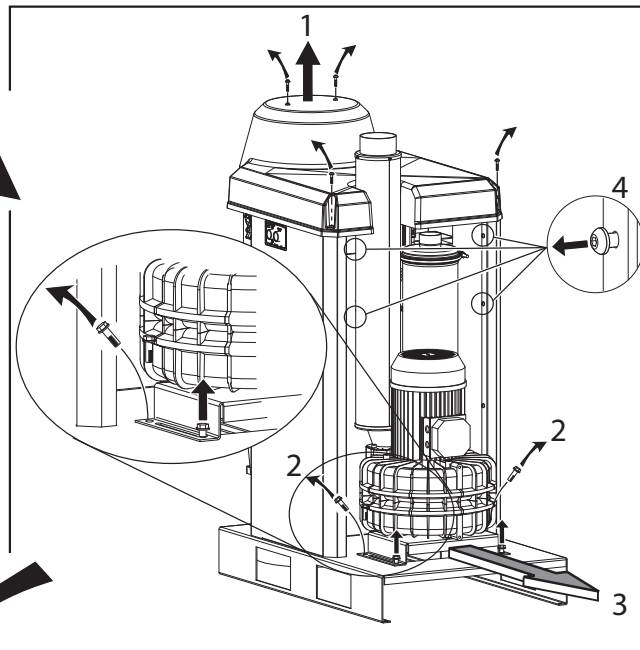
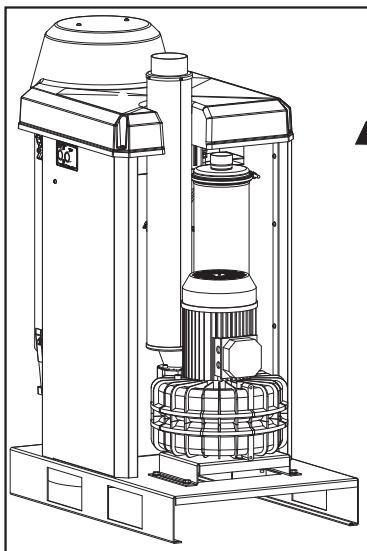
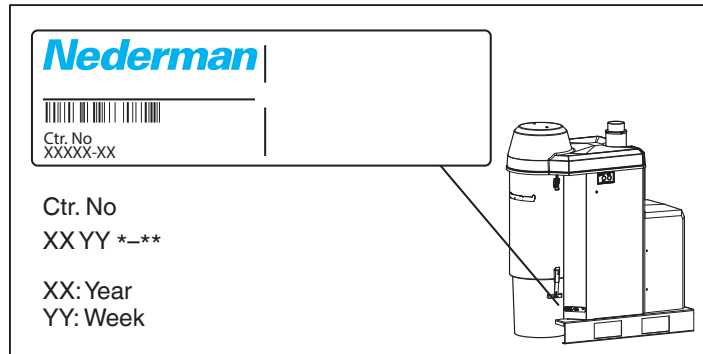
Mounting instruction

L-Pak 150/250 Silencer Hood



WARNING!

L-Pak 150/250 Silencer Hood is only to be used with an L-Pak 150/250 manufactured after June 1, 2012 (week 23 or later). See the ID plate on the L-Pak.



L-Pak 150/250 Silencer Hood

