

FilterCart FilterCart W3



Original user manual

EN USER MANUAL

Translation of original user manual

DA BRUGERVEJLEDNING

DE BEDIENUNGSANLEITUNG

ES MANUAL DE USUARIO

FI KÄYTTÖOHJE

FR MANUEL DE L'UTILISATEUR

IT MANUALE DELL'UTENTE

NL GEBRUIKERSHANDLEIDING

PL INSTRUKCJA OBSŁUGI

SV ANVÄNDARMANUAL

ZH 使用手册

Declaration of Conformity	4
Images	6
English	12
Dansk	19
Deutsch	26
Español	33
Suomi	40
Français	47
Italiano	54
Nederlands	61
Polski	68
Svenska	75
中文	82

Declaration of Conformity

EN English

Declaration of Conformity

We, AB Ph. Nederman & Co., declare under our sole responsibility that the Nederman product:

FilterCart W3 (Part No. **, and stated versions of **) to which this declaration relates, is in conformity with all the relevant provisions of the following directives and standards:

Directives

2006/42/EC, 2014/30/EC, 2011/65/EU.

Standards

EN ISO 12100:2010, EN 60204-1:2018, EN 61000-6-2:2019, EN 61000-6-4:2019, EN 61000-3-3:2013, EN ISO 20607:2019, EN ISO 21904-1:2020

W3: (IFA) Institut für Arbeitsschutz der Deutschen Gesetzlichen Unfallversicherung.

The name and signature at the end of this document is the person responsible for both the declaration of conformity and the technical file.

DE Deutch

Konformitätserklärung

Wir, AB Ph. Nederman & Co., erklären in alleiniger Verantwortung, dass das Nederman Produkt:

FilterCart W3 (Art.-Nr. **, und bauartgleiche Versionen **), auf welches sich diese Erklärung bezieht, mit allen einschlägigen Bestimmungen der folgenden Richtlinien und Normen übereinstimmt:

Richtlinien

2006/42/EC, 2014/30/EC, 2011/65/EU.

Standards

EN ISO 12100:2010, EN 60204-1:2018, EN 61000-6-2:2019, EN 61000-6-4:2019, EN 61000-3-3:2013, EN ISO 20607:2019, EN ISO 21904-1:2020

W3: (IFA) Institut für Arbeitsschutz der Deutschen Gesetzlichen Unfallversicherung.

Der Name und die Unterschrift am Ende dieses Dokuments sind die für die Konformitätserklärung und die technischen Unterlagen verantwortlichen Personen.

FI Suomi

Vaatimustenmukaisuusvakuutus

Me, AB Ph. Nederman & Co., vakuutamme yksinomaan omalla vastuullamme, että Nederman tuote:

FilterCart W3 (tuotenro ** ja **:n määritetyt versiot), jota tämä vakuutus koskee, on seuraavien direktiivien ja standardien kaikkien sovellettavien määräysten mukainen:

Direktiivit

2006/42/EC, 2014/30/EC, 2011/65/EU.

Standardit

EN ISO 12100:2010, EN 60204-1:2018, EN 61000-6-2:2019, EN 61000-6-4:2019, EN 61000-3-3:2013, EN ISO 20607:2019, EN ISO 21904-1:2020

W3: (IFA) Institut für Arbeitsschutz der Deutschen Gesetzlichen Unfallversicherung.

Tämä asiakirjan lopussa oleva nimi ja allekirjoitus ovat henkilön, joka vastaa sekä vaatimustenmukaisuusvakuutuksesta että teknisestä tiedostosta.

DA Dansk

Overensstemmelseserklæring

AB Ph. Nederman & Co., erklærer som eneansvarlige, at følgende produkt fra Nederman:

FilterCart W3 (Artikel nr. **, og erklærede versioner af **), som denne erklæring vedrører, er i overensstemmelse med alle de relevante bestemmelser i de følgende direktiver og standarder:

Direktiver

2006/42/EC, 2014/30/EC, 2011/65/EU.

Standarder

EN ISO 12100:2010, EN 60204-1:2018, EN 61000-6-2:2019, EN 61000-6-4:2019, EN 61000-3-3:2013, EN ISO 20607:2019, EN ISO 21904-1:2020

W3: (IFA) Institut für Arbeitsschutz der Deutschen Gesetzlichen Unfallversicherung.

Navnet og underskriften sidst i dette dokument tilhører den person, der er ansvarlig for såvel overensstemmelseserklæringen som den tekniske dokumentation.

ES Español

Declaración de Conformidad

Nosotros, AB Ph. Nederman & Co., declaramos bajo nuestra exclusiva responsabilidad que el producto de Nederman, FilterCart W3 (Ref. n.º ** y las versiones indicadas de **), al que hace referencia esta declaración, cumple con todas las provisiones relevantes de las Directivas y normas que se indican a continuación:

Directivas

2006/42/EC, 2014/30/EC, 2011/65/EU.

Normas

EN ISO 12100:2010, EN 60204-1:2018, EN 61000-6-2:2019, EN 61000-6-4:2019, EN 61000-3-3:2013, EN ISO 20607:2019, EN ISO 21904-1:2020

W3: (IFA) Institut für Arbeitsschutz der Deutschen Gesetzlichen Unfallversicherung.

El nombre y firma que figuran al final de este documento corresponden a la persona responsable, tanto de la declaración como de la ficha técnica.

FR Français

Déclaration de Conformité

Nous, AB Ph. Nederman & Co., déclarons sous notre seule responsabilité que le produit Nederman :

FilterCart W3 (réf. ** et versions indiquées de **) auquel fait référence la présente déclaration est en conformité avec toutes les dispositions applicables des directives et normes suivantes :

Directives

2006/42/EC, 2014/30/EC, 2011/65/EU.

Normes

EN ISO 12100:2010, EN 60204-1:2018, EN 61000-6-2:2019, EN 61000-6-4:2019, EN 61000-3-3:2013, EN ISO 20607:2019, EN ISO 21904-1:2020

W3: (IFA) Institut für Arbeitsschutz der Deutschen Gesetzlichen Unfallversicherung.

Le nom et la signature à la fin de ce document sont ceux de la personne responsable de la déclaration de conformité et du fichier technique.

IT Italiano**Dichiarazione di Conformità**

AB Ph. Nederman & Co., dichiara sotto la propria esclusiva responsabilità che il prodotto Nederman:

FilterCart W3 (Art. N. **, e le versioni di detto **) al quale è relativa la presente dichiarazione, è conforme alle disposizioni delle seguenti direttive e normative:

Direttive

2006/42/EC, 2014/30/EC, 2011/65/EU.

Normative

EN ISO 12100:2010, EN 60204-1:2018, EN 61000-6-2:2019, EN 61000-6-4:2019, EN 61000-3-3:2013, EN ISO 20607:2019, EN ISO 21904-1:2020

W3: (IFA) Institut für Arbeitsschutz der Deutschen Gesetzlichen Unfallversicherung.

Il nome e la firma in calce al presente documento appartengono al responsabile della dichiarazione di conformità e della documentazione tecnica.

PL Polski**Deklaracja Zgodności**

My, AB Ph. Nederman & Co. niniejszym oświadczamy na naszą własną odpowiedzialność, że Nederman produkt:

FilterCart W3 [nr części ** oraz wskazane wersje **], który jest przedmiotem niniejszej deklaracji, spełnia wszystkie odpowiednie wymagania wymienionych niżej dyrektyw i norm:

Dyrektywy

2006/42/EC, 2014/30/EC, 2011/65/EU.

Normy

EN ISO 12100:2010, EN 60204-1:2018, EN 61000-6-2:2019, EN 61000-6-4:2019, EN 61000-3-3:2013, EN ISO 20607:2019, EN ISO 21904-1:2020

W3: (IFA) Institut für Arbeitsschutz der Deutschen Gesetzlichen Unfallversicherung.

Na końcu niniejszego dokumentu znajdują się imię i nazwisko oraz podpis osoby odpowiedzialnej za deklarację zgodności oraz dokumentację techniczną.

ZH 中文**符合性声明**

我们瑞典 AB Ph. Nederman & Co. 公司郑重声明：

与本声明相关的 Nederman 产品 FilterCart W3 (零件号：**, 并指出版本**) 符合以下指令和标准的所有相关条例：

指令

2006/42/EC, 2014/30/EC, 2011/65/EU.

标准

EN ISO 12100:2010, EN 60204-1:2018, EN 61000-6-2:2019, EN 61000-6-4:2019, EN 61000-3-3:2013, EN ISO 20607:2019, EN ISO 21904-1:2020

W3: (IFA) Institut für Arbeitsschutz der Deutschen Gesetzlichen Unfallversicherung.

此文档末尾的名字和签名即为符合性声明和技术文件的负责人。

NL Nederlands**Conformiteitsverklaring**

Wij, AB Ph. Nederman & Co., verklaren onder onze verantwoordelijkheid dat het Nederman product:

FilterCart W3 (artikelnr. **, en vermelde uitvoeringen van **) waarop deze verklaring betrekking heeft, in overeenstemming is met alle relevante bepalingen van de volgende richtlijnen en normen:

Richtlijnen

2006/42/EC, 2014/30/EC, 2011/65/EU.

Normen

EN ISO 12100:2010, EN 60204-1:2018, EN 61000-6-2:2019, EN 61000-6-4:2019, EN 61000-3-3:2013, EN ISO 20607:2019, EN ISO 21904-1:2020

W3: (IFA) Institut für Arbeitsschutz der Deutschen Gesetzlichen Unfallversicherung.

Naam en handtekening onder dit document zijn van degene die verantwoordelijk is voor zowel de Verklaring van Overeenstemming als het technische document.

SV Svenska**Överensstämmelsedeklaration**

Vi, AB Ph. Nederman & Co., förklarar under vårt fulla ansvar att Nederman-produkten:

FilterCart W3 (artikelnummer **, och angivna versioner av **) som denna deklaration avser, är i överensstämmelse med alla relevanta bestämmelser i följande direktiv och standarder:

Direktiv

2006/42/EC, 2014/30/EC, 2011/65/EU.

Standarder

EN ISO 12100:2010, EN 60204-1:2018, EN 61000-6-2:2019, EN 61000-6-4:2019, EN 61000-3-3:2013, EN ISO 20607:2019, EN ISO 21904-1:2020

W3: (IFA) Institut für Arbeitsschutz der Deutschen Gesetzlichen Unfallversicherung.

Namnet och signaturen i slutet av detta dokument är den person som ansvarar för både försäkran om överensstämmelse och den tekniska fi-len.

**

12635345, 12635445, 12635645, 12635745



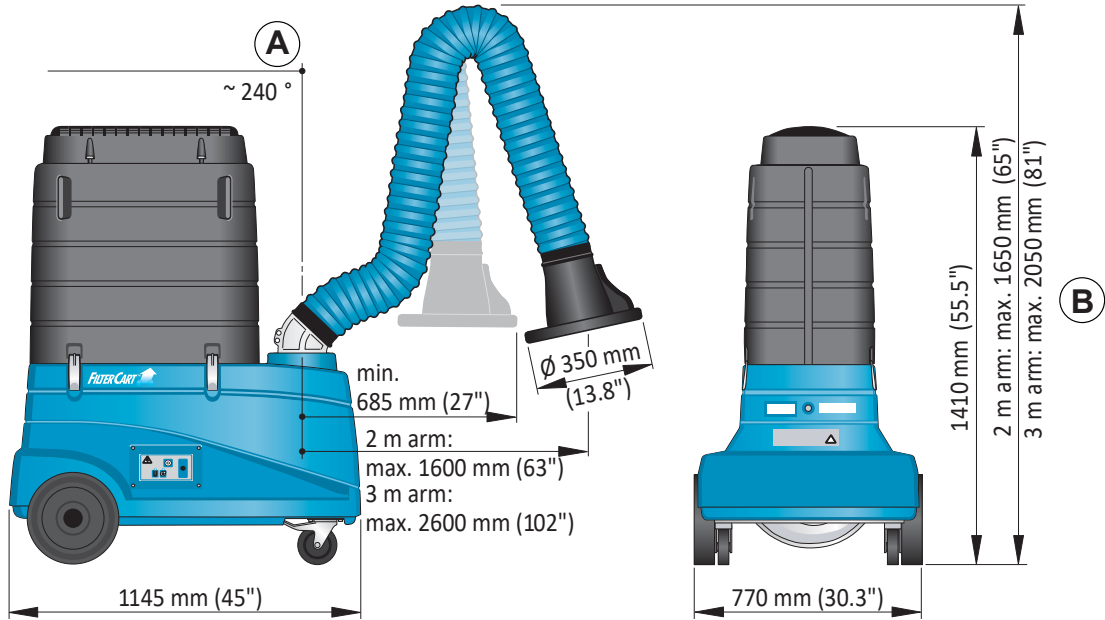
AB Ph. Nederman & Co.
P.O. Box 602
SE-251 06 Helsingborg
Sweden

Anna Cederlund
Product Center Manager
Technical Product Management
2025-02-13

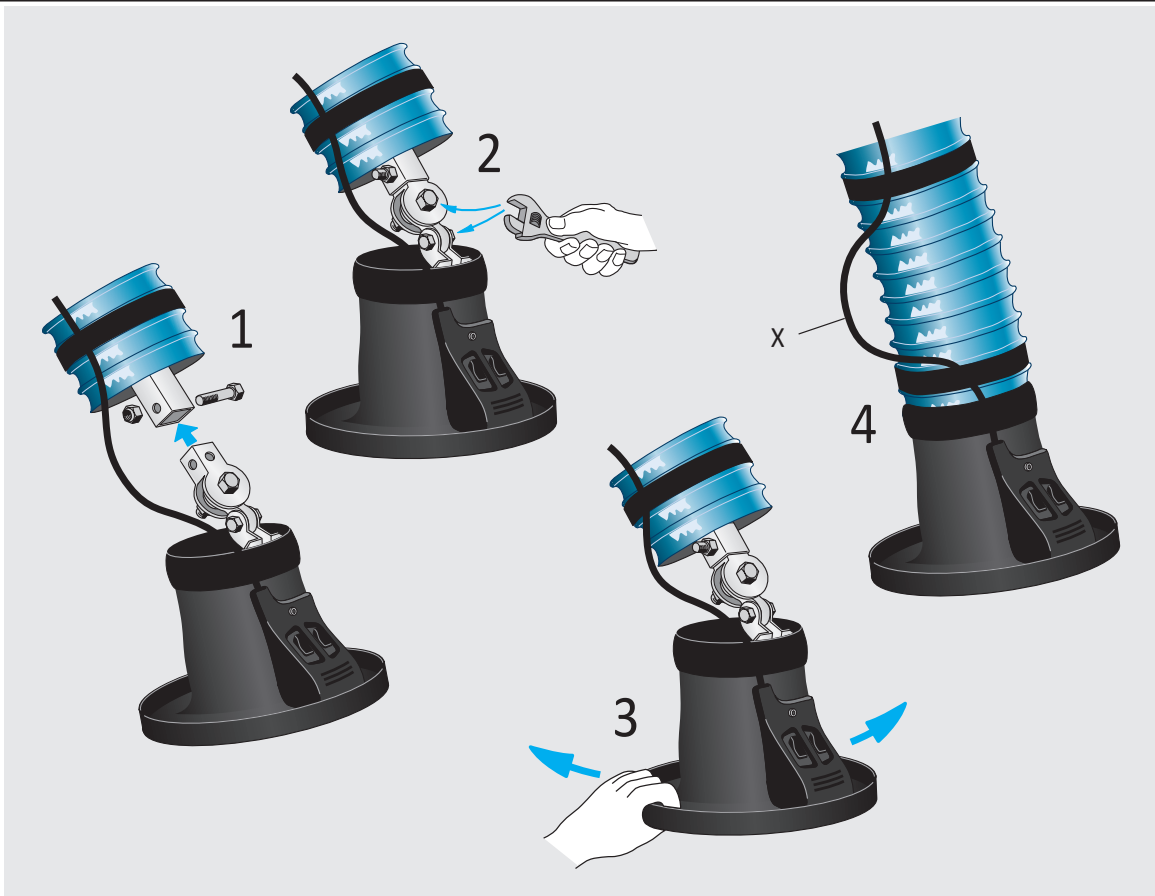


Images

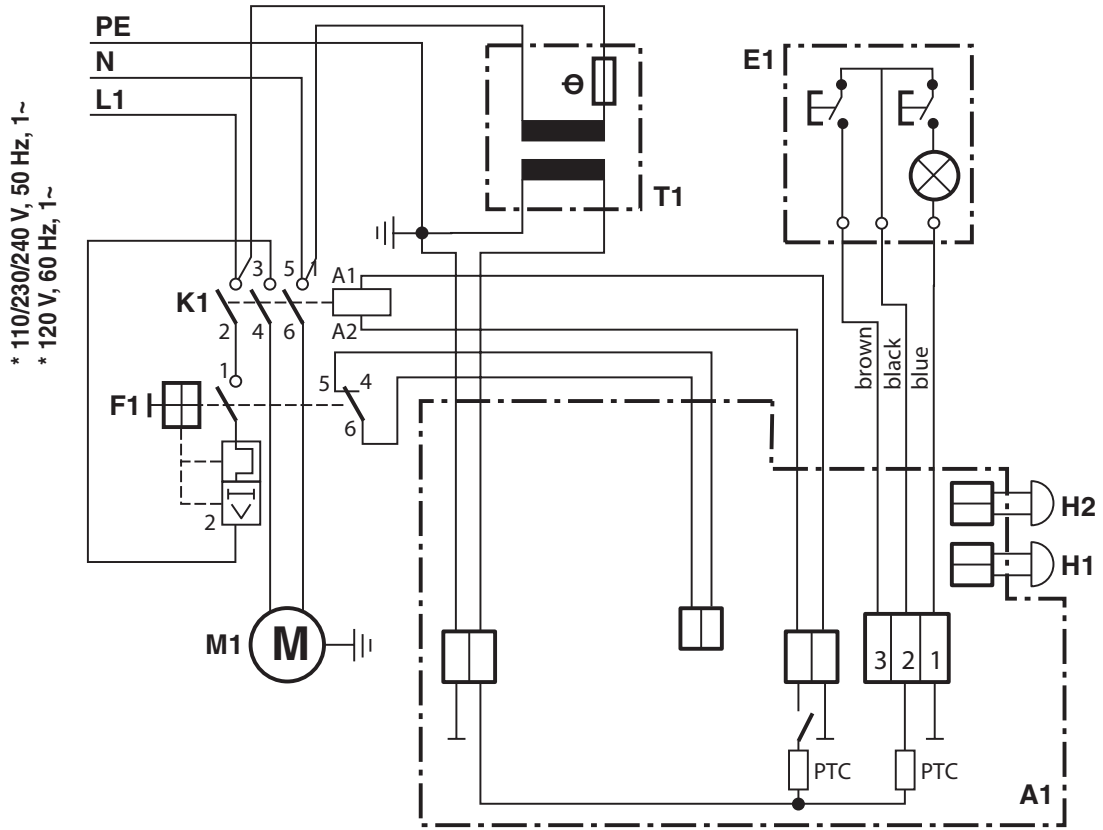
1



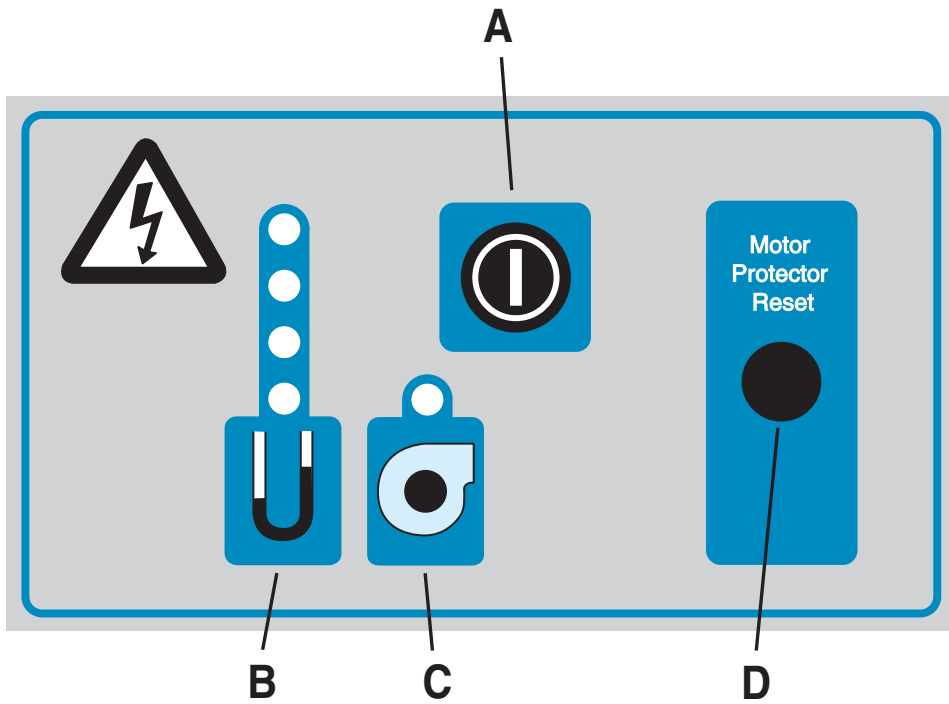
2



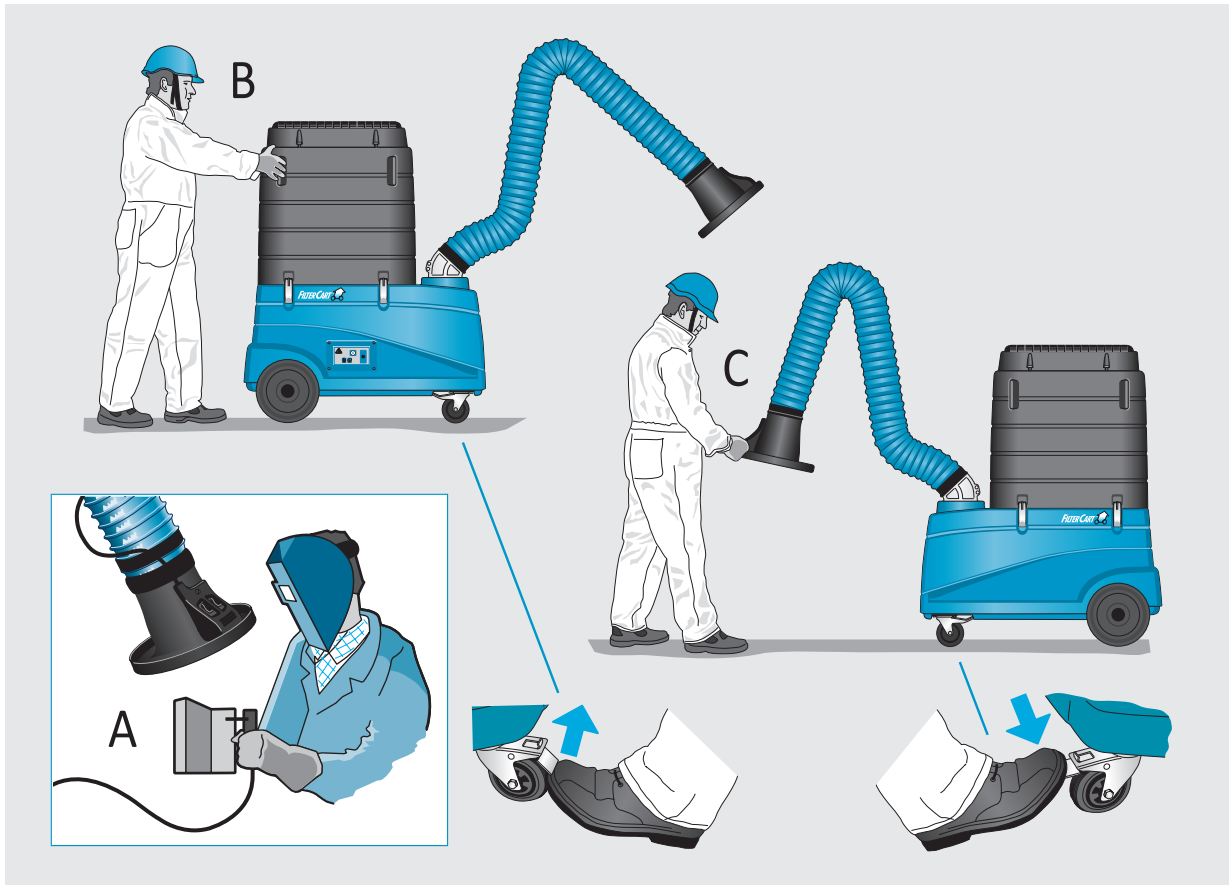
3



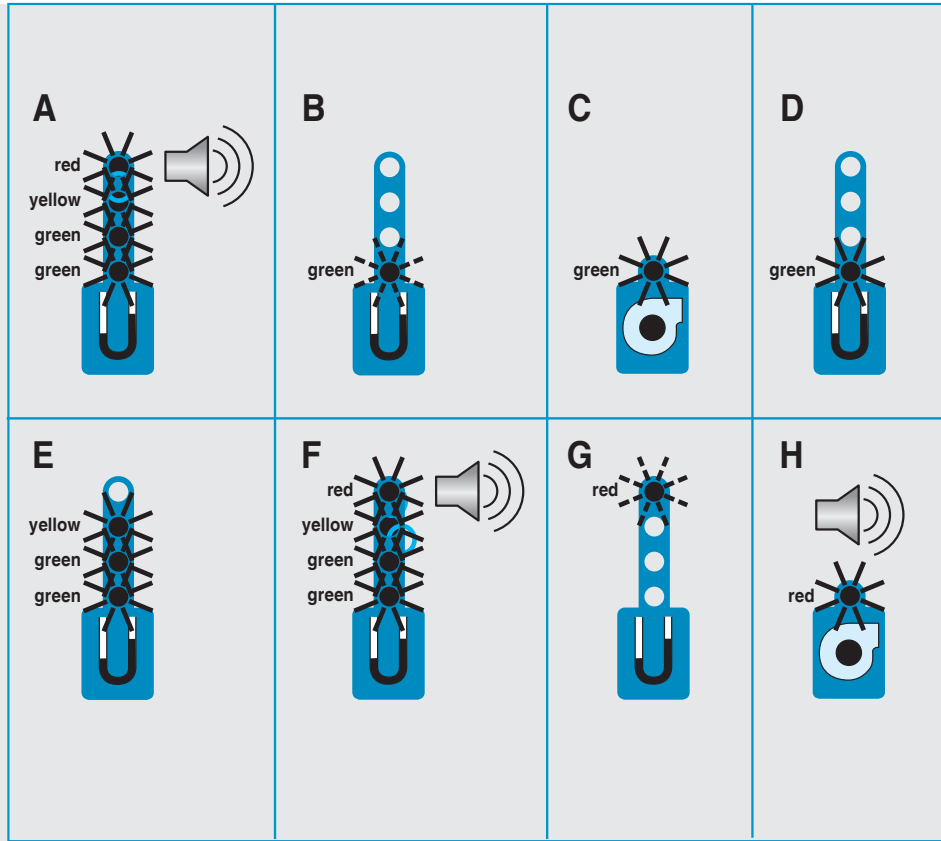
4



5



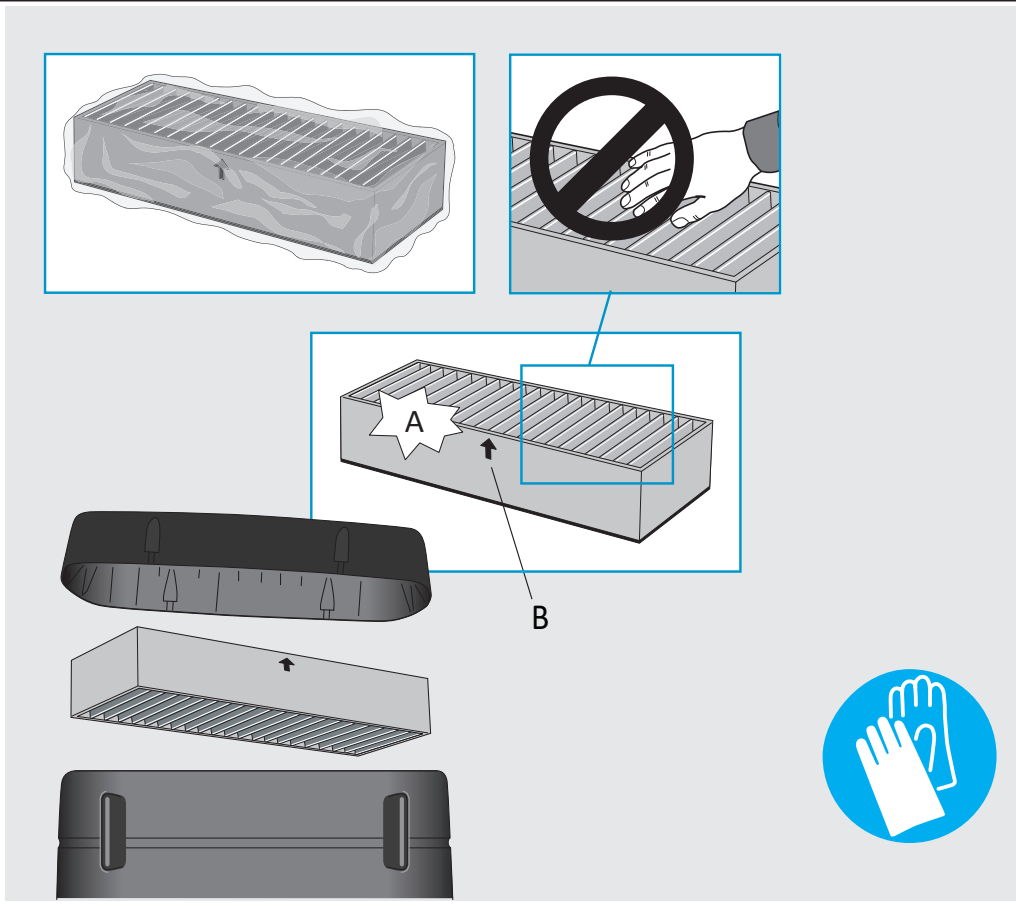
6



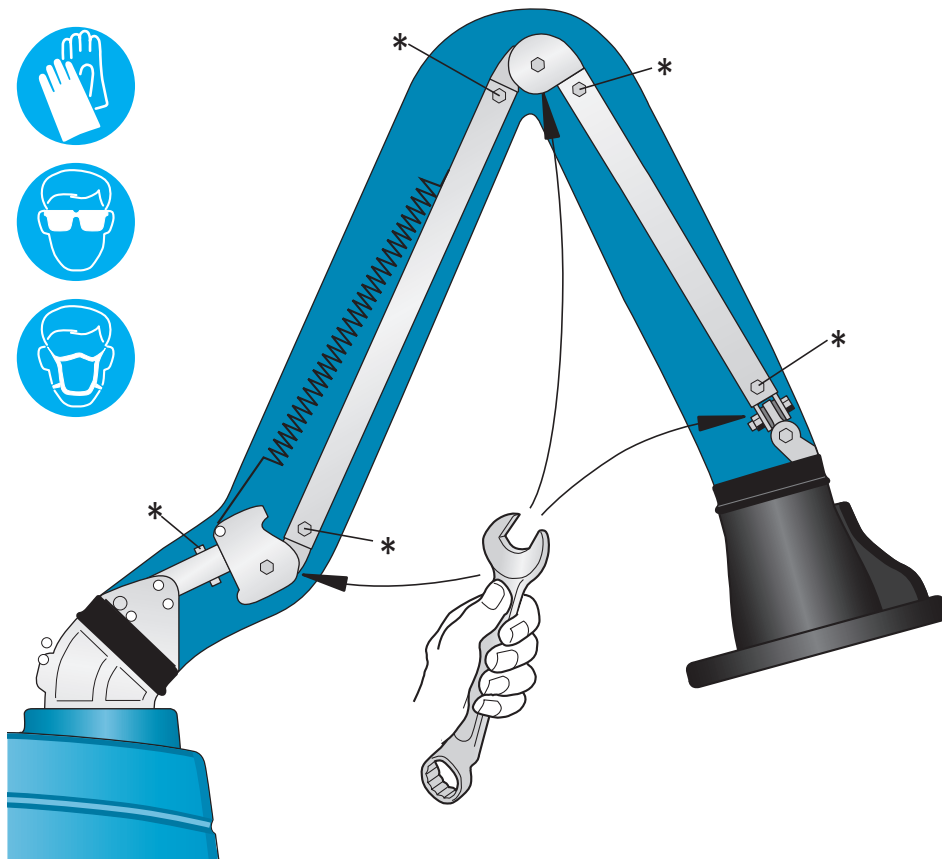
7



8



9



10

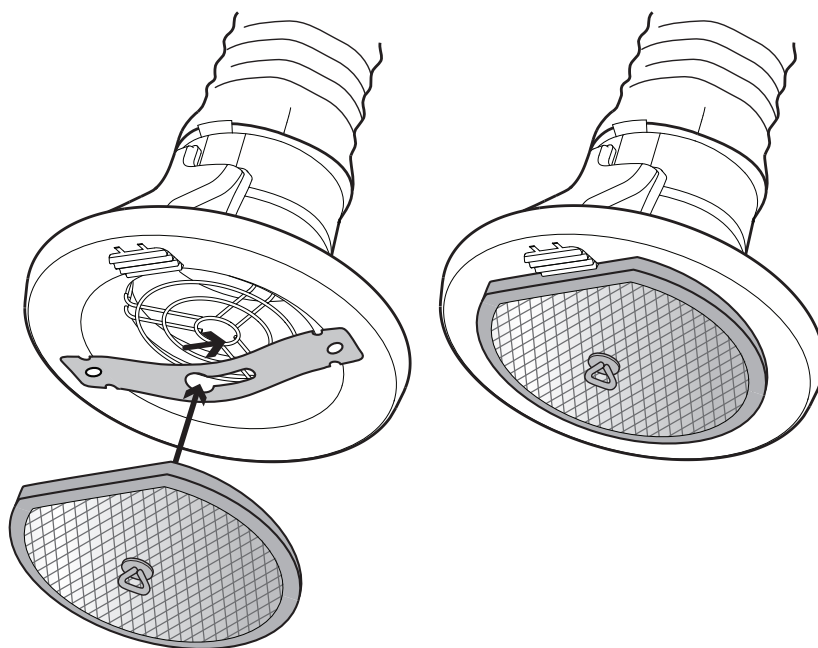


Table of contents

Images	6
1 Preface	13
2 Safety	13
2.1 Classification of important information	13
2.2 General safety instructions	13
3 Description	14
3.1 Overload protector	14
3.2 Control panel indications	14
3.3 Dimensions	14
3.4 Technical data	15
4 Installation	16
4.1 Initial operation	16
4.2 Fitting the Fume Extractor hood	16
4.3 Wiring diagram	16
5 Directions for use	16
6 Maintenance	16
6.1 Changing the filter cartridge	17
6.2 Changing the HEPA-filter (accessory)	17
7 Spare Parts	18
7.1 Ordering spare parts	18
8 Accessories	18
9 Recycling	18

1 Preface

Thank you for using a Nederman product!

The Nederman Group is a world-leading supplier and developer of products and solutions for the environmental technology sector. Our innovative products will filter, clean and recycle in the most demanding of environments. Nederman's products and solutions will help you improve your productivity, reduce costs and also reduce the impact on the environment from industrial processes.

Read all product documentation and the product identification plate carefully before installation, use, and service of this product. Replace documentation immediately if lost. Nederman reserves the right, without previous notice, to modify and improve its products including documentation.

This product is designed to meet the requirements of relevant EC directives. To maintain this status, all installation, maintenance, and repair is to be done by qualified personnel using only Nederman original spare parts and accessories. Contact the nearest authorized distributor or Nederman for advice on technical service and obtaining spare parts. If there are any damaged or missing parts when the product is delivered, notify the carrier and the local Nederman representative immediately.

2 Safety

2.1 Classification of important information

This document contains important information that is presented either as a warning, caution or note, according to the following examples:



WARNING! Risk of personal injury

Warnings indicate a potential hazard to the health and safety of personnel, and how that hazard may be avoided.



CAUTION! Risk of equipment damage

Cautions indicate a potential hazard to the product but not to personnel, and how that hazard may be avoided.



NOTE!

Notes contain other information that is important for personnel.

2.2 General safety instructions



WARNING! Risk of personal injury

- In case of fire, smoke from FilterCart W3 may contain hazardous substances such as burning polycarbonate, PVC, polyethylene, etc. Also, depending on the material being separated, there may be hazardous smoke from the separated dust.
- The product must not be used in an environment with the danger of explosion or for dust or gases in explosive concentrations.
- If the product has been used for dust applications it must not be used for welding fumes or grinding dust.
- Check that no sparks or other objects that can cause fire are sucked into the arm. For welding applications generating a high amount of sparks, spark protection (accessory) must be mounted in the hood to reduce the risk of fire. See [Image 10](#).
- The product must not be used for extracting toxic substances (except welding fume).
- The product must not be used without filter cartridge and casing.
- The product must not be used in closed rooms without general ventilation.
- Only properly trained personnel are allowed to use this product.

EN 3 Description

FilterCart W3 filters out pollutants such as fumes and dust, class W3. Moreover it filters out welding fumes containing CMR (Carcinogenic Mutagenic Reprotoxic) substances, e.g. generated by welding high alloyed steels or welding consumables with more than 5 % (Cr, Ni).

The FilterCart W3 is only intended for indoor use and is designed for extraction and filtration of welding fumes, class W3. The hood is provided with an efficient spotlight.

**NOTE!**

The FilterCart W3 does not have any connections for the channelling of exhaust air.

3.1 Overload protector

See [Image 4](#). The FilterCart W3 is equipped with an overload protector which means that the power will disconnect automatically if the fan motor is overloaded.

- C: Red light indicates disconnected power and released overload protector.
- D: Button for re-setting the overload protector.

3.2 Control panel indications

See [Image 6](#).

- A When the mains plug is connected the light emission diodes indicate fixed light and an alarm signal sounds for a short time.
- B The light emitting diode indicates a blinking green light: The FilterCart W3 has been connected to the mains (stand by).
- C As the FilterCart W3 has been started the light emission diode indicates fixed green light. The fan is in operation.
- D The FilterCart W3 is ready for use and after a while, the light-emitting diode indicates fixed green light. After use for a certain time, the airflow will be reduced through the extraction arm and the pressure drop will increase, which will result in having to change the filter cartridge.
- E The light emitting diodes indicate fixed light: The pressure drop has increased. Pre-warning for changing the filter cartridge.
- F The light-emitting diodes indicate fixed light and after about 30 s an intermittent alarm signal starts. Change the filter cartridge. If you want to finish the work in progress before the filter cartridge is changed, the alarm signal can be stopped by pushing once on the start button. The alarm signal activates after about 10 minutes. Pushing twice on the start button makes a fan stop. As an alternative, the fan can be stopped with the switch on the Fume Extractor hood.
- G The light emitting diode indicates blinking red light = alarm memory. The FilterCart W3 has been stopped after the alarm start (according to above), for example at work shifts. The filter cartridge has to be changed.
- H The light emitting diode indicates fixed red light and an intermittent alarm signal starts. The overload protector has been released. Examine the reason and reset the overload protector by pushing the "Motor Protector Reset"- button.

3.3 Dimensions

See [Image 1](#).

A: Horizontally swivelling arm.

B: Depending on arm.

3.4 Technical data

FilterCart W3	
Capacity	675-1050 m ³ /h (397-620 cfm)
Filtration efficiency, main filter	> 99 % average weight filtration efficiency. Minimum Efficiency W3 (99%), EN ISO 15012-1, MERV 14 (ASHRAE 52.2) *.
Filtration efficiency, HEPA-filter (accessory)	> 99.95 % H13 *
Filter area, main filter	30 m ² (323 ft ²)
Filter area, HEPA-filter (accessory)	7.5 m ² (81 ft ²)
Motor power	0.75 kW (1 hp)
Voltage **	110/120/230/240 V
Phase	1 ~
Frequency **	50/60 Hz
Transformer	24 V secondary
Spotlight	LED 24 V, 5W/6VA
Alarm signal	acoustic, 2.9 kHz
Extraction arm, action radius	maximum 2 m (6 ft 7 in) or 3 m (9 ft 10 in)
Extraction arm, swivelling	approx. 240°
Weight	<ul style="list-style-type: none"> • 71 kg (156 lb) with 2 m arm • 73 kg (161 lb) with 3 m arm
Temperature, max. ambient temp.	40 °C (104 °F)
Temperature, max. airflow temp.	60 °C (140 °F)
Noise level, measured according to ISO 11204.	73 dB(A)
Material recycling	90% by weight, without filter cartridge
Protection class	IP42

* See the filter cartridge information for more specific data.

** Depending on the model.

EN 4 Installation

4.1 Initial operation

See [Image 4](#).

- 1 Ensure the FilterCart W3 has not been damaged during transport.
- 2 Check that the mains voltage is the same as on the sign plate.
- 3 Connect the connection cable with the plug to the mains. The light-emitting diodes at B indicate fixed light and an alarm signal sounds for a short time. The light diode at C indicates a blinking green light (stand by).
- 4 Start the FilterCart W3 with the switch A or as an alternative with the switch on the hood of the extractor arm.
- 5 The light emission at C indicates fixed green light: The fan operates.

4.2 Fitting the Fume Extractor hood

The Fume Extractor arm is already fitted. The hood must be fitted according to [Image 2](#). Adjust the links so that the hood easily can be positioned.



NOTE!

X: Cable with loop.

4.3 Wiring diagram

See [Image 3](#).

- M1: Fan motor, 0.75 kW (1 hp).
- A1: Circuit card.
- T1: Transformer, 24 V secondary.
- K1: Relay, fan.
- F1: Overload protector relay.
- E1: Spotlight, 20 W, 24 V.
- H1: Alarm signal, 2.9 kHz.
- H2: Alarm signal, 2.9 kHz.

* Voltage: depending on the model.

5 Directions for use

See [Section 4.1 Initial operation](#) and [Image 5](#).

- The hood of the extraction arm is to be positioned as close to the pollution source as possible, see item A.



NOTE!

For specific positioning details, see the separate manual for the hood.

- The FilterCart W3 is to be moved from behind according to item B and with the wheels unlocked.
- The extraction arm is to be positioned with the wheels locked according to item C.

6 Maintenance



WARNING! Risk of personal injury

- Disconnect the mains connection cable before starting any maintenance work.
- Use the necessary personal safety equipment.
- FilterCart W3 needs to be cleaned before any disassembly.
- FilterCart W3 must only be disassembled in a well-ventilated room.
- Use proper equipment, such as a vacuum cleaner to clean FilterCart W3.
- The area where maintenance is done must be properly cleaned after work is complete.

See [Image 9](#). Maintenance is recommended at least once a year. Do as follows:

- Change the filter cartridge (and optional HEPA-filter) if necessary, see [Section 6.1 Changing the filter cartridge](#)

- Check that the Fume Extractor hose is not damaged. If necessary change the hose.
- Check that the hose to the fan inlet is not damaged. If necessary change the hose.
- Check that no objects have been caught on the guard net on the fan inlet.
- Check that the pressure drop hose (from the control board) not is damaged and is fitted properly.
- If necessary, adjust the Fume Extractor links.
- If necessary, tighten the arm profile bolts, see the * symbols in [Image 9](#).
- Check that the mains connection cable and the fan motor cable are not worn out or damaged.
- Check that the eccentric locks tighten the filter casing properly. Adjust the eccentric locks if necessary. See [Section 6.1 Changing the filter cartridge](#).

6.1 Changing the filter cartridge

See [Image 7](#). The filter cartridge is disposable and is to be thrown away after use. The life span of the filter cartridge varies greatly depending on how the FilterCart W3 is used and how much and what type of pollutants are collected.

Regularly check the light-emitting diodes on the pressure drop symbol on the control board to know when to change the filter cartridge, see [Section 3.2 Control panel indications](#). Always check that the hoses for the extraction arm and the fan inlet are undamaged before it is decided to replace the filter cartridge.



WARNING! Risk of personal injury

Use necessary personal safety equipment when replacing the filter cartridges.

Change the filter cartridge in the following way:

- 1 Disconnect the mains connection cable.
- 2 Unlock the eccentric locks and remove the filter casing.
- 3 Use the plastic bag which comes with the new filter cartridge and pull it over the used cartridge. Fold the plastic bag under the cartridge.
- 4 Use a duster to wipe off the filter cartridge contact surfaces in the FilterCart W3. Put the duster in the plastic bag with the filter cartridge and close the bag with the band supplied.
- 5 Handle the used filter cartridge according to the relevant regulations for the substances that have been collected.
- 6 Check that the pressure drop hose (from the control board) not is damaged and is fitted properly.
- 7 Check that the new filter cartridge is not damaged. Also, check that the seal fitted on the underside of the cartridge is not damaged. Then fit the cartridge on the FilterCart W3.
- 8 Refit the filter casing. Make sure the eccentric locks tighten the filter casing properly.
 - A: Increasing the locking power.
 - B: Decreasing the locking power.

6.2 Changing the HEPA-filter (accessory)

See [Image 8](#). If the FilterCart W3 has been supplied with a HEPA-filter, this is to be changed at the same time as the main filter cartridge is changed.



WARNING! Risk of personal injury

Use necessary personal safety equipment when changing the HEPA-filter.

Change the HEPA-filter cartridge in the following way:

- 1 Disconnect the mains connection cable.
- 2 Unscrew the top cover.
- 3 Remove the used HEPA-filter and put it in the plastic bag which comes with the new HEPA filter. Close the plastic bag with the band supplied.
- 4 Handle the used HEPA-filter according to the relevant regulations for the substances that have been collected.
- 5 Check that the new HEPA-filter, item A, is not damaged.



NOTE!

The filter surface must not be touched.

- 6 Verify that the UP-arrow, item B, is pointing upwards. Handle the HEPA-filter very carefully and fit it in the FilterCart W3. Ensure it is fitted in the correct position and that the seal is downwards. Check that the seal not is damaged.
- 7 Refit the top cover. Fasten it securely.

7 Spare Parts

**CAUTION! Risk of equipment damage**

Use only Nederman original spare parts and accessories.

Contact your nearest authorized distributor or Nederman for advice on technical service or if you require help with spare parts. See also www.nederman.com.

7.1 Ordering spare parts

When ordering spare parts always state the following:

- The part number and control number (see the product identification plate).
- Detail number and name of the spare part (see www.nederman.com/en/service/spare-part-search).
- Quantity of the parts required.

8 Accessories

- HEPA-filter H13, 7.5 m² (81 ft²) high-efficiency final filter, class H13.
- Spark protection, for mounting in the hood. To reduce the risk of fire.

9 Recycling

The product has been designed for component materials to be recycled. Different material types must be handled according to relevant local regulations. Contact the distributor or Nederman if uncertainties arise when scrapping the product at the end of its service life.

Indholdsfortegnelse

Billeder	6
1 Forord	20
2 Sikkerhed	20
2.1 Klassificering af vigtige oplysninger	20
2.2 Generelle sikkerhedsanvisninger	20
3 Beskrivelse	21
3.1 Overbelastningssikring	21
3.2 Indikatorer på kontrolpanelet	21
3.3 Dimensioner	21
3.4 Tekniske data	22
4 Installation	23
4.1 Første opstart	23
4.2 Montere røggassugerens hætte	23
4.3 Ledningsdiagram	23
5 Brugsanvisning	23
6 Vedligeholdelse	23
6.1 Udskiftning af filterindsatsen	24
6.2 Udskiftning af HEPA-filter (tilbehør)	24
7 Reservdele	25
7.1 Bestilling af reservedele	25
8 Tilbehør	25
9 Genbrug	25

1 Forord

Tak, fordi du har valgt et Nederman-produkt!

DA

Nederman Group er en af verdens førende leverandører og udviklere af produkter og løsninger til miljøteknologisektoren. Vores innovative produkter sørger for filtrering, rensning og genvinding i de mest krævende miljøer. Nedermans produkter og løsninger hjælper dig med at øge produktiviteten, nedbringe omkostningerne og reducere miljøpåvirkningen fra industrielle processer.

Læs al produktdokumentation og produktets typeskilt omhyggeligt før installation, brug og servicering af dette produkt. Sørg for at genanskaffe dokumentationen, hvis den bliver væk. Nederman forbeholder sig retten til at modificere og forbedre sine produkter, herunder dokumentationen, uden forudgående varsel.

Dette produkt er konstrueret til at opfylde kravene i de relevante EU-direktiver. For at opretholde denne status skal alt arbejde i forbindelse med installation, reparation og vedligeholdelse udføres af uddannet personale, og der må kun anvendes originale reservedele og originalt tilbehør fra Nederman. Kontakt nærmeste autoriserede forhandler eller Nederman for at få råd om teknisk service og anskaffelse af reservedele. Hvis produktet leveres med defekte eller manglende dele, skal speditøren og den lokale Nederman-repræsentant straks orienteres herom.

2 Sikkerhed

2.1 Klassificering af vigtige oplysninger

Dette dokument indeholder vigtige oplysninger, der vises som enten en advarsel, en forsigtighedsregel eller en bemærkning. Se de følgende eksempler:



ADVARSEL! Risiko for personskade

Advarsler angiver, at personalets sundhed og sikkerhed udsættes for en potentiel fare, og hvordan faren kan undgås.



FORSIGTIG! Risiko for beskadigelse af udstyr

Forsigtighedsregler angiver, at produktet, men ikke personalet, udsættes for en potentiel fare, og hvordan faren kan undgås.



BEMÆRK!

Noter indeholder andre oplysninger, som brugeren skal være specielt opmærksom på.

2.2 Generelle sikkerhedsanvisninger



ADVARSEL! Risiko for personskade

- I tilfælde af brand kan røg fra FilterCart W3 indeholde farlige stoffer så som brændende polycarbonat, PVC, polyetylen etc. Desuden kan der forekomme farlig røg fra det filtrerede støv, afhængigt af det filtrerede materiale.
- Enheden må ikke anvendes i et miljø, hvor der er risiko for eksplosion, eller hvor der er støv eller gasser i eksplosive koncentrationer.
- Hvis enheden er blevet anvendt til udsugning af støv, må den ikke anvendes til svejsegasser eller slibe-støv.
- Kontrollér, at gnister eller andre objekter, som kan forårsage brand, ikke suges ind i armen. I forbindelse med svejseopgaver, hvor der dannes en stor mængde gnister, skal der monteres et gnistfang (tilbehør) i sugehovedet for at mindske risikoen for brand. Se [Billede 10](#).
- Anvend ikke produktet til giftige materialer (bortset fra svejserøg).
- Enheden må ikke anvendes uden filterindsats og kabinet.
- Produktet må ikke bruges i lukkede rum uden generel ventilation.
- Kun tilstrækkeligt uddannet personale må anvende produktet.

3 Beskrivelse

FilterCart W3 bortfiltrerer forurenende stoffer som dampe og støv, klasse W3. Derudover bortfiltrerer den svejserøg indeholdende CMR-stoffer (kræftfremkaldende mutagene reproduktionstoksiske stoffer), som f.eks. genereres ved svejsning af højlegeret stål eller svejsning af forbrugsstoffer med mere end 5% (Cr, Ni).

FilterCart W3 er kun beregnet til indendørs brug og er konstrueret til opslugning og filtrering af svejserøg, klasse W3. Hætten er forsynet med et effektivt spotlight.



BEMÆRK!

FilterCart W3 har ingen tilslutninger til ledning af udsugningsluft.

3.1 Overbelastningssikring

Se [Billede 4](#). FilterCart W3 er udstyret med overbelastningssikring, hvilket betyder, at strømmen automatisk slås fra, hvis ventilatorens motor bliver overbelastet.

- C: En rød lysdiode angiver, at strømmen er slået fra, og overbelastningssikringen er udløst.
- D: Knap til nulstilling af overbelastningssikringen.

3.2 Indikatorer på kontrolpanelet

Se [Billede 6](#).

- A Når stikket sluttes til lysnettet, lyser lysdioderne konstant, og et kort alarmsignal lyder.
- B Lysdioden blinker grønt: FilterCart W3 er sluttet til lysnettet (standby).
- C Når FilterCart W3 startes, lyser lysdioden grønt. Ventilatoren kører.
- D FilterCart W3 er klar til brug, og efter et stykke tid lyser lysdioden grønt. Når enheden har kørt i et vist tidsrum, reduceres luftstrømmen gennem udsugningsarmen, og trykfaldet øges, hvilket medfører, at det er nødvendigt at udskifte filterindsatsen.
- E Lysdioden lyser rødt: Trykfaldet er øget. Påmindelse om udskiftning af filterindsatsen.
- F Lysdioden lyser konstant, og efter ca. 30 s begynder et intermitterende alarmsignal at lyde. Udskift filterindsatsen. Hvis du ønsker at færdiggøre det igangværende arbejde, før du udskifter filterindsatsen, kan du stoppe alarmsignalet ved at trykke én gang på startknappen. Alarmsignalet aktiveres igen efter ca. 10 minutter. Hvis du trykker to gange på startknappen, stopper ventilatoren. Du kan også stoppe ventilatoren ved hjælp af knappen på røggassugerens hætte.
- G Lysdioden blinker rødt = alarmhukommelse. FilterCart W3 er stoppet, fordi alarmen er blevet udløst (som beskrevet ovenfor), for eksempel ved afslutningen af et skift. Filterindsatsen skal udskiftes.
- H Lysdioden lyser rødt, og et intermitterende alarmsignal begynder at lyde. Overbelastningssikringen er blevet udløst. Undersøg årsagen, og nulstil overbelastningssikringen ved at trykke på knappen "Nulstil motorværn".

3.3 Dimensioner

Se [Billede 1](#).

A: Vandret drejelig arm.

B: Afhængig af arm.

3.4 Tekniske data

DA

FilterCart W3	
Kapacitet	675-1050 m ³ /h (397-620 cfm)
Filtreringsevne, hovedfilter	> 99 % gennemsnitlig filtreringsevne. Minimumseffektivitet W3 (99%), EN ISO 15012-1, MERV 14 (ASHRAE 52.2) *.
Filtreringseffektivitet, HEPA-filter (tilbehør)	> 99.95 % H13 *
Filtreringsområde, hovedfilter	30 m ² (323 ft ²)
Filterområde, HEPA-filter (tilbehør)	7.5 m ² (81 ft ²)
Motoreffekt	0.75 kW (1 hp)
Netspænding **	110/120/230/240 V
Fase	1 ~
Frekvens **	50/60 Hz
Transformer	24 V sekundær
Spotlight	LED 24 V, 5W/6VA
Alarmsignal	Akustisk, 2.9 kHz
Udsugningsarm, handling radius	Maks. 2 m (6 ft 7 in) eller 3 m (9 ft 10 in)
Udsugningsarm, drejelig	Ca. 240°
Vægt	<ul style="list-style-type: none"> • 71 kg (156 lb) med 2 m-arm • 73 kg (161 lb) med 3 m-arm
Temperatur, maks. omgivelsestemperatur	40 °C (104 °F)
Temperatur, maks. luftstrømstemperatur	60 °C (140 °F)
Støjniveau, målt i henhold til ISO 11204.	73 dB(A)
Materialelevinding	90% vægt, uden filterindsats
Beskyttelsesklasse	IP42

* Se oplysninger om filterpatroner for mere specifikke data.

** Afhængig af modellen.

4 Installation

4.1 Første opstart

Se [Billede 4](#).

- 1 Sørg for, at FilterCart W3 ikke er blevet beskadiget under transport.
- 2 Kontroller, at netspændingen er den samme som på skiltet.
- 3 Slut tilslutningskablets stik til lysnettet. Lysdioderne ved B lyser konstant, og et kort alarmsignal lyder. Lysdioden ved C blinker grønt (standby).
- 4 Start FilterCart W3 ved hjælp af kontakten A eller ved hjælp af kontakten på udsugningsarmens hætte.
- 5 Lysdioden ved C lyser grønt: Ventilatoren kører.

4.2 Montere røggassugerens hætte

Røggassugerens arm er allerede monteret. Udsugerhætten skal monteres i henhold til [Billede 2](#). Juster leddene, så hætten let kan placeres.



BEMÆRK!

X: Kabel med løkke.

4.3 Ledningsdiagram

Se [Billede 3](#).

- M1: Ventilatormotor, 0,75 kW (1 hk).
- A1: Kredsløbskort.
- T1: Transformer, 24 V sekundær.
- K1: Relæ, blæser.
- F1: Overbelastningssikring relæ.
- E1: Spotlight, 20 W, 24 V.
- H1: Alarmsignal, 2,9 kHz.
- H2: Alarmsignal, 2,9 kHz.

* Spænding: afhængigt af model.

5 Brugsanvisning

Se [Afsnit 4.1 Første opstart](#) og [Billede 5](#).

- Udsugningsarmens hætte skal placeres så tæt på forureningskilden som muligt. Se punkt A.



BEMÆRK!

For specifikke oplysninger om positionering henvises til den separate brugervejledning til hætten.

- FilterCart W3 skal flyttes bagfra i henhold til punkt B, og med ulåste hjul.
- Udsugningsarmen skal placeres med låste hjul i henhold til punkt C.

6 Vedligeholdelse



ADVARSEL! Risiko for personskade

- Afbryd strømforsyningskablet, inden vedligeholdelsesarbejdet påbegyndes.
- Der skal anvendes det nødvendige personlige sikkerhedsudstyr.
- FilterCart W3 skal rengøres, før enheden skilles ad.
- FilterCart W3 må kun skilles ad i et godt ventileret lokale.
- Anvend egnet udstyr, som en støvsuger, til at rengøre FilterCart W3.
- Det område, hvor der udføres vedligeholdelse, skal rengøres korrekt, når arbejdet er færdiggjort.

Se [Billede 9](#). Det anbefales at foretage et eftersyn mindst én gang årligt. Gør følgende:

- Udskift filterindsatsen (og eventuelt HEPA-filter), hvis det er nødvendigt, se [Afsnit 6.1 Udskiftning af filterindsatsen](#)

- Kontrollér, at røggassuger-slangen ikke er beskadiget. Skift om nødvendigt slangen.
- Kontrollér, at slangen til blæserindløbet ikke er beskadiget. Skift om nødvendigt slangen.
- Kontrollér, at der ikke sidder genstande fast i afskærmningsnettet på blæserindløbet.
- Kontrollér, at trykfaldsslangen (fra kontrolpanelet) ikke er beskadiget, og at den er monteret korrekt.
- Juster om nødvendigt røggassugerens led.
- Tilspænd om nødvendigt armens profilbolte – se stjernesymbolerne (*) i [Billede 9](#).
- Kontrollér, at strømforsyningskablet og blæsermotorkablet ikke er slidte eller beskadigede.
- Kontrollér, at de excentriske låse spænder filterkabinettet ordentligt fast. Juster om nødvendigt de excentriske låse. Se [Afsnit 6.1 Udskiftning af filterindsatsen](#).

6.1 Udskiftning af filterindsatsen

Se [Billede 7](#). Filterindsatsen er til engangsbrug og skal bortskaffes efter brug. Filterindsatsens levetid varierer meget, afhængig af hvordan FilterCart W3 anvendes, og afhængig af hvor store mængder og hvilke typer af forurenende stoffer, der opsamles.

Kontrollér jævnligt lysdioderne på kontrolpanelets trykfaldsindikator for at se, hvornår filterindsatsen skal udskiftes, se [Afsnit 3.2 Indikatorer på kontrolpanelet](#). Kontrollér altid, at slangerne til udsugningsarmen og ventilatorindløbet er fri for skader, inden det besluttet, om filterindsatsen skal udskiftes.



ADVARSEL! Risiko for personskade

Der skal anvendes det nødvendige personlige sikkerhedsudstyr ved udskiftning af filterindsatsen.

Udskift filterindsatsen på følgende måde:

- 1 Afbryd strømforsyningskablet.
- 2 Lås de excentriske låse op, og fjern filterkabinettet.
- 3 Brug den plastpose, som følger med den nye filterindsats, og træk den over den brugte indsats. Fold plastposen ind under indsatsen.
- 4 Aftør filterindsatsens kontaktflader i FilterCart W3 med en støveklud. Kom støvekluden i en plastpose sammen med filterindsatsen, og luk posen med det medfølgende bånd.
- 5 Den brugte filterindsats skal håndteres i henhold til de gældende bestemmelser for de stoffer, der er blevet opsamlet.
- 6 Kontrollér, at trykfaldsslangen (fra kontrolpanelet) ikke er beskadiget, og at den er monteret korrekt.
- 7 Kontrollér, at den nye filterindsats ikke er beskadiget. Kontrollér også, at tætningen på undersiden af patronen ikke er beskadiget. Monter derefter filterindsatsen på FilterCart W3.
- 8 Sæt filterkabinettet tilbage. Sørg for, at de excentriske låse spænder filterkabinettet ordentligt fast.
 - A: Låsekraften øges.
 - B: Låsekraften mindskes.

6.2 Udskiftning af HEPA-filtrer (tilbehør)

Se [Billede 8](#). Hvis FilterCart W3 er forsynet med et HEPA-filtrer, skal filteret udskiftes, når hovedfilterindsatsen udskiftes.



ADVARSEL! Risiko for personskade

Der skal anvendes det nødvendige personlige sikkerhedsudstyr ved udskiftning af HEPA-filtrer.

Udskift HEPA-filtrer-filterindsatsen på følgende måde:

- 1 Afbryd strømforsyningskablet.
- 2 Skru topdækslet af.
- 3 Fjern det brugte HEPA-filtrer, og læg det ned i den plastpose, der følger med det nye HEPA-filtrer. Luk plastposen med det medfølgende bånd.
- 4 Det brugte HEPA-filtrer skal håndteres i henhold til de gældende bestemmelser for de stoffer, der er blevet opsamlet.
- 5 Kontrollér, at det nye HEPA-filtrer, punkt A, ikke er beskadiget.



BEMÆRK!

Filtrets overflade må ikke berøres.

- 6 Kontrollér, at OPAD-pilen, punkt B, peger opad. HEPA-filter skal håndteres forsigtigt og indsættes i FilterCart W3. Sørg for, at det monteres i den korrekte position, og at tætningen vender nedad. Kontrollér, at tætningen ikke er beskadiget.
- 7 Sæt topdækslet tilbage. Fastgør det ordentligt.

7 Reservdele



FORSIGTIG! Risiko for beskadigelse af udstyr

Brug kun originale reservedele og tilbehør fra Nederman.

Kontakt din nærmeste autoriserede forhandler eller Nederman for at få råd om teknisk service, eller hvis du har brug for hjælp til reservedele. Se også www.nederman.com.

7.1 Bestilling af reservedele

Ved bestilling af reservedele skal der altid oplyses følgende:

- Reservedels- og kontrolnummer (se produktets typeskilt).
- Reservedelens specifikke nummer og navn (se www.nederman.com/en/service/spare-part-search).
- Antallet af reservedele.

8 Tilbehør

- HEPA-filter H13, 7.5 m² (81 ft²) højeffektivt slutfilter, klasse H13.
- Gnistfang, til montering i hætte. Reducerer risikoen for brand.

9 Genbrug

Produktet er designet til komponentmaterialer, der kan genanvendes. Forskellige materialetyper skal håndteres i henhold til relevante lokale regler. Kontakt distributøren eller Nederman, hvis der opstår usikkerhed ved ophugning af produktet i slutningen af dets levetid.

Inhaltsverzeichnis

Bilder	6
1 Vorwort	27
2 Sicherheit	27
2.1 Klassifizierung wichtiger Informationen	27
2.2 Allgemeine Sicherheitshinweise	27
3 Beschreibung	28
3.1 Überlastungsschutz	28
3.2 Anzeigen der Bedientafel	28
3.3 Abmessungen	28
3.4 Technische Daten	29
4 Installation	30
4.1 Inbetriebnahmeanweisungen	30
4.2 Montage der Abzugshaube	30
4.3 Schaltplan	30
5 Bedienungshinweise	30
6 Wartung	30
6.1 Austausch der Filterpatrone	31
6.2 Auswechseln des HEPA-filter (Zubehör)	31
7 Ersatzteile	32
7.1 Bestellung von Ersatzteilen	32
8 Zubehör	32
9 Entsorgung	32

1 Vorwort

Danke, dass Sie ein Nederman-Produkt verwenden!

Die Nederman-Gruppe ist ein weltweit führender Anbieter und Entwickler von Produkten und Lösungen für den Umwelttechnologiesektor. Unsere innovativen Produkte filtern, reinigen und recyceln auch in den anspruchsvollsten Umgebungen. Die Produkte und Lösungen von Nederman helfen Ihnen, Ihre Produktivität zu verbessern, Kosten zu senken und auch die Auswirkungen industrieller Prozesse auf die Umwelt zu reduzieren.

Lesen Sie vor Installation, Benutzung und Wartung dieses Produkts sämtliche Produktdokumentation sowie das Typenschild für dieses Produkt. Bei einem Verlust muss die Dokumentation sofort ersetzt werden. Nederman behält sich das Recht vor, Produkte und Dokumentation ohne vorherige Ankündigung zu ändern.

Dieses Produkt erfüllt die Anforderungen der einschlägigen EU-Richtlinien. Um diesen Status zu wahren, müssen sämtliche Installations-, Wartungs- und Instandsetzungsarbeiten von qualifiziertem Personal und ausschließlich mit Original-Ersatzteilen durchgeführt werden. Wenden Sie sich für Hilfestellung zu technischem Service und für Ersatzteile bitte an Ihren Fachhändler oder direkt an Nederman. Wenn Sie bei Anlieferung des Produktes feststellen, dass Teile beschädigt sind oder fehlen, informieren Sie bitte die Spedition und Ihre Nederman Niederlassung vor Ort.

2 Sicherheit

2.1 Klassifizierung wichtiger Informationen

Dieses Dokument enthält wichtige Informationen, die in Form von Warnungen und Hinweisen gegeben werden:



WARNUNG! Verletzungsgefahr

Warnungen weisen auf eine mögliche Gefahr für die Gesundheit und die Sicherheit der Benutzer sowie auf die Gefahrenvermeidung hin.



VORSICHT! Gefahr der Anlagenbeschädigung

Vorsichtshinweise kennzeichnen eine mögliche Gefahr für das Produkt, jedoch nicht für das Personal, und enthalten Informationen zur Gefahrenvermeidung.



BEACHTEN!

Hinweise enthalten wichtige Informationen für die Mitarbeiter.

2.2 Allgemeine Sicherheitshinweise



WARNUNG! Verletzungsgefahr

- Im Brandfall kann der Rauch aus dem FilterCart W3 gefährliche Substanzen enthalten, wie brennendes Polycarbonat, PVC, Polyethylen, etc. Auch von dem abgeschiedenen Material kann es zu gefährlichen Rauch kommen.
- Das Gerät darf nicht in explosionsgefährdeten Umgebungen oder Bereichen mit explosionsfähigen Stäuben oder Gasen betrieben werden.
- Falls mit dem Gerät Stäube abgesaugt wurden, darf das Gerät danach nicht mehr zum Absaugen von Schweißrauch oder Schleifstaub eingesetzt werden.
- Darauf achten, dass keine Funken oder andere brandgefährliche Objekte in den Arm hinein gesaugt werden. Für Schweißanwendungen mit starker Funkenbildung muss ein Funkenschutzgitter (Zubehör) in die Haube eingesetzt werden, um die Brandgefahr zu vermindern. Siehe [Bild 10](#).
- Das Produkt darf nicht zur Extraktion giftiger Substanzen (außer Schweißrauch) verwendet werden.
- Der Betrieb des Geräts ohne Filterpatrone oder Filtergehäuse ist nicht gestattet.
- Das Produkt darf nicht in geschlossenen Räumen ohne allgemeine Belüftung verwendet werden.
- Nur geschultes Personal darf dieses Gerät zu verwenden.

3 Beschreibung

FilterCart W3 filtert Schadstoffe wie Rauch und Staub, Klasse W3. Außerdem filtert er Schweißdämpfe mit CMR-Anteil (krebserzeugende, erbgutverändernde reprotoxische Stoffe), die z. B. beim Schweißen hochlegierter Stahlsorten oder bei Verwendung von Schweißhilfsstoffen mit über 5 % Anteil (Cr, Ni) entstehen.

DE Der FilterCart W3 ist ausschließlich für die Absaugung und Filtration von Schweißrauch der Klasse W3 im Innenbereich bestimmt. Die Absaughaube ist mit einem effizienten Strahler ausgestattet.



BEACHTEN!

Der FilterCart W3 hat keine Anschlüsse für die Abluftführung.

3.1 Überlastungsschutz

Siehe [Bild 4](#). Der FilterCart W3 ist mit einem Motorschutzschalter versehen, der bei zu hoher Belastung des Ventilatormotors die Stromversorgung automatisch unterbricht.

- C: Eine rot leuchtende Leuchtdiode zeigt an: Stromversorgung unterbrochen und Motorschutzschalter ausgelöst.
- D: Knopf zum Rücksetzen des Motorschutzschalters.

3.2 Anzeigen der Bedientafel

Siehe [Bild 6](#).

- A Nach dem Anschließen des Steckers leuchten alle Dioden stetig und ein kurzes Alarmsignal wird ausgegeben.
- B Leuchtdiode blinkt grün: Der FilterCart W3 ist an das Stromnetz angeschlossen (Bereitschaft).
- C Nach dem Starten des FilterCart W3 leuchtet die Diode stetig grün. Der Ventilator läuft.
- D Der FilterCart W3 ist betriebsbereit. Nach kurzer Zeit leuchtet die Diode stetig grün. Nach einer gewissen Zeit sinkt der Luftstrom durch den Absaugarm, der Filterdruckabfall nimmt zu und schließlich muss die Filterpatrone gewechselt werden.
- E Dauerlicht der Dioden: Starker Filterdruckabfall. Vorankündigung eines bald fälligen Filterpatronenwechsels.
- F Dauerlicht der Dioden, nach ca. 30 Sekunden wird ein intermittierendes Alarmsignal ausgelöst. Filterpatrone wechseln. Soll eine begonnene Arbeit vor dem Filterpatronenwechsel abgeschlossen werden, kann das Alarmsignal kurz unterdrückt werden. Hierzu wird der Startschalter einmal gedrückt. Das Alarmsignal tritt nach ca. 10 Minuten erneut auf. Durch zweimaliges Drücken des Startschalters wird der Ventilator gestoppt. Alternativ kann der Ventilator über den Schalter an der Abzugshaube gestoppt werden.
- G Leuchtdiode blinkt rot = Alarm gespeichert. Der FilterCart W3 wurde nach Alarmbeginn gestoppt (wie oben beschrieben), z.B. bei Schichtwechsel. Die Filterpatrone muss gewechselt werden.
- H Rotes Dauerlicht der Diode, ein intermittierendes Alarmsignal wird ausgelöst. Der Motorschutzschalter wurde ausgelöst. Ursache feststellen und den Motorschutzschalter durch Drücken des Knopfes „Motor Protector Reset“ zurücksetzen.

3.3 Abmessungen

Siehe [Bild 1](#).

A: Horizontaler Schwenkarm.

B: Je nach Ausführung des Arms.

3.4 Technische Daten

FilterCart W3	
Kapazität	675-1050 m ³ /h (397-620 cfm)
Abscheidungsgrad, Hauptfilter	> 99 % durchschnittliches Gewicht Filtrationseffizienz. Mindestwirkungsgrad W3 (99 %), EN ISO 15012-1, MERV 14 (ASHRAE 52.2) *.
Filterabscheidegrad, HEPA-filter (Zubehör)	> 99.95 % H13 *
Filterfläche, Hauptfilter	30 m ² (323 ft ²)
Filterfläche, HEPA-filter (Zubehör)	7.5 m ² (81 ft ²)
Motorleistung	0.75 kW (1 hp)
Spannung **	110/120/230/240 V
Phasen	1 ~
Frequenz**	50/60 Hz
Transformator	24 V sekundär
Spotlight	LED 24 V, 5W/6VA
Alarmsignal	akustisch, 2.9 kHz
Absaugarm, Aktionsradius	maximal 2 m (6 ft 7 in) oder 3 m (9 ft 10 in)
Absaugarm, drehbarer Arm	ca. 240°
Gewicht	<ul style="list-style-type: none"> • 71 kg (156 lb) mit 2-m-Arm • 73 kg (161 lb) mit 3-m-Arm
Max. Umgebungstemperatur	40 °C (104 °F)
Max. Lufttemperatur	60 °C (140 °F)
Geräuschpegel, Gemessen nach ISO 11204.	73 dB(A)
Material-Recycling	90% nach Gewicht, Ohne Filterpatrone
Schutzklasse	IP42

* Weitere Informationen finden Sie in den Informationen zur Filterpatrone.

** Modellabhängig.

4 Installation

4.1 Inbetriebnahmeanweisungen

Siehe [Bild 4](#).

DE

- 1 Kontrollieren des FilterCart W3 auf Transportschäden.
- 2 Überprüfen Sie, ob die Netzspannung mit der auf dem Schild übereinstimmt.
- 3 Das Netzanschlusskabel an die Netzsteckdose anschließen. Dauerlicht der Leuchtdioden B und kurzzeitige Ausgabe eines Alarmsignals. Die Leuchtdiode C blinkt grün (Bereitschaft).
- 4 Den FilterCart W3 mit Schalter A starten oder alternativ mit dem Schalter an der Haube der Punktabsaugung.
- 5 Grünes Dauerlicht der Leuchtdiode C: Der Ventilator läuft.

4.2 Montage der Abzugshaube

Die Punktabsaugung ist bereits montiert. Die Haube ist gemäß [Bild 2](#) anzubringen. Die Gelenke sind so einzustellen, dass sich die Haube mühelos positionieren lässt.



BEACHTEN!

X: Kabel mit Schleife.

4.3 Schaltplan

Siehe [Bild 3](#).

- M1: Ventilatormotor, 0,75 kW (1 PS).
- A1: Leiterkarte.
- T1: Transformator, 24 V sekundär.
- K1: Kontaktor, Ventilator.
- F1: Motorschutzschalter.
- E1: Beleuchtung, 20 W, 24 V.
- H1: Alarmsignal, 2,9 kHz.
- H2: Alarmsignal, 2,9 kHz.

* Spannung: Modellabhängig.

5 Bedienungshinweise

Siehe Abb. 1 und 2.

- Die Absaughaube des Absaugarms muss so nah wie möglich an der Entstehungsstelle des Schadstoffs positioniert werden, siehe Punkt A.



BEACHTEN!

Spezifische Angaben zur Positionierung finden Sie in der separaten Anleitung für die Absaughaube.

- Der FilterCart W3 muss gemäß Pos. B mit entsperrten Rädern an der Rückseite bewegt werden.
- Blockieren Sie dann wie in Pos. C gezeigt die Räder, bevor Sie den Absaugarm positionieren.

6 Wartung



WARNUNG! Verletzungsgefahr

- Vor Beginn von Wartungsarbeiten zuerst das Netzanschlusskabel trennen.
- Die erforderliche persönliche Schutzausrüstung verwenden.
- Das FilterCart W3 muss vor jeder Demontage gereinigt werden.
- FilterCart W3 darf nur in einem gut belüfteten Raum zerlegt werden.
- Verwenden Sie zum Reinigen des FilterCart W3 geeignete Geräte wie einen Staubsauger.
- Der Bereich, in dem Wartungsarbeiten durchgeführt werden, muss nach Abschluss der Arbeiten ordnungsgemäß gereinigt werden.

Siehe [Bild 9](#). Wartung wird mindestens einmal jährlich empfohlen. Gehen Sie wie folgt vor:

- Bei Bedarf die Filterpatrone (und optionalen HEPA-Filter) wechseln, siehe [Abschnitt 6.1 Austausch der Filterpatrone](#).
- Den Punktabsaugungsschlauch auf Beschädigung kontrollieren. Bei Bedarf tauschen.
- Den Ventilatoreinlassschlauch auf Beschädigung kontrollieren. Bei Bedarf tauschen.
- Sicherstellen, dass sich im Schutzgitter des Ventilatoreinlasses keine Gegenstände verfangen haben.
- Sicherstellen, dass der Druckabfallschlauch (von der Bedientafel) unbeschädigt und richtig angebracht ist.
- Regulieren Sie bei Bedarf das Gestänge des Absauggeräts nach.
- Ziehen Sie ggf. die Schrauben am Parallelogramm des Absaugarms nach (siehe die Sternchen-Symbole * in [Bild 9](#)).
- Netzanschlusskabel und Ventilatormotor Kabel auf Abnutzung oder Beschädigung kontrollieren.
- Sicherstellen, dass das Filtergehäuse durch die Exzenterverriegelungen dicht angepresst wird. Bei Bedarf die Exzenterverriegelungen einstellen. Siehe [Abschnitt 6.1 Austausch der Filterpatrone](#).

6.1 Austausch der Filterpatrone

Siehe [Bild 7](#). Die Einweg-Filterpatrone wird nach Sättigung ausgetauscht. Die Lebensdauer der Filterpatrone hängt wesentlich davon ab, wie das Aggregat verwendet wird und welche Verunreinigungen abgeschieden werden.

Den Status der Filterdruckabfall-Leuchtdioden an der Bedientafel regelmäßig prüfen, um festzustellen, wann ein Filterpatronenwechsel fällig ist, siehe [Abschnitt 3.2 Anzeigen der Bedientafel](#). Vor dem Austausch der Filterpatrone stets sicherstellen, dass die Schläuche der Punktabsaugung und des Ventilatoreinlasses unbeschädigt sind.



WARNUNG! Verletzungsgefahr

Beim Austauschen der Filterpatronen ist die erforderliche persönliche Schutzausrüstung zu verwenden.

Die Filterpatrone austauschen wie folgt:

- 1 Das Netzanschlusskabel ausstecken.
- 2 Lösen Sie die Exzenter-Spannhebel und nehmen Sie das Filtergehäuse ab.
- 3 Entnehmen Sie den Kunststoffbeutel aus der Packung der neuen Filterpatrone und ziehen Sie ihn von oben über den gebrauchten Filter. Schließen Sie den Beutel unter der Filterpatrone.
- 4 Die Filterpatronen-Kontaktflächen im FilterCart W3 mit einem Tuch abwischen. Das Tuch mit der Filterpatrone in den Plastikbeutel legen. Den Plastikbeutel mit dem beiliegenden Band verschließen.
- 5 Bei der Entsorgung der verbrauchten Filterpatrone sind die geltenden Vorschriften für abgeschiedene Schadstoffe zu beachten.
- 6 Sicherstellen, dass der Druckabfallschlauch (von der Bedientafel) unbeschädigt und richtig angebracht ist.
- 7 Sicherstellen, dass die neue Filterpatrone unbeschädigt ist. Außerdem sicherstellen, dass die unter der Patrone angebrachte Dichtung unbeschädigt ist. Dann die Filterpatrone in den FilterCart W3 einsetzen.
- 8 Bringen Sie das Filtergehäuse wieder an. Achten Sie darauf, dass die Exzenter-Spannhebel das Filtergehäuse einwandfrei festspannen.
 - A: Erhöhung der Verriegelungskraft.
 - B: Verringerung der Verriegelungskraft.

6.2 Auswechseln des HEPA-Filter (Zubehör)

Siehe [Bild 8](#). Wurde der FilterCart W3 mit einem HEPA-Filter geliefert, so sollte dieser jeweils zusammen mit der Haupt-Filterpatrone gewechselt werden.



WARNUNG! Verletzungsgefahr

Beim Austausch des HEPA-Filter ist die erforderliche persönliche Schutzausrüstung zu verwenden.

Die HEPA-Filterpatrone austauschen wie folgt:

- 1 Das Netzanschlusskabel ausstecken.
- 2 Den oberen Deckel abschrauben.
- 3 Den verbrauchten HEPA-Filter entfernen und in den mit dem neuen HEPA-Filter erhaltenen Plastikbeutel legen. Den Plastikbeutel mit dem beiliegenden Band verschließen.

- 4 Bei der Entsorgung der verbrauchten HEPA-Filter sind die geltenden Vorschriften für abgeschiedene Schadstoffe zu beachten.
- 5 Stellen Sie sicher, dass der neue HEPA-Filter, Pos. A, nicht beschädigt ist.

**BEACHTEN!**

Die Filteroberfläche darf nicht berührt werden.

DE

- 6 Vergewissern Sie sich, dass der Aufwärtspfeil, Pos. B, nach oben zeigt. Handhaben Sie den HEPA-Filter beim Einbau in den FilterCart W3 äußerst vorsichtig. Bauen Sie den Filter in der vorgeschriebenen Einbauposition ein; die Dichtung muss unten liegen. Vergewissern Sie sich, dass die Dichtung nicht beschädigt ist.
- 7 Bringen Sie den Deckel wieder an. Schrauben Sie ihn einwandfrei fest.

7 Ersatzteile

**VORSICHT! Gefahr der Anlagenbeschädigung**

Verwenden Sie ausschließlich Originalersatzteile und Zubehör von Nederman.

Wenden Sie sich an einen autorisierten Händler oder an Nederman, um Hilfestellung zum technischen Service zu erhalten oder um Ersatzteile zu bestellen. Siehe auch www.nederman.com.

7.1 Bestellung von Ersatzteilen

Bei der Bestellung von Ersatzteilen ist immer Folgendes anzugeben:

- Teile- und Kontrollnummer (siehe Typenschild am Produkt).
- Ersatzteilnummer mit Beschreibung (siehe www.nederman.com/en/service/spare-part-search).
- Anzahl erforderlicher Ersatzteile.

8 Zubehör

- HEPA-Filter H13, 7.5 m² (81 ft²) Nachfilter mit hohem Abscheidegrad, Klasse H13.
- Funkenschutz, zur Montage an Absaughaube, Reduziert die Gefahr von Filterbränden.

9 Entsorgung

Bei der Entwicklung des Produktes wurde auf die Recyclingfähigkeit der einzelnen Komponenten geachtet. Die verschiedenen Materialarten sind gemäß den einschlägigen örtlichen Bestimmungen zu entsorgen. Bei Unklarheiten über die korrekte Entsorgung des Produktes wenden Sie sich an Ihren Händler oder an Nederman.

Tabla de contenidos

Imágenes	6
1 Prólogo	34
2 Seguridad	34
2.1 Clasificación de información importante	34
2.2 Instrucciones generales de seguridad	34
3 Descripción	35
3.1 Protector de sobrecarga	35
3.2 Indicaciones del panel de control	35
3.3 Dimensiones	35
3.4 Datos técnicos	36
4 Instalación	37
4.1 Instrucciones de arranque	37
4.2 Montaje de la campana de extracción de humos	37
4.3 Esquema de circuitos	37
5 Instrucciones de uso	37
6 Mantenimiento	37
6.1 Cambio del cartucho filtrante	38
6.2 Cambio del HEPA-filter (accesorio)	38
7 Piezas de repuesto	39
7.1 Solicitud de piezas de repuesto	39
8 Accesorios	39
9 Reciclaje	39

1 Prólogo

¡Gracias por usar un producto de Nederman!

El Grupo Nederman es un proveedor y desarrollador líder mundial de productos y soluciones para el sector de la tecnología ambiental. Nuestros productos innovadores filtrarán, limpiarán y reciclarán en los entornos más exigentes. Los productos y soluciones de Nederman le ayudarán a mejorar su productividad, reducir costes y también el impacto en el medio ambiente de los procesos industriales.

ES

Lea con atención toda la documentación del producto y la placa de identificación del producto antes de la instalación, uso y mantenimiento o reparación de este producto. Si pierde la documentación, sustitúyala inmediatamente. Nederman se reserva el derecho a modificar y mejorar sus productos sin previo aviso, incluida la documentación.

Este producto está diseñado para cumplir los requisitos de las directivas CE aplicables. Para mantener esta condición, cualquier instalación, mantenimiento o reparación deberán ser efectuados por personal cualificado utilizando únicamente piezas de repuesto y accesorios originales Nederman. Póngase en contacto con el distribuidor autorizado más próximo o con Nederman para asesoramiento sobre servicio técnico y obtención de piezas de repuesto. Si hay algún componente dañado o extraviado en la entrega del producto, notifíquelo inmediatamente al transportista y al representante local de Nederman.

2 Seguridad

2.1 Clasificación de información importante

Este documento incluye información importante que se presenta como una advertencia, precaución o nota:



¡ADVERTENCIA! Riesgo de lesión personal

Las advertencias indican un peligro potencial para la salud y la seguridad del personal, y la forma en que el peligro puede ser evitado.



PRECAUCIÓN! Riesgo de daño del equipo

Las precauciones indican un peligro potencial para el producto, pero no para el personal y el modo en que se puede evitar dicho peligro.



¡NOTA!

Las notas contienen otra información de importancia para el personal.

2.2 Instrucciones generales de seguridad



¡ADVERTENCIA! Riesgo de lesión personal

- En caso de incendio, el humo del FilterCart W3 puede contener sustancias peligrosas tales como la combustión de policarbonato, PVC, polietileno, etc. También, dependiendo del material que se separara, podría salir humo peligroso del mismo.
- El producto no debe utilizarse en un entorno con peligro de explosión o con polvo o gases en concentraciones explosivas.
- Si el producto se ha utilizado para aplicaciones de polvo, no debe utilizarse para humos de soldadura o polvo de esmerilado.
- Asegúrese de que el brazo no absorba chispas ni otros objetos que puedan provocar un incendio. Para aplicaciones de soldadura que generan gran cantidad de chispas, debe montarse una protección contra chispas (accesorio) en la campana para reducir el riesgo de incendio. Ver [Imágen 10](#).
- El producto no debe utilizarse para extraer sustancias tóxicas (excepto humos de soldadura).
- El producto no debe usarse sin cartucho de filtro y carcasa.
- El producto no debe utilizarse en habitaciones cerradas sin ventilación general.
- Sólo al personal capacitado adecuadamente se le permite usar este producto.

3 Descripción

FilterCart W3 filtra contaminantes como los humos y el polvo de clase W3. Asimismo, filtra los humos de soldadura que contengan sustancias CMR (Carcinógenos, Mutágenos y Reprrotóxicos), por ejemplo, los generados por la soldadura de aceros de alta aleación o consumibles de soldadura con más del 5% (Cr, Ni).

El FilterCart W3 solo está pensado para uso en interiores y está diseñado para la extracción y filtración de humos de soldadura de clase W3. La campana está provista de un eficiente foco.



¡NOTA!

El FilterCart W3 no tiene ninguna conexión para la canalización del aire de escape.

ES

3.1 Protector de sobrecarga

Ver la [Imágen 4](#). El FilterCart W3 va provisto de un protector de sobrecarga térmica que desconecta automáticamente el suministro eléctrico si se sobrecarga el motor del ventilador.

- C: La luz roja indica desconexión de la alimentación y protector de sobrecarga activado.
- D: Botón para restablecer el protector de sobrecarga.

3.2 Indicaciones del panel de control

Consulte [Imágen 6](#).

- A Al conectar la clavija de alimentación, los diodos luminosos brillan con luz fija y se emite una señal de alarma durante un breve lapso.
- B El diodo luminoso parpadea con luz verde: El FilterCart W3 está conectado a la red (en espera).
- C Una vez que el FilterCart W3 se ha puesto en marcha, el diodo luminoso brilla con luz verde fija. El ventilador está en funcionamiento.
- D El FilterCart W3 está listo para usar. Tras un breve lapso, el diodo luminoso brilla con luz verde fija. Después de utilizarlo un determinado tiempo, el flujo de aire se reducirá a través del brazo extractor y la caída de presión se incrementará, por lo que será necesario cambiar el cartucho filtrante.
- E Los diodos luminosos brillan con luz fija: incremento de la caída de presión. Pre-calentamiento para cambiar el cartucho filtrante.
- F Los diodos luminosos brillan con luz fija y después de 30 s se inicia una señal de alarma intermitente. Cambiar el cartucho filtrante. Si se desea finalizar el trabajo en curso antes de cambiar el cartucho filtrante, se puede detener la señal de alarma pulsando el botón de arranque una vez. La señal de alarma vuelve a activarse después de 10 segundos aproximadamente. Si se pulsa el botón de arranque dos veces el ventilador se detiene. Alternativamente, el ventilador puede detenerse con el interruptor situado en la cubierta del extractor de humos.
- G El diodo luminoso parpadea con luz roja = memoria de alarma. El FilterCart W3 se ha detenido después del inicio de alarma (como se describió anteriormente, por ejemplo al cambiar de trabajo. Es necesario reemplazar el cartucho filtrante.
- H El diodo luminoso brilla con luz roja fija y se inicia una señal de alarma intermitente. El protector de sobrecarga ha sido activado. Determinar la causa del fallo y restablecer el protector de sobrecarga pulsando el botón "Motor Protector Reset".

3.3 Dimensiones

Consulte [Imágen 1](#).

A: Brazo giratorio horizontal.

B: Según el brazo.

3.4 Datos técnicos

FilterCart W3	
Capacidad	675-1050 m ³ /h (397-620 cfm)
Eficacia de filtrado, filtro principal	> 99 % eficiencia de filtración de peso medio. Eficiencia mínima W3 (99%), EN ISO 15012-1, MERV 14 (ASHRAE 52.2) *.
Eficacia de filtración, HEPA-filter (accesorio)	> 99.95 % H13 *
Superficie, filtro principal	30 m ² (323 ft ²)
Superficie, HEPA-filter(accesorio)	7.5 m ² (81 ft ²)
Potencia del motor	0.75 kW (1 hp)
Tensión **	110/120/230/240 V
Fase	1 ~
Frecuencia **	50/60 Hz
Transformador	24 V secundaria
Iluminación	LED 24 V, 5W/6VA
Señal de alarma	acústica, 2.9 kHz
Brazo extractor, radio de acción	máxima 2 m (6 ft 7 in) o 3 m (9 ft 10 in)
Brazo extractor, brazo articulado	Aprox. 240°
Peso	<ul style="list-style-type: none"> • 71 kg (156 lb) con brazo de 2 m • 73 kg (161 lb) con brazo de 3 m
Temperatura, max, temp. ambiente	40 °C (104 °F)
Temperatura, temp. flujo aire	60 °C (140 °F)
Nivel de ruido, Medido con arreglo a ISO 11204.	73 dB(A)
Reciclaje de material	90% por peso, sin el cartucho filtrante
Clase de protección	IP42

* Consulte la información del cartucho de filtro para obtener datos más específicos.

** Según el modelo.

4 Instalación

4.1 Instrucciones de arranque

Consulte [Imágen 4](#).

- 1 Compruebe que el FilterCart W3 no haya sufrido daños durante el transporte.
- 2 Compruebe que el voltaje de la red sea el mismo que en la placa de señalización.
- 3 Conecte el cable con el enchufe a la red. Los diodos luminosos en B brillan con luz fija y se emite una señal de alarma durante un lapso breve. El diodo luminoso en C parpadea con luz verde (en espera).
- 4 Active el FilterCart W3 con el interruptor A o, alternativamente, con el interruptor en la cubierta del brazo extractor.
- 5 El diodo luminoso en C brilla con luz verde fija. El ventilador está en funcionamiento.

4.2 Montaje de la campana de extracción de humos

El brazo extractor de humos ya viene montado. La campana se debe montar como muestran la [Imágen 2](#). Ajuste las articulaciones de manera que sea fácil ubicar la campana.



¡NOTA!

X: Cable con bucle.

4.3 Esquema de circuitos

Consulte [Imágen 3](#).

- M1: Motor del ventilador, 0.75 kW (1 hp).
 - A1: Placa de circuito.
 - T1: Transformador, 24 V, secundaria.
 - K1: Relé, ventilador.
 - F1: Protector de sobrecarga.
 - E1: Iluminación, 20 W, 24 V.
 - H1: Señal de alarma, 2,9 kHz.
 - H2: Señal de alarma, 2,9 kHz.
- * Tensión: según el modelo.

5 Instrucciones de uso

Consulte [Sección 4.1 Instrucciones de arranque](#) y [Imágen 5](#).

- La campana del brazo de extracción debe colocarse tan cerca de la fuente de contaminación como sea posible, consulte el elemento A.



¡NOTA!

Para obtener detalles específicos de posicionamiento, consulte el manual independiente de la campana.

- Debe moverse el FilterCart W3 desde atrás tal y como se muestra en el elemento B y con las ruedas desbloqueadas.
- El brazo de extracción debe colocarse con las ruedas bloqueadas, como muestra el elemento C.

6 Mantenimiento



¡ADVERTENCIA! Riesgo de lesión personal

- Desconecte siempre el cable de alimentación de la red antes de comenzar los trabajos de mantenimiento.
- Use los equipos de protección individual necesarios.
- El FilterCart W3 debe limpiarse antes de cualquier desmontaje.
- El FilterCart W3 solo debe desmontarse en una habitación bien ventilada.
- Utilice el equipo adecuado, como una aspiradora para limpiar FilterCart W3.
- El área donde se realiza el mantenimiento debe limpiarse adecuadamente una vez finalizado el trabajo.

Consulte [Imágen 9](#). Se recomienda el mantenimiento al menos una vez al año. Haga lo siguiente:

- Cambie el cartucho filtrante (y el HEPA-filter opcional) si es necesario, ver la [Sección 6.1 Cambio del cartucho filtrante](#).
- Compruebe que la manguera del extractor no esté dañada. Cámbiela si es necesario.
- Compruebe que la manguera conectada a la entrada del extractor no esté dañada. Si es necesario, cambie la manguera.
- Compruebe que no hayan quedado objetos retenidos en la rejilla de protección de la entrada del ventilador.
- Compruebe que la manguera de caída de presión (del panel de control) no esté dañada y esté debidamente colocada.
- Si es necesario, ajuste las articulaciones del extractor de humos.
- Si es necesario, apriete los pernos del perfil del brazo, consulte los símbolos * en [Imágen 9](#).
- Compruebe que el cable de conexión de la red y el cable del motor del ventilador no estén gastados ni dañados.
- Compruebe que los cierres excéntricos aprieten bien la carcasa del filtro. Ajuste los cierres excéntricos si es necesario. Ver [Sección 6.1 Cambio del cartucho filtrante](#).

6.1 Cambio del cartucho filtrante

Ver la [Imágen 7](#). El cartucho filtrante es del tipo no recuperable por lo que debe desecharse cuando se ha consumido. La duración del cartucho varía considerablemente según como se utiliza el FilterCart W3 y el tipo de impurezas de que se trata.

Controle con regularidad los diodos luminosos en el símbolo de caída de presión del panel de control para saber cuándo es hora de cambiar el cartucho filtrante (ver [Sección 3.2 Indicaciones del panel de control](#)). Compruebe siempre que las mangueras para el brazo extractor y la entrada del ventilador no estén dañadas antes de decidirse a cambiar el cartucho filtrante.



¡ADVERTENCIA! Riesgo de lesión personal

Use los equipos necesarios de seguridad personal al cambiar los cartuchos de filtro.

Cambie el cartucho filtrante de la siguiente manera:

- 1 Desconecte el cable de conexión a la red.
- 2 Libere los cierres excéntricos y retire la carcasa del filtro.
- 3 Utilice la bolsa de plástico que se suministra con el nuevo cartucho filtrante y cubra con ella el cartucho usado. Doble la bolsa de plástico debajo del cartucho.
- 4 Limpie con un trapo las superficies de contacto del cartucho filtrante en el FilterCart W3. Introduzca el trapo en la bolsa de plástico con el cartucho filtrante, y cierre la bolsa con la cinta suministrada.
- 5 Maneje el cartucho usado de acuerdo con las regulaciones aplicables para las sustancias retenidas.
- 6 Compruebe que la manguera de caída de presión (del panel de control) no esté dañada y esté debidamente colocada.
- 7 Compruebe que el nuevo cartucho filtrante no esté dañado. Compruebe también que la junta situada en el lado inferior del cartucho no esté dañada. Después, coloque el cartucho en el FilterCart W3.
- 8 Vuelva a colocar la carcasa del filtro. Cerciórese de que los cierres excéntricos aprieten bien la carcasa del filtro.
 - A: Aumenta la fuerza de bloqueo.
 - B: Reduce la fuerza de bloqueo.

6.2 Cambio del HEPA-filter (accesorio)

Ver la [Imágen 8](#). Si el FilterCart W3 fue suministrado con un HEPA-filter, éste debe cambiarse al mismo tiempo que el cartucho principal.



¡ADVERTENCIA! Riesgo de lesión personal

Use los equipos necesarios de seguridad personal al cambiar el HEPA-filter.

Cambie el cartucho HEPA-filter de la siguiente manera:

- 1 Desconecte el cable de conexión a la red.
- 2 Desatornille la cubierta superior.

- 3 Retire el HEPA-filter usado y colóquelo en la bolsa de plástico que se incluye con el nuevo filtro HEPA. Cierre la bolsa de plástico con la cinta suministrada.
- 4 Maneje el HEPA-filter usado de acuerdo con las regulaciones aplicables para las sustancias retenidas.
- 5 Compruebe que el nuevo HEPA-filter, elemento A, no está dañado.

**¡NOTA!**

No debe tocar la superficie del filtro.

- 6 Compruebe que la flecha ARRIBA, el elemento B, apunta hacia arriba. Manipule el HEPA-filter con mucho cuidado y colóquelo en el FilterCart W3. Asegúrese de que esté colocado en la posición correcta y de que la junta esté hacia abajo. Compruebe que la junta no esté dañada.
- 7 Vuelva a colocar la tapa superior. Ajústalo de forma segura.

ES

7 Piezas de repuesto

**PRECAUCIÓN! Riesgo de daño del equipo**

Utilice solo piezas de repuesto y accesorios originales Nederman.

Póngase en contacto con su distribuidor autorizado más próximo o con Nederman para asesoramiento sobre servicio técnico o si necesita ayuda con las piezas de repuesto. Consulte también www.nederman.com.

7.1 Solicitud de piezas de repuesto

Cuando encargue piezas de repuesto, indique siempre lo siguiente:

- Número de la pieza y de control (véase la placa de identificación del producto).
- Indique el número y el nombre de la pieza de repuesto (visite www.nederman.com/en/service/spare-part-search).
- Cantidad de piezas requeridas.

8 Accesorios

- Filtro final de alta eficiencia HEPA-filter H13, 7.5 m² (81 ft²), clase H13.
- Protección anti chispas, para montaje en la campana. Reduce el riesgo de incendio.

9 Reciclaje

El producto se ha diseñado para reciclar los materiales de los componentes. Distintos tipos de materiales deben manipularse según la normativa local aplicable. Contacte con el distribuidor o con Nederman si le plantea dudas cómo desechar el producto al final de su vida útil.

Sisällysluettelo

Kuvat	6
1 Esipuhe	41
2 Turvallisuus	41
2.1 Tärkeiden tietojen luokittelu	41
2.2 Yleiset turvallisuusohjeet	41
3 Kuvaus	42
3.1 Ylikuormitussuoja	42
3.2 Käyttöpaneelin ilmaisut	42
3.3 Mitat	42
3.4 Tekniset tiedot	43
4 Asennus	44
4.1 Käynnistysohjeet	44
4.2 Savunsiöjän imukartion asennus	44
4.3 Kytkenäkaavio	44
5 Käyttöohjeet	44
6 Huolto	44
6.1 Suodatinelementin vaihtaminen	45
6.2 HEPA-filter vaihtaminen (lisätarvike)	45
7 Varaosat	46
7.1 Varaosien tilaaminen	46
8 Lisävarusteet	46
9 Kierrätys	46

1 Esipuhe

Kiitos Nederman-tuotteen käyttämisestä!

Nederman Group on maailman johtava ympäristöteknologia-alan tuotteiden ja ratkaisujen toimittaja ja kehittäjä. Innovatiiviset tuotteemme suodattavat, puhdistavat ja kierrättävät ilmaa vaativimmissakin ympäristöissä. Nederman-tuotteet ja ratkaisut auttavat sinua parantamaan tuottavuuttasi, alentamaan kustannuksia ja vähentämään myös teollisten prosessien ympäristövaikutuksia.

Lue kaikki mukana toimitetut asiakirjat ja tuotteen tyyppikirje huolellisesti ennen tuotteen asentamista, käyttämistä tai huoltamista. Hanki kadonneiden tilalle uudet kappaleet välittömästi. Nederman pidättää oikeuden muuttaa ja parantaa tuotteitaan, dokumentaatio mukaan lukien, ilman ennakoilmoitusta.

Tämä tuote on suunniteltu täyttämään asianmukaisten EY-direktiivien vaatimukset. Direktiivien mukaisen tilan ylläpito edellyttää, että kaikki asennus-, korjaus- ja huoltotyöt suorittaa pätevä henkilöstö käyttäen ainoastaan Nederman alkuperäisiä varaosia ja tarvikkeita. Jos haluat neuvoja teknisistä palveluista tai tilata varaosia, ota yhteys lähimpään valtuutettuun jälleenmyyjään tai Nederman. Jos tuotteessa on toimitettaessa viallisia tai puuttuvia osia, ilmoita asiasta välittömästi kuljetusliikkeelle ja paikalliselle Nederman-edustajalle.

FI

2 Turvallisuus

2.1 Tärkeiden tietojen luokittelu

Tämä asiakirja sisältää tärkeitä tietoja, jotka annetaan joko varoituksina, huomautuksina tai ilmoituksina:



VAROITUS! Henkilövahingon riski

Varoitukset ilmoittavat mahdollisesta vaarasta käyttäjien terveydelle ja turvallisuudelle, ja niissä ilmoitetaan, miten vaaran voi välttää.



HUOMIO! Laitteaurion vaara

Huomautukset koskevat mahdollista vaaraa laitteelle mutta ei henkilöille, ja tapoja, joilla vaara voidaan välttää.



HUOMAUTUS!

Ilmoitukset sisältävät muuta henkilöstön kannalta tärkeää tietoa.

2.2 Yleiset turvallisuusohjeet



VAROITUS! Henkilövahingon riski

- Tulipalon sattuessa FilterCart W3 savu voi sisältää haitallisia aineita, kuten polttaminen polykarbonaatti, PVC, polyeteeni, jne. Lisäksi, riippuen materiaalista erotettiin, voi olla vaarallista savua erotetusta pölystä.
- Tuotetta ei saa käyttää tiloissa, joissa on olemassa räjähdysvaara tai pölyä tai kaasuja räjähtävänä pitoisuutena.
- Mikäli yksikköä on käytetty pölyn poistamiseen, sitä ei saa käyttää hitsaussavun tai hiontapölyn poistamiseen.
- Tarkista, ettei varteen pääse virtaamaan kipinöitä tai muita tekijöitä, jotka voisivat aiheuttaa tulipalon. Runsaasti kipinöivissä hitsaustilanteissa imukartioon on asennettava kipinäsuojus (lisävaruste) tulipalovaaran ehkäisemiseksi (ks. [Kuva 10](#)).
- Tuotetta ei saa käyttää myrkyllisten aineiden (paitsi hitsaus höyryjen) uuttamiseen.
- Tuotetta ei saa käyttää ilman suodatinelementtiä ja suodatinkotelo.
- Tuotetta ei saa käyttää suljetuissa tiloissa ilman yleistä ilmanvaihtoa.
- Vain asianmukaisesti koulutettu henkilöstö saa käyttää tätä tuotetta.

3 Kuvaus

FilterCart W3 suodattaa luokan W3 huurut, pölyn ja vastaavat epäpuhtaudet. Lisäksi se suodattaa CMR-aineita (karsinogeeniset mutageeniset lisääntymiselle vaaralliset) sisältävät hitsaushuurut, joita syntyy esim. hitsattaessa runsasseosteisia teräksiä tai hitsausaineita, joissa on yli 5 % (Cr, Ni).

FilterCart W3 on tarkoitettu ainoastaan sisäkäyttöön luokan W3 hitsaushuurujen poistamiseen ja suodattamiseen. Imukartio on varustettu tehokkaalla kohdevalolla.



HUOMAUTUS!

FilterCart W3 ei sisällä liitäntöjä poistoilman kanavointiin.

FI

3.1 Ylikuormitussuoja

Katso [Kuva 4](#). FilterCart W3 voidaan varustaa ylikuormitussuojalla, joka katkaisee virran automaattisesti, kun moottori kuumenee liikaa ylikuormitustilanteessa.

- C: Punainen valo osoittaa, että virta on katkaistu ja ylikuormitussuoja on vapautettu.
- D: Ylikuormitussuojan palautuspainike.

3.2 Käyttöpaneelin ilmaisut

Katso [Kuva 6](#).

- A Kun pistoke on liitetty pistorasiaan, valodiodit palavat yhtäjaksoisesti ja hälytyssignaali soi lyhyesti.
- B Vihreä valodiiodi vilkkuu: FilterCart W3 on liitetty sähköverkkoon (stand by).
- C Kun FilterCart W3 on käynnistetty vihreä valodiiodi palaa yhtäjaksoisesti. Puhallin on käynnissä.
- D FilterCart W3 on käyttövalmis ja hetken kuluttua vihreä valodiiodi palaa yhtäjaksoisesti. Laitteen oltua käynnissä jonkin aikaa, sävynsyöjän ilmavirta heikkenee ja painehäviö kasvaa, jolloin suodatinpatruuna on vaihdettava.
- E Valodiodit palavat yhtäjaksoisesti: Painehäviö on kasvanut. Ennakkovaroitus suodatinpatruunan vaihtotarpeesta.
- F Valodiodit palavat yhtäjaksoisesti ja noin 30 s kuluttua käynnistyy katkonainen hälytyssignaali. Vaihda suodatinpatruuna. Jos haluat lopettaa käynnissä olevan työn ennen suodatinpatruunan vaihtoa, voit pysäyttää hälytyssignaalin painamalla kerran käynnistyspainiketta. Hälytyssignaali aktivoituu noin 10 minuutin kuluttua. Jos painiketta painetaan kaksi kertaa, puhallin pysähtyy. Vaihtoehtoisesti puhallin voidaan pysäyttää sävynsyöjän imukartiossa olevalla kytkimellä.
- G Punainen valodiiodi vilkkuu = hälytysmuisti. FilterCart W3 on pysäytetty hälytyksen käynnistymisen jälkeen (edellä olevan mukaisesti) esimerkiksi työvuoron vaihtuessa. Suodatinpatruuna on vaihdettava.
- H Punainen valodiiodi palaa yhtäjaksoisesti ja katkonainen hälytyssignaali alkaa soida. Ylikuormitussuoja on lauennut. Etsi laukeamisen syy ja palauta ylikuormitussuoja painamalla "Motor Protector Reset"-painiketta.

3.3 Mitat

Katso [Kuva 1](#).

- A: Vaakasuora kääntyvä varsi.
- B: Varresta riippuen.

3.4 Tekniset tiedot

FilterCart W3	
Kapasiteetti	675-1050 m ³ /h (397-620 cfm)
Erotusaste, pääsuodatin	> 99 % keskimääräinen suodatusteho painon mukaan. Pienin hyötysuhde W3 (99 %), EN ISO 15012-1, MERV 14 (ASHRAE 52.2) *.
Suodatustehokkuus, HEPA-filter (lisävaruste)	> 99.95 % H13 *
Suodatusala, pääsuodatin	30 m ² (323 ft ²)
Suodatusala, HEPA-filter (lisävaruste)	7.5 m ² (81 ft ²)
Moottorin teho	0.75 kW (1 hp)
Jännite**	110/120/230/240 V
Vaihe	1 ~
Taajuus**	50/60 Hz
Muuntaja	24 V toisio
Kohdevalon	LED 24 V, 5W/6VA
Hälytyssignaali	akustinen, 2.9 kHz
Kohdepoistoletkusto, ulottuvuus	enintään 2 m (6 ft 7 in) tai 3 m (9 ft 10 in)
Kohdepoistoletkusto, imuvaristo	Noin. 240°
Paino	<ul style="list-style-type: none"> • 71 kg (156 lb) 2 m varrella • 73 kg (161 lb) 3 m varrella
Lämpötila, ympäristö, maks.	40 °C (104 °F)
Lämpötila, ilmavirta, maks.	60 °C (140 °F)
Äänitaso, mitattu ISO 11204:n mukaisesti.	73 dB(A)
Materiaalin kierrätys	90% painosta, ilman suodatinpatruunaa
Suojausluokka	IP42

* Katso tarkemmat tiedot suodatinpatruunan tiedoista.

** Mallista riippuen.

4 Asennus

4.1 Käynnistysohjeet

Katso [Kuva 4](#).

- 1 Varmista, että FilterCart W3 ei ole vaurioitunut kuljetuksen aikana.
- 2 Tarkista, että verkkojännite on sama kuin kilpissä.
- 3 Kytke sen jälkeen liitântäjohto pistokkeella sähköverkkoon. Valodiodit kohdassa B palavat yhtäjaksoisesti ja hälytyssignaali soi lyhyen aikaa. Valodiodissa kohdassa C vilkkuu vihreä valo (stand by).
- 4 Käynnistä FilterCart W3 virtakytkimellä A tai savunsyöjän imukartiossa olevalla kytkimellä.
- 5 Valodiodissa kohdassa C palaa yhtäjaksoisesti vihreä valo: Puhallin on käynnissä.

FI

4.2 Savunsyöjän imukartion asennus

Imukartion varsi on asennettu valmiiksi. Imukartio täytyy asentaa [Kuva 2](#) mukaisesti. Säädä nivelet niin, että imukartio on helppo asettaa haluttuun asentoon.



HUOMAUTUS!

X: Kaapelisilmukka.

4.3 Kytkentäkaavio

Katso [Kuva 3](#).

- M1: Puhallinmoottori, 0,75 kW (1 hv).
- A1: Piirilevy.
- T1: Muuntaja, 24 V toisio.
- K1: Kontaktori, puhaltimen.
- F1: Ylikuormitussuoja.
- E1: Kohdevalaisin, 20 W, 24 V.
- H1: Hälytyssignaali, 2,9 kHz.
- H2: Hälytyssignaali, 2,9 kHz.

* Jännite: mallista riippuen.

5 Käyttöohjeet

Katso [Osio 4.1 Käynnistysohjeet](#) ja [Kuva 5](#).

- Poistovarten asennettu imukartio tulee sijoittaa mahdollisimman lähelle kohtaa, jossa pölyä tai savua muodostuu, katso kohta A.



HUOMAUTUS!

Katso tarkat sijaintitiedot imukartion erillisestä käyttöohjeesta.

- FilterCart W3:a on siirrettävä siirtää takaa kohdan A mukaisesti ja pyörät lukitsemattomina.
- Poistovarren kohdistamisen aikana pyörien tulee olla lukittuna kohdan C mukaisesti.

6 Huolto



VAROITUS! Henkilövahingon riski

- Irrota virtajohto aina ennen huoltotoimenpiteiden aloittamista.
- Käytä tarvittavia henkilösuojavarusteita.
- FilterCart W3 on puhdistettava ennen purkamista.
- FilterCart W3 saa purkaa vain hyvin ilmastoidussa tilassa.
- Käytä asianmukaisia laitteita, kuten pölynimuria, FilterCart W3 puhdistamiseen.
- Huoltoalue on puhdistettava kunnolla työn päätyttyä.

Katso [Kuva 9](#). Huoltoa suositellaan vähintään kerran vuodessa. Toimi seuraavasti:

- Vaihda suodatinpatruuna (ja valinnainen HEPA-filter) tarvittaessa, ks. [Osio 6.1 Suodatinelementin vaihtaminen](#)

- Tarkasta, ettei savunsiöjän letku ole vaurioitunut. Vaihda letku tarvittaessa.
- Tarkasta, ettei puhaltimen imuaukkoon menevä letku ole vaurioitunut. Vaihda letku tarvittaessa.
- Tarkasta, ettei puhaltimen imuaukon suojaverkkoon ole tarttunut mitään.
- Tarkasta, ettei paineenmittausletku (ohjauspaneelistä) ole vaurioitunut ja että se on kunnolla paikallaan.
- Säädä poistovarren niveliä tarvittaessa.
- Kiristä varren kiinnityspultteja tarvittaessa, jotka on merkitty *-merkillä [Kuva 9](#).
- Tarkasta, etteivät verkkokaapeli ja puhallinmoottorin kaapeli ole kuluneet eivätkä vaurioituneet.
- Tarkasta, että epäkeskolukot kiinnittävät suodatinkotelon tiukasti kiinni. Säädä epäkeskolukkoja tarvittaessa. Ks. [Osio 6.1 Suodatinelementin vaihtaminen](#).

6.1 Suodatinelementin vaihtaminen

Katso [Kuva 7](#). Suodatinelementti on kertakäyttöinen ja se tulee hävittää käytön jälkeen. Suodatinelementin käyttöikä vaihtelee paljon yksikön käytöstä ja poistettavien epäpuhtauksien määrästä ja tyypistä riippuen.

Tarkasta käyttöpaneelin painehäviösymbolissa olevat valodiodit säännöllisesti nähdäksesi, milloin suodatinpatruuna on vaihdettava, katso [Osio 3.2 Käyttöpaneelin ilmaiset](#)). Tarkasta aina ennen suodatinpatruunan vaihtoa, etteivät imuvarten ja puhaltimen imuaukkoon menevät letkut ole vaurioituneet.



VAROITUS! Henkilövahingon riski

Käytä tarvittavia henkilösuojavarusteita suodatinpatruunoita vaihdettaessa.

Vaihda suodatinpatruuna seuraavasti:

- 1 Irrota virtajohto virtalähteestä.
- 2 Avaa epäkeskolukot ja ota suodatinkotelo pois.
- 3 Vedä käytetyn elementin päälle uuden suodattimen mukana toimitettu muovipussi. Vie muovipussi elementin alle.
- 4 Pyyhi FilterCart W3in suodatinpatruunan kosketuspinnat puhtaiksi pölyrievulla. Pane pölyriepu ja suodatinpatruuna muovipussiin ja sulje pussi mukana toimitetulla nauhalla.
- 5 Noudata käytetyn suodatinpatruunan käsittelyssä suodattimeen kerääntyneille aineille voimassa olevia säädöksiä.
- 6 Tarkasta, ettei paineenmittausletku (ohjauspaneelistä) ole vaurioitunut ja että se on kunnolla paikallaan.
- 7 Tarkasta, ettei uusi suodatinpatruuna ole vaurioitunut Tarkasta myös, että patruunan alle asennettu tiiviste ei ole vaurioitunut. Asenna sen jälkeen patruuna FilterCart W3in.
- 8 Asenna suodatinkotelo takaisin paikalleen. Varmista, että epäkeskolukot kiinnittävät suodatinkotelon tiukasti kiinni.
 - A: Lukitusvoiman lisäys.
 - B: Lukitusvoiman vähennys.

6.2 HEPA-filter vaihtaminen (lisätarvike)

Katso [Kuva 8](#). Jos FilterCart W3 on varustettu HEPA-filtermella, se on vaihdettava yhtä aikaa pääsuodattimen patruunan kanssa.



VAROITUS! Henkilövahingon riski

Käytä tarvittavia henkilösuojavarusteita HEPA-filtterta vaihdettaessa.

Vaihda HEPA-filterpatruuna seuraavasti:

- 1 Irrota virtajohto virtalähteestä.
- 2 Kierrä kansi irti.
- 3 Poista käytetty HEPA-filter ja pane se uuden HEPA-suodattimen mukana toimitettuun muovipussiin. Sulje muovipussi mukana toimitetulla nauhalla.
- 4 Noudata käytetyn HEPA-filtermen käsittelyssä suodattimeen kerääntyneille aineille voimassa olevia säädöksiä.
- 5 Tarkista, että uusi HEPA-filter, kohta A, ei ole vahingoittunut.



HUOMAUTUS!

Suodattimen pintaan ei saa koskea.

- 6 Varmista, että YLÖS-nuoli, kohta B, osoittaa ylöspäin. Käsittele HEPA-filter-suodatinta erittäin varovasti ja asenna se FilterCart W3:een. Varmista, että se asennetaan oikeaan asentoon tiiviste alaspäin. Tarkista, ettei tiiviste ole vaurioitunut.
- 7 Asenna kansi paikalleen. Kiinnitä se kunnolla.

7 Varaosat



HUOMIO! Laitteaurion vaara

Käytä vain Nederman alkuperäisiä varaosia ja lisävarusteita.

FI

Jos haluat neuvoja teknisistä palveluista tai tilata varaosia, ota yhteys lähimpään valtuutettuun Nederman-jälleenmyyjään. Katso myös www.nederman.com.

7.1 Varaosien tilaaminen

Varaosa tilattaessa ilmoita aina seuraavat tiedot:

- Osa- ja tarkistusnumero (katso tuotteen tyyppikilpeä).
- Varaosan osanumero ja nimi (katso www.nederman.com/en/service/spare-part-search).
- Tarvittavien varaosien lukumäärä.

8 Lisävarusteet

- HEPA-filter H13, 7.5 m² (81 ft²) tehokas loppusuodatin, luokka H13.
- Kipinäsuoja, asennettavaksi imukartioon. Tulipalovaaran vähentämiseksi.

9 Kierrätys

Tuote on suunniteltu siten, että osien materiaalit voidaan kierrättää. Eri materiaalityypit on käsiteltävä paikallisten säädösten mukaan. Ota kysymyksissä yhteys jälleenmyyjään tai Nederman, kun tuote heitetään pois sen käyttöään lopussa.

Table des matières

Images	6
1 Préface	48
2 Sécurité	48
2.1 Classification des informations importantes	48
2.2 Consignes de sécurité générales	48
3 Description	49
3.1 Protecteur de surcharge	49
3.2 Indications du tableau de commande	49
3.3 Dimensions	49
3.4 Caractéristiques techniques	50
4 Installation	51
4.1 Instructions de mise en marche	51
4.2 Mise en place de la hotte d'aspiration des fumées	51
4.3 Schéma de câblage	51
5 Consignes d'utilisation	51
6 Maintenance	51
6.1 Remplacement de la cartouche filtrante	52
6.2 Remplacement du HEPA-filter (accessoire)	52
7 Pièces de rechange	53
7.1 Commande de pièces de rechange	53
8 Accessoires	53
9 Recyclage	53

1 Préface

Merci d'utiliser un produit Nederman !

Le Groupe Nederman est un fournisseur et développeur leader de produits et solutions pour le secteur de la technologie environnementale. Nos produits innovants filtrent, nettoient et recyclent les environnements les plus exigeants. Les produits et solutions Nederman vous aideront à améliorer votre productivité et à réduire les coûts et l'impact environnemental de vos processus industriels.

Lire attentivement toute la documentation et la plaque signalétique du produit avant l'installation, l'utilisation et l'entretien de ce produit. Remplacer immédiatement la documentation en cas de perte. Nederman se réserve le droit, sans préavis, de modifier et d'améliorer ses produits, y compris la documentation.

Ce produit est conçu pour être conforme aux exigences des directives européennes en vigueur. Pour conserver ce statut, tous les travaux d'installation, de maintenance et de réparation doivent être effectués par du personnel qualifié en n'utilisant que des pièces de rechange et accessoires Nederman d'origine. Pour obtenir des conseils techniques et des pièces de rechange, contacter le distributeur agréé le plus proche ou Nederman. En cas de pièces endommagées ou manquantes à la livraison du produit, en informer immédiatement le transporteur et le représentant Nederman local.

FR

2 Sécurité

2.1 Classification des informations importantes

Ce document contient des informations importantes qui sont présentées sous forme d'avertissement, de mise en garde ou de note :



ATTENTION! Risque de blessures du personnel.

Les avertissements indiquent un danger potentiel lié à la santé et à la sécurité du personnel et expliquent comment ce danger peut être évité.



ATTENTION! Risque de dommages sur l'équipement

Les mises en garde indiquent un danger potentiel pour le produit, mais pas pour le personnel et expliquent comment ce danger peut être évité.



NOTE!

Les remarques contiennent d'autres informations qui sont importantes pour le personnel.

2.2 Consignes de sécurité générales



ATTENTION! Risque de blessures du personnel.

- En cas d'incendie, la fumée de ce FilterCart W3 peut contenir des substances dangereuses telles que des substances issues de la combustion de polycarbonate, PVC, polyéthylène, etc. En outre, selon l'application, il peut y avoir de la fumée dangereuse émanant de la poussière du matériau travaillé.
- Le produit ne doit pas être utilisée dans un environnement comportant des risques d'explosion ou pour des concentrations explosives de poussière ou de gaz.
- Si le produit a été utilisée pour des applications de poussière, elle ne doit pas être utilisée pour les fumées de soudage ou la poussière de meulage.
- Vérifier qu'aucune étincelle ou aucun objet pouvant déclencher un incendie ne soit aspiré dans le bras. Pour les applications de soudage produisant de grandes quantités d'étincelles, un pare-étincelles (accessoire) peut être installé sur la hotte afin de réduire le risque d'incendie (voir aussi le [Image 10](#)).
- Le produit ne doit pas être utilisée pour l'extraction de substances toxiques (à l'exception des fumées de soudure).
- Le produit ne doit pas être utilisée sans cartouche de filtre et boîtier.
- Le produit ne doit pas être utilisé dans des espaces clos sans ventilation générale.
- Seul le personnel formé est autorisé à utiliser ce produit.

3 Description

FilterCart W3 filtre les polluants tels que les fumées et la poussière, classe W3. En outre, il filtre les fumées de soudage contenant des substances CMR (cancérogènes, mutagènes, toxiques pour la reproduction), par exemple générées par le soudage d'aciers fortement alliés ou le soudage de consommables à plus de 5% (Cr, Ni).

FilterCart W3 est uniquement destiné à un usage intérieur et est conçu pour l'extraction et la filtration des fumées de soudage, classe W3. La hotte est équipée d'un éclairage efficace.



NOTE!

Le FilterCart W3 ne comporte pas de raccordements permettant de canaliser l'air d'échappement.

3.1 Protecteur de surcharge

Voir [Image 4](#). Le FilterCart W3 est muni d'un protecteur de surcharge, de sorte que l'alimentation est coupée automatiquement en cas de surcharge du moteur de ventilateur.

- C: Le voyant rouge indique une alimentation déconnectée et une protection contre les surcharges libérée.
- D: Bouton de réinitialisation du protecteur de surcharge.

3.2 Indications du tableau de commande

Voir [Image 6](#).

- A Une fois la fiche branchée sur le secteur, les diodes luminescentes émettent une lumière continue et un bref signal d'alarme sonore est émis.
- B La diode luminescente clignote d'une lumière verte : FilterCart W3 a été branché sur le secteur (attente).
- C Quand FilterCart W3 est mis en marche, la diode luminescente émet une lumière verte continue. Le ventilateur est en marche.
- D FilterCart W3 est prêt à être utilisé et, après un certain délai, la diode émet une lumière verte continue. Après un certain temps d'utilisation, le débit d'air à travers le bras extracteur est réduit, la chute de pression augmente et la cartouche filtrante devra donc être remplacée.
- E Les diodes luminescentes émettent une lumière continue : La chute de pression a augmenté. Avertissement pour le changement de la cartouche filtrante.
- F Les diodes luminescentes émettent une lumière continue et après environ 30 s, un signal d'alarme intermittent est émis. Changer la cartouche filtrante. Pour terminer le travail en cours avant le changement de la cartouche filtrante, le signal d'alarme doit être arrêté en appuyant une fois sur le bouton de démarrage. Le signal d'alarme est activé après environ 10 minutes. Deux pressions sur le bouton de démarrage arrêtent le ventilateur. Le ventilateur peut aussi être arrêté à l'aide de l'interrupteur situé sur la hotte de l'extracteur de fumées.
- G La diode luminescente clignote d'une lumière rouge = mémoire d'alarme. FilterCart W3 a été arrêté après le déclenchement de l'alarme (comme indiqué ci-dessus), par exemple en cas de changement d'équipe. La cartouche filtrante doit être remplacée.
- H La diode luminescente émet une lumière continue rouge et un signal d'alarme sonore intermittent se met en marche. Le protecteur de surcharge s'est déclenché. Déterminer la raison de ce déclenchement et réinitialiser le protecteur de surcharge en appuyant sur le bouton « Motor Protector Reset » (RAZ du protecteur de surcharge).

3.3 Dimensions

Voir [Image 1](#).

A: Bras pivotant horizontal.

B: Selon le bras.

3.4 Caractéristiques techniques

FilterCart W3	
Capacité	675-1050 m ³ /h (397-620 cfm)
Efficacité de filtration, filtre principal	> 99 % d'efficacité moyenne de filtration de poids. Efficacité minimale W3 (99%), EN ISO 15012-1, MERV 14 (ASHRAE 52.2) *.
Capacité de filtration, HEPA-filtre (accessoire)	> 99.95 % H13 *
Surface filtrante, filtre principal	30 m ² (323 ft ²)
Surface filtrante, HEPA-filtre (accessoire)	7.5 m ² (81 ft ²)
Puissance du moteur	0.75 kW (1 hp)
Tension **	110/120/230/240 V
Phase	1 ~
Fréquence **	50/60 Hz
Transformateur	24 V secondaire
Eclairage	LED 24 V, 5W/6VA
Signal d'alarme	acoustique, 2.9 kHz
Bras d'extraction, rayon d'action	maximum 2 m (6 ft 7 in) ou 3 m (9 ft 10 in)
Bras extracteur, bras orientable	env. 240°
Poids	<ul style="list-style-type: none"> • 71 kg (156 lb) avec bras de 2 m • 73 kg (161 lb) avec bras de 3 m
Température, température ambiante max.	40 °C (104 °F)
Température, température de débit d'air max.	60 °C (140 °F)
Niveau sonore, mesures effectuées conformément à ISO 11204.	73 dB(A)
Recyclage des matériaux	90% du poids, sans cartouche filtrante
Classe de protection	IP42

* Voir les informations sur la cartouche filtrante pour des données plus spécifiques.

** En fonction du modèle.

4 Installation

4.1 Instructions de mise en marche

Voir [Image 4](#).

- 1 Contrôler que le FilterCart W3 n'a pas subi de dommages en cours de transport.
- 2 Vérifiez que la tension secteur est la même que sur la plaque signalétique.
- 3 Raccorder le câble de connexion avec la fiche au réseau. Les diodes lumineuses à B sont allumées en continu et un signal d'alarme bref est émis. La diode à C clignote d'une lumière verte (mode d'attente).
- 4 Démarrer le FilterCart W3 à l'aide du disjoncteur A ou à l'aide de l'interrupteur situé sur la hotte du bras extracteur.
- 5 La diode à C émet une lumière verte continue : Le ventilateur est en marche.

4.2 Mise en place de la hotte d'aspiration des fumées

Le bras d'aspiration des fumées est déjà monté. La hotte doit être mise en place conformément aux [Image 2](#). Ajuster les articulations de manière à ce que la hotte puisse facilement être positionnée.



NOTE!

X: Câble avec boucle.

4.3 Schéma de câblage

Voir [Image 3](#).

- M1: Moteur du ventilateur, 0.75 kW (1 hp).
 - A1: Carte de circuits.
 - T1: Transformateur, 24 V secondaire.
 - K1: Relais, ventilateur.
 - F1: Protecteur de surcharge.
 - E1: Eclairage, 20 W, 24 V.
 - H1: Signal d'alarme, 2,9 kHz.
 - H2: Signal d'alarme, 2,9 kHz.
- * Tension : selon le modèle.

5 Consignes d'utilisation

Voir les schémas 1 et 2.

- La hotte du bras d'aspiration doit être placée aussi près que possible de la source de pollution. Voir le point A.



NOTE!

Pour des détails spécifiques sur le positionnement, voir le manuel séparé de la hotte.

- FilterCart W3 doit être déplacé depuis l'arrière comme indiqué sur le point B et avec les roues déverrouillées.
- Le bras d'aspiration doit être positionné avec les roues verrouillées conformément au point C.

6 Maintenance



ATTENTION! Risque de blessures du personnel.

- Débrancher le câble de raccordement au secteur avant de commencer tout travail de maintenance.
- Porter l'équipement de sécurité individuel requis.
- FilterCart W3 doit être nettoyé avant tout démontage.
- FilterCart W3 ne doit être démonté que dans une pièce bien ventilée.
- Utilisez un équipement approprié, tel qu'un aspirateur pour nettoyer FilterCart W3.
- La zone où la maintenance est effectuée doit être correctement nettoyée une fois les travaux terminés.

Voir [Image 9](#). La maintenance est recommandée au moins une fois par an. Procédez comme suit :

- Remplacer la cartouche filtrante (et HEPA-filter en option) si nécessaire, voir [Section 6.1 Remplacement de la cartouche filtrante](#).
- Contrôler que le tuyau de l'extracteur de fumées n'est pas endommagé. Remplacer le tuyau si nécessaire.
- Contrôler que le tuyau de l'entrée du ventilateur n'est pas endommagé. Remplacer le tuyau si nécessaire.
- Vérifier qu'aucun objet n'est bloqué sur la grille à l'entrée du ventilateur.
- Vérifier que le tuyau de chute de pression (depuis le tableau de commande) n'est pas abîmé et qu'il est branché correctement.
- Si nécessaire, ajuster les articulations de l'extracteur de fumées.
- Si nécessaire, serrer les boulons de profil de bras, voir les symboles * dans le [Image 9](#).
- Vérifier que le câble de raccordement au secteur et le câble du moteur du ventilateur ne sont pas usés ou endommagés.
- Contrôler que les verrous excentriques serrent correctement le boîtier de filtre. Régler les verrous excentriques si nécessaire. Voir [Section 6.1 Remplacement de la cartouche filtrante](#).

FR

6.1 Remplacement de la cartouche filtrante

Voir [Image 7](#). La cartouche filtrante dont est muni l'appareil ne sert qu'une fois et doit être jetée une fois usagée. La durée de la cartouche peut varier considérablement et dépend de l'utilisation de l'appareil et de la nature des substances filtrées.

Contrôler régulièrement les diodes lumineuses sur le symbole de la chute de pression du tableau de commande pour savoir quand la cartouche filtrante doit être remplacée, voir [Section 3.2 Indications du tableau de commande](#). Avant de décider de remplacer la cartouche filtrante, toujours contrôler que les tuyaux du bras d'aspiration et l'entrée du ventilateur ne sont pas endommagés.



ATTENTION! Risque de blessures du personnel.

Porter l'équipement de sécurité individuel requis pour le remplacement des cartouches filtrantes.

Remplacer la cartouche filtrante de la manière suivante:

- 1 Débrancher le câble de raccordement au secteur.
- 2 Déverrouiller les verrous excentriques et retirer le boîtier du filtre.
- 3 Utiliser le sac en plastique fourni avec la cartouche filtrante neuve et le placer sur l'ancienne cartouche. Replier le sac en plastique sous la cartouche.
- 4 Utiliser un chiffon pour nettoyer les surfaces de contact de la cartouche filtrante du FilterCart W3. Placer le chiffon dans un sac en plastique avec la cartouche filtrante et fermer le sac à l'aide du lien fourni.
- 5 Disposer de la cartouche filtrante usagée en suivant les règlements relatifs aux déchets industriels et compte tenu de la nature des substances filtrées.
- 6 Vérifier que le tuyau de chute de pression (depuis le tableau de commande) n'est pas abîmé et qu'il est branché correctement.
- 7 Contrôler que la cartouche filtrante neuve n'est pas endommagée. Vérifier également que le joint placé sous la cartouche n'est pas abîmé. Placer ensuite la cartouche sur FilterCart W3.
- 8 Remettre en place le boîtier du filtre. S'assurer que les verrous excentriques verrouillent correctement le boîtier du filtre.
 - A: Augmenter la force de verrouillage.
 - B: Diminuer la force de verrouillage.

6.2 Remplacement du HEPA-filter (accessoire)

Voir [Image 8](#). Si le FilterCart W3 a été fourni sans HEPA-filter, le remplacer lors du remplacement de la cartouche principale.



ATTENTION! Risque de blessures du personnel.

Porter l'équipement de sécurité individuel requis pour le remplacement du HEPA-filter.

Remplacer la cartouche HEPA-filter de la manière suivante:

- 1 Débrancher le câble de raccordement au secteur.
- 2 Dévisser le couvercle supérieur.

- 3 Retirer le HEPA-filter usagé et le placer dans le sac en plastique fourni avec le filtre HEPA neuf. Fermer le sac en plastique à l'aide de la courroie fournie.
- 4 Traiter le HEPA-filter usagé conformément à la réglementation en vigueur pour les substances recueillies.
- 5 Vérifier que le nouveau HEPA-filter, point A, n'est pas endommagé.

**NOTE!**

La surface du filtre ne doit pas être touchée.

- 6 Vérifier que la flèche vers le haut, point B, est orientée vers le haut. Manipuler le HEPA-filter avec précaution et le placer dans le FilterCart W3. Vérifier qu'il est positionné correctement et que le joint est orienté vers le bas. Contrôler que le joint n'est pas abîmé.
- 7 Remplacer le couvercle supérieur. Fixer le solidement.

7 Pièces de rechange

FR

**ATTENTION! Risque de dommages sur l'équipement**

Utiliser uniquement des pièces de rechange et accessoires Nederman d'origine.

Pour obtenir des conseils techniques ou des renseignements concernant les pièces de rechange, contacter le distributeur agréé le plus proche ou Nederman. Consulter également www.nederman.com.

7.1 Commande de pièces de rechange

Les informations suivantes doivent être indiquées lors de la commande de pièces de rechange:

- Numéro de pièce et de contrôle (cf. la plaque signalétique du produit).
- Numéro d'article et nom de la pièce de rechange (voir www.nederman.com/en/service/spare-part-search).
- Quantité de pièces nécessaires.

8 Accessoires

- HEPA-filter H13, filtre finisseur de 7.5 m² (81 ft²) à haute efficacité, classe H13.
- Protection contre les étincelles, pour montage dans la hotte. Pour réduire le risque d'incendie.

9 Recyclage

Le produit a été conçu pour que les matériaux des composants soient recyclés. Les différents types de matériaux le composant doivent être traités conformément aux réglementations locales en vigueur. Contacter le distributeur ou Nederman en cas de question concernant la mise au rebut du produit à la fin de sa durée de service.

Sommario

Immagini	6
1 Premessa	55
IT 2 Sicurezza	55
2.1 Classificazione di informazioni importanti	55
2.2 Istruzioni generali di sicurezza	55
3 Descrizione	56
3.1 Protezione contro il sovraccarico	56
3.2 Indicazioni sul quadro di comando	56
3.3 Dimensioni	56
3.4 Dati tecnici	57
4 Installazione	58
4.1 Istruzioni per l'avviamento	58
4.2 Montaggio della cappa	58
4.3 Schema elettrico	58
5 Istruzioni per l'uso	58
6 Manutenzione	58
6.1 Sostituzione della cartuccia filtrante	59
6.2 Sostituzione del HEPA-filter (accessorio)	59
7 Ricambi	60
7.1 Ordinazione di ricambi	60
8 Accessori	60
9 Riciclaggio	60

1 Premessa

Grazie per aver utilizzato un prodotto Nederman!

Il gruppo Nederman è leader mondiale nella fornitura e nello sviluppo di prodotti e soluzioni per il settore delle tecnologie ambientali. I nostri prodotti innovativi filtreranno, puliranno e ricicleranno negli ambienti più esigenti. I prodotti e le soluzioni ti aiuteranno a migliorare la tua produttività, ridurre i costi e anche l'impatto ambientale dei processi industriali.

Il presente manuale è una guida all'installazione, all'uso e alla manutenzione del prodotto. Leggerlo con attenzione prima di utilizzare il prodotto o di sottoporlo a manutenzione. Sostituirlo immediatamente in caso di smarrimento o danneggiamento. Nederman si riserva il diritto, senza preavviso, di modificare e migliorare i propri prodotti, inclusa la documentazione.

Questo prodotto è progettato per soddisfare i requisiti delle direttive CE. Per mantenere tale stato, tutti i lavori di installazione, manutenzione e riparazione devono essere effettuati da personale qualificato utilizzando esclusivamente ricambi originali. Contattare il rivenditore più vicino o Nederman per consigli relativi all'assistenza tecnica e per richiedere i ricambi. In caso di componenti danneggiati o mancanti al momento della consegna del prodotto, avvisare immediatamente il corriere o il concessionario Nederman locale.

IT

2 Sicurezza

2.1 Classificazione di informazioni importanti

Il presente documento contiene informazioni importanti presentate come avvertenze, precauzioni o note:



AVVERTENZA! Rischio di lesioni personali

Le avvertenze indicano un potenziale pericolo per la salute e la sicurezza del personale e come questo pericolo può essere evitato.



ATTENZIONE! Rischio di danni all'apparecchiatura

Attenzione indica un potenziale pericolo per il prodotto, ma non per il personale, e come questo pericolo può essere evitato.



NOTA!

Le note contengono altre informazioni importanti per il personale.

2.2 Istruzioni generali di sicurezza



AVVERTENZA! Rischio di lesioni personali

- In caso di incendio, il fumo emesso dal FilterCart W3 potrebbe contenere sostanze pericolose quali policarbonato ardente, PVC, polietilene ecc. Fumi pericolosi potrebbero essere emessi anche dalle polveri separate, in base al materiale.
- Non utilizzare l'unità in ambienti con rischio di esplosione o dove ci siano polveri o gas in concentrazioni esplosive.
- Se l'unità è stata utilizzata per applicazioni polverose, non deve essere utilizzata per fumi di saldatura o polveri di smerigliatura.
- Controllare la presenza all'interno del braccio di scintille o altri oggetti che possano causare incendi. Per operazioni di saldatura che prevedono un'elevata quantità di scintille, è necessario montare una protezione parascintille (opzionale) nella cappa per ridurre il rischio di incendio (vedere anche [Immagine 10](#)).
- L'unità non deve essere utilizzata per estrarre sostanze tossiche (ad esclusione dei fumi di saldatura).
- L'unità non deve essere utilizzata senza cartuccia filtrante e carter.
- Il prodotto non deve essere utilizzato in ambienti chiusi senza ventilazione generale.
- Il prodotto può essere utilizzato solo da personale esperto.

3 Descrizione

FilterCart W3 filtra agenti inquinanti come fumi e polveri classe W3, oltre ai fumi di saldatura contenenti sostanze CMR (cancerogene, mutagene, tossiche per la riproduzione) generati, ad esempio, dalla saldatura di acciai atolegati o materiali di consumo per saldatura con oltre il 5% (Cr, Ni).

FilterCart W3 è progettato solo per uso interno e per l'estrazione e la filtrazione di polveri o di fumi di saldatura classe W3. La cappetta è dotata di un efficiente faretto.



NOTA!

FilterCart W3 non è dotato di collegamento per la canalizzazione dell'aria di scarico.

3.1 Protezione contro il sovraccarico

Vedere [Immagine 4](#). Il FilterCart W3 è equipaggiato con un dispositivo di sicurezza che permette il disinserimento della corrente in caso di sovraccarico sul motore del ventilatore.

IT

- C: La luce rossa indica l'alimentazione scollegata e la protezione da sovraccarico rilasciata.
- D: Pulsante di ripristino della protezione dal sovraccarico.

3.2 Indicazioni sul quadro di comando

Vedere [Immagine 6](#).

- A Quando l'alimentazione di rete è collegata, i LED rimangono accesi e viene emesso un breve segnale acustico di allarme.
- B Il LED lampeggia in verde: Il FilterCart W3 è collegato all'alimentazione di rete (standby).
- C All'avviamento del FilterCart W3, il LED rimane acceso in verde: il ventilatore è in funzione.
- D Il FilterCart W3 è pronto all'uso e dopo un breve periodo il LED rimane acceso in verde. Dopo un certo periodo d'uso, il flusso d'aria nel braccio di estrazione si attenua ed aumenta la caduta di pressione, quindi occorre sostituire la cartuccia del filtro.
- E Quando i LED rimangono accesi, la caduta di pressione è aumentata (preavviso per la sostituzione della cartuccia del filtro).
- F I LED rimangono accesi e dopo 30 secondi circa viene emesso un segnale di allarme intermittente: sostituire la cartuccia del filtro. Per completare il lavoro in corso prima di sostituire la cartuccia del filtro, il segnale di allarme può essere disattivato premendo una volta il pulsante di avviamento. Il segnale di allarme si riattiva dopo 10 minuti circa. Premendo due volte il pulsante di avviamento, il ventilatore si spegne. In alternativa, il ventilatore può essere spento con l'interruttore sulla cappa del braccio di estrazione.
- G Il LED lampeggia in rosso = allarme in memoria. Il FilterCart W3 è stato spento dopo l'attivazione di un allarme (vedere sopra), ad esempio alla fine di un turno di lavoro. La cartuccia del filtro deve essere sostituita.
- H Il LED rimane acceso in rosso e viene emesso un segnale acustico di allarme intermittente: è scattata la protezione dal sovraccarico. Localizzare la causa e ripristinare la protezione dal sovraccarico premendo il pulsante "Ripristino protezione motore".

3.3 Dimensioni

Vedere [Immagine 1](#).

- A: Braccio orientabile orizzontale.
- B: A seconda del braccio.

3.4 Dati tecnici

FilterCart W3	
Capacità	675-1050 m ³ /h (397-620 cfm)
Efficienza di filtrazione, filtro principale	> 99 % media di efficienza di filtrazione sul peso. Efficienza minima W3 (99%), EN ISO 15012-1, MERV 14 (ASHRAE 52.2) *.
Efficienza di filtrazione, HEPA-filter (accessorio)	> 99.95 % H13 *
Area del filtro, filtro principale	30 m ² (323 ft ²)
Area del filtro, HEPA-filter (accessorio)	7.5 m ² (81 ft ²)
Potenza del motore	0.75 kW (1 hp)
Voltaggio **	110/120/230/240 V
Fase	1 ~
Frequenza **	50/60 Hz
Trasformatore	24 V secondario
Illuminazione	LED 24 V, 5W/6VA
Segnale di allarme	acustico, 2.9 kHz
Braccio di estrazione, raggio di azione **	max. 2 m (6 ft 7 in) o 3 m (9 ft 10 in)
Braccio di estrazione, braccio girevole	circa. 240°
Peso	<ul style="list-style-type: none"> • 71 kg (156 lb) con braccio da 2 m • 73 kg (161 lb) con braccio da 3 m
Temperatura, massima temperatura ambiente	40 °C (104 °F)
Temperatura, massima temperatura flusso d'aria	60 °C (140 °F)
Rumorosità, Misurata in base alla norma ISO 11204.	73 dB(A)
Riciclaggio del materiale	90% del peso, senza cartuccia del filtro
Classe di protezione	IP42

* Vedere le informazioni sulla cartuccia del filtro per dati più specifici.

** A seconda del modello.

4 Installazione

4.1 Istruzioni per l'avviamento

Vedere [Immagine 4](#).

- 1 Controllare che il FilterCart W3 non sia stato danneggiato durante il trasporto.
- 2 Verificare che la tensione di rete sia la stessa della targa segnaletica.
- 3 Collegare quindi il cavo di alimentazione. I LED B rimangono accesi e viene emesso un breve segnale acustico di allarme. Il LED C lampeggia in verde (standby).
- 4 Avviare il FilterCart W3 con il pulsantino A o con l'interruttore sulla cappa del braccio di estrazione.
- 5 Il LED C rimane acceso in verde: il ventilatore è in funzione.

4.2 Montaggio della cappa

Il braccio di estrazione viene fornito già montato. La cappa deve essere montata come illustrato nelle [Immagine 2](#). Regolare i tiranti in modo da poter posizionare facilmente la cappa.

IT



NOTA!

X: Cavo con tesoro.

4.3 Schema elettrico

Vedere [Immagine 3](#).

- M1: Motore ventola, 0,75 kW (1 CV).
- A1: Circuito stampato.
- T1: Trasformatore, 24 V secondaria.
- K1: Contattore, ventilatore.
- F1: Dispositivo di sicurezza.
- E1: Illuminazione, 20 W, 24 V.
- H1: Segnale di allarme, 2,9 kHz.
- H2: Segnale di allarme, 2,9 kHz.

* Tensione: in base al modello.

5 Istruzioni per l'uso

Vedere [Sezione 4.1 Istruzioni per l'avviamento](#) e [Immagine 5](#).

- Posizionare la cappa del braccio di estrazione il più vicino possibile alla fonte di inquinamento, vedere l'elemento A.



NOTA!

Per dettagli specifici circa il posizionamento, consultare il manuale separato della cappa.

- Spostare FilterCart W3 da dietro, secondo la figura, elemento B, con le ruote sbloccate.
- Posizionare il braccio di estrazione con le ruote bloccate, elemento C.

6 Manutenzione



AVVERTENZA! Rischio di lesioni personali

- Scollegare il cavo di alimentazione prima di iniziare qualsiasi intervento di manutenzione.
- Utilizzare dispositivi di protezione personale adeguati.
- FilterCart W3 deve essere pulito prima di qualsiasi smontaggio.
- FilterCart W3 deve essere smontato solo in una stanza ben ventilata.
- Utilizzare attrezzatura adatta, come ad esempio un aspirapolvere, per pulire FilterCart W3.
- L'area in cui viene eseguita la manutenzione deve essere adeguatamente pulita al termine del lavoro.

Vedere [Immagine 9](#). Si consiglia di eseguire la manutenzione almeno una volta all'anno. Procedere come indicato di seguito:

- Sostituire la cartuccia filtrante (e il HEPA-filter opzionale) se necessario, Vedere [Sezione 6.1 Sostituzione della cartuccia filtrante](#).
- Controllare che il flessibile della caduta di pressione (dal quadro di comando) sia integro e montato correttamente.
- Regolare i tiranti del braccio di estrazione.
- Verificare che non vi siano oggetti incastrati nella protezione sull'ingresso del ventilatore.
- Controllare che il flessibile della caduta di pressione (dal quadro di comando) sia integro e montato correttamente.
- Se necessario, regolare le connessioni dell'estrattore di fumi.
- Se necessario, serrare i bulloni del profilo del braccio, vedere i simboli * in [Immagine 9](#).
- Controllare che il cavo di alimentazione e il cavo del motore del ventilatore non siano usurati o danneggiati.
- Assicurarci che i blocchi eccentrici tendano in maniera corretta il carter del filtro. Se necessario, regolare i blocchi eccentrici. Vedere [Sezione 6.1 Sostituzione della cartuccia filtrante](#).

6.1 Sostituzione della cartuccia filtrante

Vedere [Immagine 7](#). La cartuccia filtrante è monouso e va smaltita dopo l'uso. La vita di servizio della cartuccia filtrante varia notevolmente a seconda di come e quanto l'unità viene utilizzata e di che tipo di sostanza inquinante viene aspirata.

Controllare regolarmente i LED sul simbolo della caduta di pressione sul quadro di comando per verificare quando deve essere sostituita la cartuccia del filtro (vedere [Sezione 3.2 Indicazioni sul quadro di comando](#)). Prima di decidere l'eventuale sostituzione della cartuccia, verificare sempre che i flessibili per il braccio di estrazione e l'ingresso del ventilatore non siano danneggiati.



AVVERTENZA! Rischio di lesioni personali

Durante la sostituzione delle cartucce, utilizzare dispositivi di protezione personale adeguati.

Per sostituire la cartuccia, procedere come segue:

- 1 Scollegare il cavo di alimentazione.
- 2 Sbloccare i blocchi eccentrici e rimuovere il carter del filtro.
- 3 Riporre la cartuccia usata nel sacchetto di plastica fornito con la nuova cartuccia. Piegare il sacchetto di plastica sotto la cartuccia.
- 4 Pulire le superfici di contatto della cartuccia all'interno del FilterCart W3 con un panno. Riporre il panno e la cartuccia del filtro nel sacchetto di plastica e chiuderlo con il nastro in dotazione.
- 5 Smaltire le cartucce sostituite nel rispetto delle norme vigenti relativamente alle sostanze filtrate.
- 6 Controllare che il flessibile della caduta di pressione (dal quadro di comando) sia integro e montato correttamente.
- 7 Controllare che la nuova cartuccia non sia danneggiata. Controllare anche che la guarnizione montata sotto la cartuccia non sia danneggiata. Montare quindi la cartuccia sul FilterCart W3.
- 8 Reinstallare il carter del filtro. Accertarsi che i fermi eccentrici siano serrati adeguatamente nel carter del filtro.
 - A: Aumentare il bloccaggio.
 - B: Diminuire il bloccaggio.

6.2 Sostituzione del HEPA-filter (accessorio)

Vedere [Immagine 8](#). Se il FilterCart W3 è dotato di HEPA-filter, esso deve essere sostituito in occasione della sostituzione della cartuccia principale.



AVVERTENZA! Rischio di lesioni personali

Durante la sostituzione del HEPA-filter, utilizzare dispositivi di protezione personale adeguati.

Per sostituire il HEPA-filter, procedere come segue:

- 1 Scollegare il cavo di alimentazione.
- 2 Svitare il coperchio superiore.
- 3 Rimuovere il HEPA-filter usato e riporlo nel sacchetto di plastica fornito con il nuovo filtro HEPA. Chiudere il sacchetto di plastica con il nastro in dotazione.

- 4 Smaltire il HEPA-filter sostituito nel rispetto delle norme vigenti relativamente alle sostanze filtrate.
- 5 Verificare che il nuovo HEPA-filter, elemento A, non sia danneggiato.

**NOTA!**

La superficie del filtro non deve essere toccata.

- 6 Verificare che la freccia SU, elemento B, sia rivolta verso l'alto. Maneggiare il HEPA-filter con molta cautela e inserirlo in FilterCart W3. Assicurarsi che sia montato nella posizione corretta e che la guarnizione sia rivolta verso il basso. Assicurarsi anche che la guarnizione non sia danneggiata.
- 7 Reinstallare il coperchio superiore. Fissarlo saldamente.

7 Ricambi

**ATTENZIONE! Rischio di danni all'apparecchiatura**

Utilizzare esclusivamente ricambi originali Nederman.

IT

Contattare il rivenditore autorizzato più vicino o Nederman per consulenze in caso di interventi tecnici o di necessità di ricambi. Vedere anche www.nederman.com.

7.1 Ordinazione di ricambi

Nell'ordine dei ricambi indicare sempre:

- Numero di serie e numero di controllo (fare riferimento alla targhetta identificativa del prodotto).
- Il numero di riferimento del particolare di ricambio e il nome (vedi www.nederman.com/en/service/spare-part-search).
- Quantità desiderata di ricambi.

8 Accessori

- HEPA-filter H13, 7.5 m² (81 ft²) filtro finale ad alta efficienza, classe H13.
- Schermo antiscintilla, da montare nella cappetta standard. Riduce il rischio d'incendio.

9 Riciclaggio

Il prodotto è progettato in modo da riciclare i materiali che lo compongono. I differenti tipi di materiali devono essere gestiti in conformità alle normative locali vigenti. In caso di dubbi sullo smaltimento del prodotto al termine della sua vita contattare il rivenditore o Nederman.

Inhoudsopgave

Afbeeldingen	6
1 Voorwoord	62
2 Veiligheid	62
2.1 Indeling van belangrijke informatie	62
2.2 Algemene veiligheidsinstructies	62
3 Beschrijving	63
3.1 Overbelastingsbeveiliging	63
3.2 Symbolen bedieningspaneel	63
3.3 Afmetingen	63
3.4 Technische gegevens	64
4 Installatie	65
4.1 Startinstructies	65
4.2 De afzuigkap monteren	65
4.3 Aansluitschema	65
5 Gebruiksaanwijzing	65
6 Onderhoud	65
6.1 Vervanging van het filterpatroon	66
6.2 Vervanging van het HEPA-filter (accessoire)	66
7 Reserveonderdelen	67
7.1 Bestellen van reserveonderdelen	67
8 Accessoires	67
9 Recycling	67

1 Voorwoord

Bedankt voor het gebruik van een Nederman product!

De Nederman Group is een wereldwijd toonaangevende leverancier en ontwikkelaar van producten en oplossingen voor de milieutechnologiesector. Onze innovatieve producten filteren, reinigen en recyclen in de meest veeleisende omgevingen. Nederman's producten en oplossingen helpen u uw productiviteit te verbeteren, kosten te verlagen en ook de impact op het milieu van industriële processen te verminderen.

Lees alle productinformatie en het typeplaatje op het product aandachtig alvorens dit product te installeren, te gebruiken en er onderhoud aan te verrichten. Vervang de documentatie onmiddellijk indien deze verloren geraakt is. Nederman behoudt zich het recht voor om zijn producten, inclusief de documentatie, zonder voorafgaande kennisgeving te wijzigen en/of te verbeteren.

Dit product voldoet aan de eisen van de desbetreffende EG-richtlijnen. Om deze status te behouden mogen installatie, onderhoud en reparaties alleen worden uitgevoerd door gekwalificeerd personeel en dit uitsluitend met originele reserveonderdelen en accessoires van Nederman. Neem contact op met uw dichtstbijzijnde erkende Nederman-dealer voor technisch advies en reserveonderdelen. Indien het product bij de levering is beschadigd of er ontbreken onderdelen, dienen het transportbedrijf en uw lokale Nederman-vertegenwoordiger hiervan onmiddellijk op de hoogte te worden gebracht.

NL

2 Veiligheid

2.1 Indeling van belangrijke informatie

Dit document bevat belangrijke informatie in de vorm van waarschuwingen, aanmaningen om voorzichtig te zijn of opmerkingen:



WAARSCHUWING! Gevaar voor persoonlijk letsel

Waarschuwingen wijzen op een mogelijk gevaar voor de gezondheid en veiligheid van het personeel en hoe dat gevaar kan worden vermeden.



VOORZICHTIG! Gevaar voor schade aan het materieel

Waarschuwingen duiden op een mogelijk gevaar voor het product, maar niet voor het personeel, en hoe dat gevaar kan worden vermeden.



OPMERKINGEN!

Opmerkingen bevatten extra informatie die belangrijk zijn voor het personeel.

2.2 Algemene veiligheidsinstructies



WAARSCHUWING! Gevaar voor persoonlijk letsel

- In geval dat het FilterCart W3 brand of gaat roken, kan het gevaarlijke stoffen bevatten zoals polycarbonaat, PVC, polyethyleen, enz. Ook het materiaal dat wordt afgescheiden kan gevaarlijke rook/stof bevatten.
- Het product mag niet worden gebruikt in een omgeving waar er explosiegevaar bestaat of voor het afzuigen van stof of gassen in explosieve concentraties.
- Als het product voor stoftoepassingen is gebruikt, mag hij niet voor lasdampen of slijpstof worden gebruikt.
- Zorg dat geen vonken of andere objecten die brand kunnen veroorzaken in de arm worden gezogen. Bij lastoepassingen die veel vonken genereren moet een vonkbescherming (toebehoort) in de kap worden gemonteerd teneinde het brandrisico te beperken (zie [Afbeelding 10](#)).
- Het product mag niet worden gebruikt voor het afzuigen van giftige stoffen (met uitzondering van lasrook).
- Het product mag niet zonder filterpatroon en filterhuis worden gebruikt.
- Het product mag niet worden gebruikt in gesloten ruimtes zonder algemene ventilatie.
- Alleen goed opgeleid personeel mag dit product gebruiken.

3 Beschrijving

FilterCart W3 filtert vervuilende stoffen zoals rook en stof van klasse W3 uit. Bovendien filtert het lasrook die CMR-stoffen (Carcinogene, Mutagene en Reprotoxische stoffen) bevatten, zoals die vrijkomen bij het lassen van hooggelegeerd staal of lassen met lastoevoegmaterialen met meer dan 5% (Cr, Ni).

De FilterCart W3 is alleen bedoeld voor gebruik binnenshuis en werd ontwikkeld voor het afzuigen en filteren van lasdampen, klasse W3. De kan is uitgerust met een efficiënte lamp.



OPMERKINGEN!

Het FilterCart W3 heeft geen aansluitingen voor het kanaliseren van afvoerlucht.

3.1 Overbelastingsbeveiliging

Zie [Afbeelding 4](#). De FilterCart W3 is voorzien van een overstroom-beveiliging die de stroom onderbreekt wanneer de motor van de ventilator te zwaar belast wordt.

- C: Rood licht geeft aan dat de stroom is losgekoppeld en de overbelastingsbeveiliging is vrijgegeven.
- D: Toets voor het resetten van de overstroombeveiliging.

3.2 Symbolen bedieningspaneel

Zie [Afbeelding 6](#).

- A Als de stekker is aangesloten, branden de lichtdiodes continu en klinkt een kort alarmsignaal.
- B De lichtdiode knippert groen: de FilterCart W3 is op de netspanning aangesloten (stand-by).
- C Zodra de FilterCart W3 is ingeschakeld, brandt de lichtdiode continu groen. De ventilator is in werking.
- D De FilterCart W3 is klaar voor gebruik en na enige tijd brandt de lichtdiode continu groen. Nadat de FilterCart W3 een aantal keren is gebruikt, zal de luchtstroom door de afzuigarm verminderen en zal de drukval toenemen. De filterpatronen dienen dan te worden vervangen.
- E De lichtdiodes branden continu: de drukval is toegenomen. Het is een waarschuwing dat de filterpatronen binnenkort vervangen moeten worden.
- F De lichtdiodes branden continu en na ongeveer 30 seconden gaat er een onderbroken alarmsignaal af. Vervang het filterpatroon. Indien u de huidige taak wilt afmaken voordat u het filterpatroon vervangt, kunt u het alarmsignaal uitschakelen door 1 keer op de starttoets te drukken. Na ongeveer 10 minuten gaat het alarmsignaal opnieuw af. Door 2 keer op de starttoets te drukken, kunt u de ventilator uitschakelen. De ventilator kan ook worden uitgeschakeld met behulp van de schakelaar op de afzuigkap.
- G De lichtdiode knippert rood = alarmherinnering. De FilterCart W3 is uitgeschakeld nadat een alarm is afgegaan (zoals hierboven beschreven), bijv. tijdens het wisselen van werkploegen. Het filterpatroon dient te worden vervangen.
- H De lichtdiode brandt continu rood en er klinkt een onderbroken alarmsignaal. De overstroombeveiliging is ingeschakeld. Ga na wat de exacte oorzaak is en reset vervolgens de overstroombeveiliging door op de "Motor Protector Reset"-toets te drukken.

3.3 Afmetingen

Zie [Afbeelding 1](#).

A: Horizontale zwenkarm.

B: Afhankelijk van arm.

3.4 Technische gegevens

FilterCart W3	
Capaciteit	675-1050 m ³ /h (397-620 cfm)
Filtrefficiëntie, hoofdfilter	> 99 % filtrefficiëntie bij gemiddeld gewicht. Minimaal rendement W3 (99%), EN ISO 15012-1, MERV 14 (ASHRAE 52.2).*
Filtratie-efciëntie, HEPA-filter (accessoire)	> 99.95 % H13*
Filteroppervlakte, hoofdfilter	30 m ² (323 ft ²)
Filteroppervlakte, HEPA-filter (accessoire)	7.5 m ² (81 ft ²)
Motorvermogen	0.75 kW (1 hp)
Spanning**	110/120/230/240 V
Fase	1 ~
Frequentie**	50/60 Hz
Transformator	24 V secundair
Verlichting	LED 24 V, 5W/6VA
Alarmsignaal	akoestisch, 2.9 kHz
Afzuigarm, bereik	max. 2 m (6 ft 7 in) of 3 m (9 ft 10 in)
Afzuigarm, draaibare arm	ongeveer 240°
Gewicht	<ul style="list-style-type: none"> • 71 kg (156 lb) met arm van 2 m • 73 kg (161 lb) met arm van 3 m
Temperatuur, max. omgevingstemp.	40 °C (104 °F)
Temperatuur, max. luchtstroomtemp.	60 °C (140 °F)
Geluidsniveau, gemeten volgens ISO 11204.	73 dB(A)
Recycling van materiaal	90% op gewicht, zonder filterpatroon
Beschermingsklasse	IP42

* Zie de filterpatrooninformatie voor meer specifieke gegevens.

** Afhankelijk van het model.

4 Installatie

4.1 Startinstructies

Zie [Afbeelding 4](#).

- 1 Controleer of de FilterCart W3 niet is beschadigd tijdens het transport.
- 2 Controleer of de netspanning hetzelfde is als op het bord.
- 3 Sluit de verbindingkabel met stekker aan op het stopcontact. De lichtdiodes bij B branden continu en er klinkt een kort alarmsignaal. De lichtdiode bij C knippert groen (stand-by).
- 4 Start de FilterCart W3 met de stroomonderbreker A of met de schakelaar op de kap van de afzuigarm.
- 5 De lichtdiode bij C brandt continu groen: de ventilator is in werking.

4.2 De afzuigkap monteren

De afzuigarm is al gemonteerd. De kap dient overeenkomstig [Afbeelding 2](#) gemonteerd te worden. Pas de verbindingen aan, zodat de kap eenvoudig geplaatst kan worden.



OPMERKINGEN!

X: Kabel met kringloop.

NL

4.3 Aansluitschema

Zie [Afbeelding 3](#).

- M1: Ventilatormotor, 0,75 kW (1 pk).
- A1: Printkaart.
- T1: Transformator, 24 V secundair.
- K1: Magneetschakelaar, ventilator.
- F1: Overstroombeveiliging.
- E1: Verlichting, 20 W, 24 V.
- H1: Alarmsignaal, 2,9 kHz.
- H2: Alarmsignaal, 2,9 kHz.

* Spanning: afhankelijk van het model.

5 Gebruiksaanwijzing

Zie afbeeldingen 1 en 2.

- De kap van de afzuigarm moet zo dicht mogelijk bij de vervuilsbron worden geplaatst, zie item A.



OPMERKINGEN!

Voor specifieke plaatsingsgegevens raadpleegt u de afzonderlijke handleiding van de kap.

- De FilterCart W3 moet worden verplaatst vanaf de achterkant zoals in item B en met ontgrendelde wielen.
- De afzuigarm moet worden gepositioneerd met vergrendelde wielen zoals in item C.

6 Onderhoud



WAARSCHUWING! Gevaar voor persoonlijk letsel

- Koppel de stroomkabel los voordat u onderhoud gaat uitvoeren.
- Gebruik de noodzakelijke persoonlijke veiligheidsuitrusting.
- FilterCart W3 moet worden gereinigd voor elke demontage.
- FilterCart W3 mag alleen worden gemonteerd in een goed geventileerde ruimte.
- Gebruik de juiste apparatuur, zoals een stofzuiger, om het FilterCart W3 te reinigen.
- Het gebied waar onderhoud wordt uitgevoerd, moet goed worden schoongemaakt nadat het werk is voltooid.

Zie [Afbeelding 9](#). Onderhoud wordt minstens één keer per jaar aanbevolen. Ga als volgt te werk:

- Vervang het filterpatroon (en het HEPA-filter (optioneel)) indien nodig. Zie [Paragraaf 6.1 Vervanging van het filterpatroon](#).

- Controleer of de rookafzuigslang niet beschadigd is. Vervang de slang indien nodig.
- Controleer of de slang naar de ventilatorinlaat niet beschadigd is. Vervang de slang indien nodig.
- Controleer of er geen voorwerpen op het rooster van de ventilatorinlaat zitten.
- Controleer of de drukvalslang (vanaf het bedieningspaneel) niet beschadigd is en of deze correct is aangesloten.
- Stel indien nodig de verbindingstangen van de dampafzuigslang bij.
- Haal indien nodig de armprofielbouten aan. Zie de symbolen * in [Afbeelding 9](#).
- Controleer of de verbindingkabel voor het lichtnet en de kabel voor de ventilatiemotor niet versleten of beschadigd zijn.
- Controleer of de excentrische vergrendeling de filterbehuizing goed omsluit. Pas de excentrische vergrendeling aan indien nodig. Zie [Paragraaf 6.1 Vervanging van het filterpatroon](#).

6.1 Vervanging van het filterpatroon

Zie [Afbeelding 7](#). Het filterpatroon is een wegwerpproduct dat na gebruik moet worden weggegooid. De levensduur van het filterpatroon hangt sterk af van de manier waarop de unit wordt gebruikt en welk soort vervuilende stoffen worden afgezogen.

Controleer de lichtdiodes op het drukvalsymbool van het bedieningspaneel regelmatig om na te gaan of het filterpatroon vervangen dient te worden, zie [Paragraaf 3.2 Symbolen bedieningspaneel](#). Controleer altijd of de slangen voor de afzuigarm en de ventilatorinlaat niet beschadigd zijn, voordat u besluit om het filter te vervangen.



WAARSCHUWING! Gevaar voor persoonlijk letsel

Gebruik de noodzakelijke persoonlijke veiligheidsuitrusting bij het vervangen van de filterpatronen.

Vervanging van het filterpatroon:

- 1 Koppel de stroomkabel los.
- 2 Ontgrendel de excentrische vergrendelingen en verwijder het filterhuis.
- 3 Gebruik de plastic zak die bij het nieuwe filterpatroon wordt geleverd en trek het over het gebruikte filter. Vouw de plastic zak om het patroon.
- 4 Gebruik een stofdoek om de contactvlakken van het filter in de FilterCart W3 af te nemen. Doe de stofdoek samen met het filterpatroon in de plastic zak en sluit de zak af met de meegeleverde riem.
- 5 Hanteer het verbruikte filter volgens de geldende milieuvoorschriften en met het oog op de aard van het traat.
- 6 Controleer of de drukvalslang (vanaf het bedieningspaneel) niet beschadigd is en of deze correct is aangesloten.
- 7 Controleer of het nieuwe filterpatroon niet beschadigd is. Controleer ook of het zegel aan de onderkant van de patroon niet is beschadigd. Daarna kan het patroon op de FilterCart W3 geplaatst worden.
- 8 Plaats het filterhuis terug. Controleer of de excentrische vergrendelingen het filterhuis goed vastzetten.
 - A: De vergrendelkracht vergroten.
 - B: De vergrendelkracht verkleinen.

6.2 Vervanging van het HEPA-filter (accessoire)

Zie [Afbeelding 8](#). Wanneer de FilterCart W3 geleverd wordt met een HEPA-filter, dient het filter op hetzelfde moment vervangen te worden als het hoofdpatroon.



WAARSCHUWING! Gevaar voor persoonlijk letsel

Gebruik de noodzakelijke persoonlijke veiligheidsuitrusting bij het vervangen van het HEPA-filter.

Verwissel het HEPA-filter op de volgende manier:

- 1 Koppel de stroomkabel los.
- 2 Schroef het bovendeksel los.
- 3 Verwijder het gebruikte HEPA-filter en stop het in de plastic zak die bij het nieuwe HEPAfilter wordt geleverd. Sluit de plastic zak af met de daarvoor bestemde riem.
- 4 Behandel het gebruikte HEPA-filter volgens de geldende voorschriften voor de afgezogen stoffen.
- 5 Controleer of het nieuwe HEPA-filter, item A, niet beschadigd is.

**OPMERKINGEN!**

Het filteroppervlak mag niet worden aangeraakt.

- 6 Controleer of de pijl-omhoog, item B, naar boven wijst. Behandel het HEPA-filter zeer voorzichtig en plaats het in de FilterCart W3. Zorg ervoor dat het in de juiste positie is gemonteerd en dat de afdichting naar beneden is. Controleer of de afdichting niet beschadigd is.
- 7 Plaats het bovendeksel terug. Zet het goed vast.

7 Reserveonderdelen

**VOORZICHTIG! Gevaar voor schade aan het materieel**

Gebruik uitsluitend originele reserveonderdelen en accessoires van Nederman.

Neem contact op met uw dichtstbijzijnde erkende dealer of met Nederman voor technisch advies en reserveonderdelen. Zie ook www.nederman.com.

7.1 Bestellen van reserveonderdelen

Wanneer u reserveonderdelen bestelt dient u steeds het volgende te vermelden:

- Onderdeel- en controlenummer (raadpleeg het productidentificatieplaatje).
- Detailnummer en naam van het reserveonderdeel (zie www.nederman.com/en/service/spare-part-search).
- Het aantal benodigde onderdelen.

8 Accessoires

- HEPA-filter H13, 7.5 m² (81 ft²) hoogefficiënt eindfilter, klasse H13.
- Bescherming tegen vonken, voor montage in de afzuigkap. Om het risico op brand te verminderen.

9 Recycling

Het product werd ontworpen met recycleerbare materialen. De verschillende materiaalsoorten moeten overeenkomstig de betreffende plaatselijke wetgeving worden verwerkt. Neem contact op met de distributeur of met Nederman indien u twijfels hebt over het tot schroot verwerken van het product aan het einde van zijn levensduur.

Spis treści

	Obrazy	6
1	Wprowadzenie	69
2	Bezpieczeństwo	69
2.1	Klasyfikacja ważnych informacji	69
2.2	Ogólne instrukcje bezpieczeństwa	69
3	Opis	70
3.1	Zabezpieczenie przed przeciążeniem	70
3.2	Wskazania tablicy rozdzielczej	70
3.3	Wymiary	70
3.4	Dane techniczne	71
4	Instalacja	72
4.1	Pierwsza operacja	72
4.2	Montaż okapu wyciągu oparów	72
4.3	Schemat połączeń	72
5	Wskazówki dot. sposobu użycia	72
6	Konserwacja	72
6.1	Wymiana wkładu filtracyjnego	73
6.2	Wymiana HEPA-filtr (akcesoria)	73
7	Części zamienne	74
7.1	Zamawianie części zamiennych	74
8	Akcesoria	74
9	Recykling	74

1 Wprowadzenie

Dziękujemy za korzystanie z Nederman produktu!

Nederman Grupa jest wiodącym na świecie dostawcą i producentem produktów i rozwiązań dla sektora technologii środowiskowych. Nasze innowacyjne produkty mogą filtrować, czyścić i poddać recyklingowi w najbardziej wymagających środowiskach. Nedermanprodukty i rozwiązania pomogą Ci zwiększyć produktywność, obniżyć koszty, a także zmniejszyć wpływ procesów przemysłowych na środowisko.

Przed przystąpieniem do montażu, obsługi i serwisowania produktu uważnie zapoznaj się z wszelką dokumentacją produktu oraz z treścią jego tabliczki znamionowej. W razie zagubienia dokumentacji należy natychmiast pozyskać jej nowy egzemplarz. Firma Nederman zastrzega sobie prawo do modyfikowania i udoskonalania swoich produktów – w tym dokumentacji – bez uprzedniego powiadomienia.

Niniejsze urządzenie zostało zaprojektowane w sposób zapewniający zgodność z odpowiednimi dyrektywami WE. Utrzymanie tego stanu gwarantowane jest pod warunkiem wykonywania wszystkich prac związanych z instalacją, konserwacją i naprawami przez wykwalifikowanych pracowników oraz z wykorzystaniem wyłącznie oryginalnych części zamiennych. W razie konieczności skorzystania z pomocy serwisu technicznego i zamówienia części zamiennych skontaktuj się z firmą Nederman lub jej najbliższym autoryzowanym dystrybutorem. W przypadku uszkodzenia lub brakujących części należy natychmiast poinformować o tym lokalnego przedstawiciela firmy Nederman.

2 Bezpieczeństwo

2.1 Klasyfikacja ważnych informacji

Niniejszy dokument zawiera ważne informacje przedstawione w postaci ostrzeżeń, ostrzeżeń i uwag.



OSTRZEŻENIE! Ryzyko obrażeń ciała

Ostrzeżenia wskazują na potencjalne zagrożenia dla zdrowia i bezpieczeństwa personelu oraz informują o sposobach unikania takich zagrożeń.



PRZESTROGA! Ryzyko uszkodzenia sprzętu

„Przestrogi” wskazują potencjalne zagrożenia dla produktu, lecz nie dla personelu, oraz precyzują, jak ich uniknąć.



UWAGA!

W uwagach zamieszczono inne ważne dla użytkowników informacje.

2.2 Ogólne instrukcje bezpieczeństwa



OSTRZEŻENIE! Ryzyko obrażeń ciała

- W przypadku pożaru, dym z FilterCart W3 może zawierać niebezpieczne substancje ze spalającego się poliwęglanu, PCW, polietylenu, itp. Ponadto, w zależności od oddzielnego materiału, mogą wystąpić niebezpieczne opary z oddzielonych pyłów.
- Produkt nie może być używany w środowisku zagrożonym wybuchem, lub w przypadku występowania pyłów lub gazów w stężeniach wybuchowych.
- Jeśli produkt był wykorzystywany do usuwania zapylenia, nie może być wykorzystywany do dymów spawalniczych lub pyłu pochodzącego ze szlifowania.
- Należy upewnić się, że do wnętrza ramienia nie są zasysane iskry lub jakiegokolwiek materiały mogące spowodować pożar. W przypadku zastosowań wiążących się z wytwarzaniem dużej ilości iskier, w okapie należy zamontować zabezpieczenie przeciwiskrowe (wyposażenie dodatkowe), aby zmniejszyć ryzyko zapalenia. Patrz [Obraz 10](#).
- Produkt nie może być używany do ekstrakcji substancji toksycznych (oprócz dymów spawalniczych).
- Produkt nie może być używany bez wkładu filtracyjnego i obudowy.
- Produkt nie może być użytkowany w zamkniętych pomieszczeniach bez zapewnienia ogólnej wentylacji.
- Tylko odpowiednio przeszkoleni pracownicy, mogą korzystać z tego produktu.

3 Opis

FilterCart W3 odfiltruje zanieczyszczenia takie jak dymy i pył, klasa W3. Ponadto filtruje dymy spawalnicze zawierające substancje CMR (substancje rakotwórcze, mutagenne oraz działające szkodliwie na rozrodczość), np. powstałe podczas spawania stali wysokostopowych lub materiałów spawalniczych o zawartości powyżej 5 % (Cr, Ni).

FilterCart W3 przeznaczony jest wyłącznie do użytku wewnętrznego i służy do odciągania i filtracji oparów spawalniczych, klasy W3. Okap wyposażony jest w wydajne oświetlenie punktowe.



UWAGA!

FilterCart W3 nie posiada żadnych przyłączy do odprowadzania powietrza wywiewanego.

3.1 Zabezpieczenie przed przeciążeniem

Patrz [Obraz 4](#). FilterCart W3 jest wyposażony w zabezpieczenie przed przeciążeniem, co oznacza, że zasilanie zostanie automatycznie odłączone, jeśli silnik wentylatora zostanie przeciążony.

- C: Czerwone światło oznacza odłączenie zasilania i zwolnienie zabezpieczenia przed przeciążeniem.
- D: Przycisk resetowania zabezpieczenia przeciążeniowego.

3.2 Wskazania tablicy rozdzielczej

Patrz [Obraz 6](#).

- A Po podłączeniu wtyczki sieciowej diody sygnalizacyjne emitują stałe światło i przez krótki czas rozlega się sygnał alarmowy.
- B Dioda sygnalizacyjna pokazuje migające, zielone światło: FilterCart W3 zostało podłączone do sieci (stand by).
- C Po uruchomieniu FilterCart W3 dioda sygnalizacyjna emituje stałe, zielone światło. Wentylator działa.
- D Urządzenie FilterCart W3 jest gotowe do pracy i po chwili dioda sygnalizacyjna emituje stałe, zielone światło. Po użytkowaniu przez pewien czas zmniejszy się przepływ powietrza przez ramię odciągowe i zwiększy się spadek ciśnienia, co spowoduje konieczność wymiany wkładu filtracyjnego.
- E Diody sygnalizacyjne emitują światło stałe: zwiększył się spadek ciśnienia. Ostrzeżenie wstępne o konieczności wymiany wkładu filtracyjnego.
- F Diody sygnalizacyjne emitują stałe światło, a po około 30s włącza się przerywany sygnał alarmowy. Należy wymienić wkład filtracyjny. Jeśli chcemy zakończyć trwającą pracę przed wymianą wkładu, sygnał alarmowy można zatrzymać naciskając jednorazowo przycisk start. Sygnał alarmowy uaktywnia się po około 10 minutach. Dwukrotne naciśnięcie przycisku start powoduje zatrzymanie wentylatora. Alternatywnie wentylator można zatrzymać za pomocą przełącznika na okapie do odciągu oparów.
- G Dioda sygnalizacyjna emituje migające, czerwone światło = pamięć alarmu. FilterCart W3 został zatrzymany po uruchomieniu alarmu (zgodnie z powyższym), np. podczas zmiany roboczej. Konieczna jest wymiana wkładu filtracyjnego.
- H Dioda sygnalizacyjna emituje stałe, czerwone światło i uruchamia się przerywany sygnał alarmowy. Zabezpieczenie przed przeciążeniem zostało zwolnione. Należy zbadać przyczynę i zresetować zabezpieczenie, naciskając przycisk „Reset zabezpieczenia silnika” (Motor Protector Reset).

3.3 Wymiary

Patrz [Obraz 1](#).

- A: Poziome ramię obrotowe.
- B: W zależności od ramienia.

3.4 Dane techniczne

FilterCart W3	
Wydajność	675-1050 m ³ /h (397-620 cfm)
Skuteczność filtracji, filtr główny	> 99 % średnia wagowa skuteczność filtracyjna. Minimalna sprawność W3 (99%), EN ISO 15012-1, MERV 14 (ASHRAE 52.2) *.
Skuteczność filtrowania, HEPA-filtr (wyposażenie dodatkowe)	> 99.95 % H13 *
Powierzchnia filtra, filtr główny	30 m ² (323 ft ²)
Powierzchnia filtra, HEPA-filtr (wyposażenie dodatkowe)	7.5 m ² (81 ft ²)
Moc silnika	0.75 kW (1 hp)
Napięcie **	110/120/230/240 V
Faza	1 ~
Częstotliwość **	50/60 Hz
Transformator	24 V wtórny
Oświetlenie punktowe	LED 24 V, 5W/6VA
Sygnał alarmu	akustyczny, 2.9 kHz
Ramię odciągowe, promień działania	maks. 2 m (6 ft 7 in) lub 3 m (9 ft 10 in)
Ramię odciągowe, obrotowe	ok. 240°
Masa	<ul style="list-style-type: none"> • 71 kg (156 lb) z ramieniem o długości 2 m • 73 kg (161 lb) z ramieniem o długości 3 m
Temperatura, maks. temperatura otoczenia	40 °C (104 °F)
Temperatura, maks. temperatura przepływu powietrza	60 °C (140 °F)
Poziom hałasu, pomiar zgodnie z ISO 11204.	73 dB(A)
Recykling materiałów	90% masy, bez wkładu filtra
Klasa ochrony	IP42

* Więcej szczegółowych danych można znaleźć w informacjach o wkładach filtracyjnych.

** W zależności od modelu.

4 Instalacja

4.1 Pierwsza operacja

Patrz [Obraz 4](#).

- 1 Należy upewnić się, czy FilterCart W3 nie został uszkodzony podczas transportu.
- 2 Należy sprawdzić, czy napięcie sieciowe jest takie samo jak na tabliczce znamionowej.
- 3 Należy podłączyć kabel przyłączeniowy z wtyczką do sieci. Diody sygnalizacyjne obok „B” emitują stałe światło i przez krótki czas rozlega się sygnał alarmowy. Dioda sygnalizacyjna obok „C” emituje migające, zielone światło (stand by).
- 4 Uruchoń FilterCart W3 za pomocą przełącznika „A” lub alternatywnie za pomocą przełącznika na osłonie ramienia odciągowego.
- 5 Dioda sygnalizacyjna obok „C” emituje stałe, zielone światło: wentylator działa.

4.2 Montaż okapu wyciągu oparów

Ramię do wyciągu oparów jest już zamontowane. Okap musi być zamontowany zgodnie z [Obraz 2](#). Należy wyregulować łączniki tak, aby łatwo można było ustawić okap.



UWAGA!

X: Kabel z pętlą.

PL

4.3 Schemat połączeń

Patrz [Obraz 3](#).

- M1: Silnik wentylatora, 0,75 kW (1 KM).
- A1: Karta obwodu.
- T1: Transformator, 24 V wtórny.
- K1: Przekaznik, wentylator.
- F1: Przekaznik zabezpieczający przed przeciążeniem.
- E1: Oświetlenie punktowe, 20 W, 24 V.
- H1: Sygnał alarmu, 2,9 kHz.
- H2: Sygnał alarmu, 2,9 kHz.

* Napięcie: w zależności od modelu.

5 Wskazówki dot. sposobu użycia

Patrz rysunki 1 i 2.

- Ssawkę ramienia odprowadzającego należy umieścić możliwie blisko źródła zanieczyszczeń, patrz pozycja A.



UWAGA!

Szczegółowe informacje na temat rozmieszczenia znajdują się w oddzielnej instrukcji obsługi okapu.

- FilterCart W3 należy przemieszczać od tyłu zgodnie z punktem B i z odblokowanymi kołami.
- Pozycję ramienia odprowadzającego należy ustawiać przy zablokowanych kołach, zgodnie z punktem C.

6 Konserwacja



OSTRZEŻENIE! Ryzyko obrażeń ciała

- Należy odłączyć główny przewód zasilający przed rozpoczęciem jakichkolwiek prac konserwacyjnych.
- Używaj niezbędnego osobistego wyposażenia ochronnego.
- FilterCart W3 wymaga oczyszczenia przed każdym demontażem.
- Demontaż FilterCart W3 może odbywać się tylko w dobrze wentylowanym pomieszczeniu.
- Do czyszczenia należy używać odpowiedniego sprzętu, np. odkurzacza FilterCart W3.
- Obszar, na którym przeprowadzana jest konserwacja, musi być odpowiednio oczyszczony po zakończeniu prac.

Patrz [Obraz 9](#). Konserwacja jest zalecana co najmniej raz w roku. Wykonać następujące czynności:

- Należy wymienić wkład filtracyjny (oraz opcjonalnie HEPA-filtr) w razie potrzeby, patrz [Punkt 6.1 Wymiana wkładu filtracyjnego](#)
- Sprawdź, czy wąż do usuwania oparów nie jest uszkodzony. W razie potrzeby wymień wąż.
- Sprawdź, czy wąż do wlotu wentylatora nie jest uszkodzony. W razie potrzeby wymień wąż.
- Sprawdź, czy żadne obiekty nie zostały wyłapane przez siatkę zabezpieczającą wlot wentylatora.
- Należy sprawdzić, czy wąż spadku ciśnienia (z tablicy rozdzielczej) nie jest uszkodzony i czy jest prawidłowo zamontowany.
- W razie potrzeby wyreguluj połączenia systemu odprowadzania oparów.
- W razie potrzeby dokręć śruby mocujące profil ramienia. Zwróć uwagę na symbole* w [Obraz 9](#).
- Sprawdź, czy główny przewód zasilający i przewód silnika wentylatora nie są zużyte lub uszkodzone.
- Sprawdź, czy mimośrodowe blokady prawidłowo dociskają obudowę filtra. W razie potrzeby wyreguluj blokady mimośrodowe. Patrz [Punkt 6.1 Wymiana wkładu filtracyjnego](#).

6.1 Wymiana wkładu filtracyjnego

Patrz [Obraz 7](#). Wkład filtracyjny jest elementem jednorazowego użytku i należy go wyrzucić po użyciu. Żywotność wkładu filtra w znacznym stopniu zależy od sposobu użytkowania FilterCart W3 oraz ilości i rodzaju usuwanych zanieczyszczeń.

Należy regularnie sprawdzać diody sygnalizacyjne na symbolu spadku ciśnienia na tablicy rozdzielczej, aby wiedzieć, kiedy należy wymienić wkład filtracyjny, patrz [Punkt 3.2 Wskazania tablicy rozdzielczej](#). Przed podjęciem decyzji o wymianie wkładu należy zawsze sprawdzić, czy węże ramienia odprowadzającego oraz wlot wentylatora nie są uszkodzone.



OSTRZEŻENIE! Ryzyko obrażeń ciała

Podczas wymiany wkładów filtra należy stosować odpowiednie środki ochrony osobistej.

Wymień wkład filtra w następujący sposób:

- 1 Odłącz główny przewód zasilający.
- 2 Zwolnij blokady mimośrodowe i zdejmij obudowę filtra.
- 3 Użyj plastikowej torby, która jest dołączona do nowego wkładu filtracyjnego i przeciągnij ją na zużyty wkład. Złóż plastikową torbę pod wkładem.
- 4 Za pomocą miotelki wytrzyj powierzchnie styku wkładu filtra w FilterCart W3. Włóż miotelkę do plastikowej torebki z wkładem filtra i zamknij torebkę za pomocą dostarczonej opaski.
- 5 Usuń zużyty wkład filtracyjny zgodnie z odpowiednimi przepisami dotyczącymi zebranych substancji.
- 6 Należy sprawdzić, czy wąż spadku ciśnienia (z tablicy rozdzielczej) nie jest uszkodzony i czy jest prawidłowo zamontowany.
- 7 Sprawdź, czy nowy wkład filtra nie jest uszkodzony. Sprawdź również, czy uszczelka zamontowana na spodzie wkładu nie jest uszkodzona. Następnie umieść wkład na FilterCart W3.
- 8 Załóż obudowę filtra. Upewnij się, że mimośrodowe blokady prawidłowo dociskają obudowę filtra.
 - A: Zwiększanie mocy blokady.
 - B: Zmniejszanie mocy blokady.

6.2 Wymiana HEPA-filtr (akcesoria)

Patrz [Obraz 8](#). Jeżeli FilterCart W3 zostało dostarczone z HEPA-filtr, należy wymienić go podczas wymiany głównego wkładu filtra.



OSTRZEŻENIE! Ryzyko obrażeń ciała

Należy stosować odpowiednie środki ochrony osobistej podczas wymiany HEPA-filtr.

Wymień wkład filtra HEPA-filtr w następujący sposób:

- 1 Odłącz główny przewód zasilający.
- 2 Odkręć górną pokrywę.
- 3 Wyjmij zużyty HEPA-filtr i włóż go do plastikowej torby, która jest dołączona do nowego filtra HEPA. Zamknij plastikową torbę za pomocą dostarczonej opaski.
- 4 Usuń zużyty HEPA-filtr zgodnie z odpowiednimi przepisami dotyczącymi zebranych substancji.
- 5 Należy sprawdzić, czy nowy HEPA-filtr, pozycja A, nie jest uszkodzony.

**UWAGA!**

Nie wolno dotykać powierzchni filtra.

- 6 Należy sprawdzić, czy strzałka w górę, pozycja B, jest skierowana do góry. Z HEPA-filtr należy obchodzić się bardzo ostrożnie i dopasować go do FilterCart W3. Upewnij się, że filtr jest zamocowany w odpowiedniej pozycji, a jego uszczelnienie jest skierowane w dół. Sprawdź, czy uszczelnienie nie jest uszkodzone.
- 7 Załóż górną pokrywę. Zamocuj ją bezpiecznie.

7 Części zamienne

**PRZESTROGA! Ryzyko uszkodzenia sprzętu**

Należy używać wyłącznie oryginalnych części zamiennych firmy Nederman.

W razie konieczności uzyskania wskazówek dotyczących serwisu technicznego lub pomocy w sprawie części zamiennych, skontaktuj się z firmą Nederman lub jej najbliższym autoryzowanym dystrybutorem. Patrz również: www.nederman.com.

7.1 Zamawianie części zamiennych

W przypadku zamawiania części zawsze należy podawać następujące informacje:

- Numer części i numer kontrolny (patrz: tabliczka znamionowa produktu).
- Numer szczegółowy i nazwę części zamiennej (patrz: www.nederman.com/en/service/spare-part-search).
- Wymagana ilość części.

8 Akcesoria

- HEPA-filtr H13, 7.5 m² (81 ft²) wysokowydajny filtr końcowy, klasa H13.
- Zabezpieczenie przeciwiskrowe, do montażu w okapie. W celu zmniejszenia ryzyka pożaru.

9 Recykling

Produkt został zaprojektowany w taki sposób, aby możliwe było powtórne przetworzenie materiałów użytych do produkcji jego elementów. Z materiałami różnego rodzaju należy postępować zgodnie z właściwymi przepisami miejscowymi. W razie wątpliwości podczas utylizowania produktu po zakończeniu okresu jego eksploatacji skontaktuj się z firmą Nederman lub jej dystrybutorem.

Innehållsförteckning

Bilder	6
1 Förord	76
2 Säkerhet	76
2.1 Klassificering av viktig information	76
2.2 Allmänna säkerhetsinstruktioner	76
3 Beskrivning	77
3.1 Överströmsskydd	77
3.2 Indikeringar på kontrollpanelen	77
3.3 Mått	77
3.4 Tekniska data	78
4 Installation	79
4.1 Startinstruktion	79
4.2 Montering av utsugsarmens huv	79
4.3 Kopplingsschema	79
5 Användningsinstruktioner	79
6 Underhåll	79
6.1 Byta filterpatronen	80
6.2 Byta HEPA-filter (tillval)	80
7 Reservdelar	81
7.1 Beställa reservdelar	81
8 Tillbehör	81
9 Återvinning	81

1 Förord

Tack för att du använder en Nederman-produkt!

Nederman Group är en världsledande leverantör och utvecklare av produkter och lösningar för miljötekniksektorn. Våra innovativa produkter filtrerar, renar och återvinner i de mest krävande miljöer. Nederman:s produkter och lösningar hjälper dig att öka din produktivitet, sänka kostnader och minska miljöpåverkan från industriella processer.

Läs all produktokumentation och produktens märkskylt noga före installation, drift och service av produkten. Ersätt dokumentationen omedelbart om den skulle försvinna. Nederman förbehåller sig rätten att ändra och förbättra sina produkter, inklusive dokumentation, utan föregående avisering.

Den här produkten uppfyller kraven i tillämpliga EU-direktiv. För att produktens ska fortsätta att uppfylla kraven måste alla installationer, underhållsarbeten och reparationer utföras av behörig personal som endast använder originaldelar och tillbehör från Nederman. Kontakta närmaste auktoriserade återförsäljare eller Nederman för rådgivning vid teknisk service samt för att erhålla reservdelar. Kontakta omedelbart speditören och den lokala Nederman-representanten om delar saknas eller är skadade när produkten levereras.

2 Säkerhet

2.1 Klassificering av viktig information

Det här dokumentet innehåller viktig information som presenteras antingen som en varning, ett försiktighetsmeddelande eller en kommentar.

SV



WARNING! Risk för personskada

Varningar anger en möjlig fara för personalens hälsa och säkerhet, samt hur faran kan undvikas.



VARSAMHET! Risk för skada på utrustningen

"Försiktigt" betecknar en potentiell risk för produkten, men innebär inte fara för personal, och anger hur risken kan förhindras.



NOTERA!

Anmärkningar innehåller annan information som är viktig för medarbetarna.

2.2 Allmänna säkerhetsinstruktioner



WARNING! Risk för personskada

- I händelse av brand kan röken från FilterCart W3 innehålla farliga ämnen såsom polykarbonat, PVC, polyetylen, etc. Även uppsamlat material kan avge farlig rök beroende på sammansättning.
- Produkten får inte användas i miljöer där explosionsrisk föreligger eller för stoft eller gaser i explosiva koncentrationer.
- Om produkten har använts för uppsugning av stoft får den inte användas för svetsrök eller slipdamm.
- Se till att inga gnistor eller andra föremål som kan orsaka brand sugas in i armen. För svetsning som ger upphov till en stor mängd gnistor måste ett gnistskydd (tillbehör) monteras i huven för att minska brandrisken (se [Bild 10](#)).
- Produkten får inte användas för utsugning av giftiga ämnen (förutom svetsrök).
- Produkten får inte användas utan filterpatron och hölje.
- Produkten får inte användas i slutna rum utan allmän ventilation.
- Endast utbildad personal ska använda produkten.

3 Beskrivning

FilterCart W3 filtrerar föroreningar som ångor och damm i klass W3. Filtret filtrerar även svetsrök som innehåller CRM-ämnen (cancerframkallande mutagena reproduktionstoxiska) som t.ex. bildas vid svetsning av höglegerat stål eller förbrukningsmaterial för svetsning som innehåller mer än 5% (Cr, Ni).

FilterCart W3 skall endast användas för inomhusbruk och är utformat för utsugning och filtrering av svetsrök i klass W3. Huvu är utrustad med en effektiv strålkastare.



NOTERA!

FilterCart W3 har inga anslutningar för kanalisering av frånluft.

3.1 Överströmsskydd

Se [Bild 4](#). FilterCart W3 är försedd med ett överbelastningsskydd, vilket innebär att strömtillförseln bryts om fläktmotorn överbelastas.

- C: Rött ljus indikerar frånkopplad ström och utlöst överbelastningsskydd.
- D: Knapp för återställning av överbelastningsskyddet.

3.2 Indikeringar på kontrollpanelen

Se [Bild 6](#).

- A När nätkontakten är ansluten lyser lysdioderna med fast sken och en ljudsignal ljuder kort.
- B Lysdioden blinkar grönt. FilterCart W3 har anslutits till elnätet (standby).
- C När FilterCart W3 har startats lyser lysdioden med fast grönt sken. Fläkten är igång.
- D FilterCart W3 är klar att använda och efter ett tag börjar lysdioden att lysa med fast grönt sken. Efter en tids användning kommer luftflödet genom utsugsarmen att minska och tryckfallet ökar. Detta indikerar att filterpatronen behöver bytas ut.
- E Lysdioderna lyser med fast sken: Tryckfallet har ökat. Detta är en förvarning om att filterpatronen behöver bytas ut.
- F Lysdioderna lyser med fast sken och efter cirka 30 sekunder startar en oregelbunden larmsignal. Byt ut filterpatronen. Om du vill avsluta det pågående arbetet innan du byter filterpatronen, kan du stänga av larmsignalen genom att trycka en gång på startknappen. Larmsignalen aktiveras efter cirka 10 minuter. Två tryck på startknappen stänger av fläkten. Fläkten kan även stängas av med strömbrytaren på utsugsarmens huv.
- G Lysdioden blinkar med rött ljus = larmminne. FilterCart W3 har stängts av efter larmstart (enligt ovan), till exempel när ett nytt arbetsskift går på. Filterpatronen måste bytas ut.
- H Lysdioden lyser med fast rött sken och en oregelbunden signal startar. Överbelastningsskyddet har löst ut. Undersök orsaken och återställ överbelastningsskyddet genom att trycka på knappen "Återställning motor-skydd".

3.3 Mått

Se [Bild 1](#).

A: Horisontell svängbar arm.

B: Beroende på arm.

3.4 Tekniska data

FilterCart W3	
Kapacitet	675-1050 m ³ /h (397-620 cfm)
Avskiljningsgrad, huvudfilter	> 99 % medelviktsfiltreringseffektivitet. Minsta effektivitet W3 (99%), EN ISO 15012-1, MERV 14 (ASHRAE 52.2) *.
Avskiljningsgrad, HEPA-filter (tillbehör)	> 99.95 % H13 *
Filteryta, huvudfilter	30 m ² (323 ft ²)
Filteryta, HEPA-filter (tillbehör)	7.5 m ² (81 ft ²)
Motoreffekt	0.75 kW (1 hp)
Spänning **	110/120/230/240 V
Fas	1 ~
Frekvens **	50/60 Hz
Transformator	24 V sekundär
Strålkastare	LED 24 V, 5W/6VA
Larmsignal	ljuddämpande, 2.9 kHz
Utsugsarm, aktionsradie	Max. 2 m (6 ft 7 in) eller 3 m (9 ft 10 in)
Horisontell svängbar arm	Ca. 240°
Vikt	<ul style="list-style-type: none"> • 71 kg (156 lb) med 2 m arm • 73 kg (161 lb) med 3 m arm
Temperatur, max. omgivningstemp.	40 °C (104 °F)
Temperatur, max. luftflödestemp.	60 °C (140 °F)
Ljudnivå, uppmätt enligt ISO 11204.	73 dB(A)
Materialåtervinning	90% av vikten, utan filterpatron
Skyddsklass	IP42

* Mer information finns i filterpatroninformationen.

** Beroende på modell.

4 Installation

4.1 Startinstruktion

Se [Bild 4](#).

- 1 Kontrollera att FilterCart W3 inte har skadats under transporten.
- 2 Kontrollera att nätspänningen är samma som på typskylten.
- 3 Anslut anslutningskabeln med kontakt till elnätet. Lysdioderna vid B lyser med fast sken och en ljudsignal ljuder kort. Lysdioden vid C blinkar grönt (standby).
- 4 Starta FilterCart W3 med strömbrytaren A, alternativt med omkopplaren på huvan på utsugsarmen.
- 5 Lysdioden vid C lyser med fast sken: Fläkten är igång.

4.2 Montering av utsugsarmens huv

Armen för rökutsugning är redan monterad. Huvan måste monteras enligt [Bild 2](#). Justera länkarna så att huvan enkelt kan placeras.



NOTERA!

X: Kabel med ögla.

4.3 Kopplingschema

Se [Bild 3](#).

- M1: Fläktmotor, 0,75 kW (1 hk).
- A1: Kretskort.
- T1: Transformator, 24 V sekundär.
- K1: Relä, fläkt.
- F1: Överströmsskyddsrelä.
- E1: Strålkastare, 20 W, 24 V.
- H1: Larmsignal, 2,9 kHz.
- H2: Larmsignal, 2,9 kHz.

* Spänning: beroende på modell.

5 Användningsinstruktioner

Se [Avsnitt 4.1 Startinstruktion](#) och [Bild 5](#).

- Utsugsarmens huva skall placeras så nära föroreningskällan som möjligt, se punkt A.



NOTERA!

För specifik information om positionering, se separat manual för huvan.

- FilterCart W3 flyttas bakifrån med olåsta hjul. Se figur B.
- Utsugsarmen riktas in med hjulen låsta enligt figur C.

6 Underhåll



VARNING! Risk för personskada

- Drag ur nätanslutningskabeln innan du påbörjar några underhållsarbeten.
- Använd nödvändig personlig skyddsutrustning.
- FilterCart W3 behöver rengöras före demontering.
- FilterCart W3 får endast demonteras i ett välventilerat rum.
- Använd rätt utrustning, t.ex. en dammsugare, för att rengöra FilterCart W3.
- Området där underhållet utförs måste rengöras noggrant efter slutfört underhåll.

Se [Bild 9](#). Underhåll rekommenderas minst en gång om året. Gör så här:

- Byt ut filterpatronen (och valfritt HEPA-filter) vid behov, se [Avsnitt 6.1 Byta filterpatronen](#)
- Kontrollera att slangen till rökutsugningsenheten inte är skadad. Byt vid behov slang.

- Kontrollera att slangen till fläktinloppet inte är skadad. Byt vid behov slang.
- Kontrollera att det inte har fastnat några föremål på skydds nätet framför fläktinloppet.
- Kontrollera att tryckfallsslangen (från kontrollpanelen) inte är skadad och att den har anslutits korrekt.
- Justera vid behov kopplingarna till rökutsugningsenheten.
- Drag vid behov åt armens profilskruvar. Se *-symbolerna i [Bild 9](#).
- Kontrollera att nätanslutningskabeln och fläktmotorkabeln inte är slitna eller skadade.
- Kontrollera att excenterlåsen sluter filterhöljet ordentligt. Justera vid behov excenterlåsen. Se [Avsnitt 6.1 Byta filterpatronen](#).

6.1 Byta filterpatronen

Se [Bild 7](#). Filterpatronen är en engångsartikel som skall kasseras efter användning. Filterpatronens livslängd varierar beroende på hur FilterCart W3 används och på vilken typ av föroreningar som samlas upp.

Kontrollera lysdioderna på tryckfallssymbolen på kontrollpanelen med jämna mellanrum för att se när det är dags för byte av filterpatronen, se [Avsnitt 3.2 Indikeringar på kontrollpanelen](#). Kontrollera alltid att slangarna för utsugsarmen och fläktinloppet är oskadade innan du bestämmer dig för att byta ut filterpatronen.



WARNING! Risk för personskada

Använd nödvändig personlig skyddsutrustning vid byte av filterpatroner.

Så byter du ut filterpatronen:

- 1 Drag ur nätanslutningskabeln.
- 2 Öppna excenterlåsen och tag bort filterhöljet.
- 3 Använd plastpåsen som levereras med den nya filterpatronen och träd den över den använda patronen. Vik in plastpåsen under patronen.
- 4 Använd en dammtrasa för att torka av kontaktytorna på filterpatronen i FilterCart W3. Lägg dammtrasan i en plastpåse med filterpatronen och förslut påsen med det medföljande bandet.
- 5 Hantera den använda filterpatronen i enlighet med tillämpliga förordningar för de uppsamlade ämnena.
- 6 Kontrollera att tryckfallsslangen (från kontrollpanelen) inte är skadad och att den har anslutits korrekt.
- 7 Kontrollera att den nya filterpatronen inte är skadad. Kontrollera även att tätningen som har monterats på undersidan av patronen inte är skadad. Montera därefter patronen på FilterCart W3.
- 8 Montera tillbaka filterhöljet. Se till att excenterlåsen sluter filterhöljet ordentligt.
 - A: Öka låskraften.
 - B: Minska låskraften.

6.2 Byta HEPA-filter (tillval)

Se [Bild 8](#). Om FilterCart W3 är utrustad med en HEPA-filter, ska denna bytas ut samtidigt som huvudfilterpatronen byts.



WARNING! Risk för personskada

Använd nödvändig personlig skyddsutrustning vid byte av HEPA-filter.

Så byter du HEPA-filter patronen:

- 1 Drag ur nätanslutningskabeln.
- 2 Skruva loss locket.
- 3 Tag bort det använda HEPA-filter och stoppa ned det i plastpåsen som levereras tillsammans med det nya HEPA-filtret. Förslut plastpåsen med det medföljande bandet.
- 4 Hantera det använda HEPA-filter i enlighet med tillämpliga förordningar för de uppsamlade ämnena.
- 5 Kontrollera att den nya HEPA-filter, figur A inte har skadats.



NOTERA!

Det är viktigt att man inte vidrör filterytan.

- 6 Kontrollera att UP-pilen, artikel B, är vänd uppåt. Hantera HEPA-filter mycket varsamt när du sätter i det i FilterCart W3. Kontrollera att det sitter rätt och att förseglingen är placerad nedåt. Kontrollera att förseglingen inte är skadad.
- 7 Skruva tillbaka locket. Drag åt det ordentligt.

7 Reservdelar

**VARSAMHET! Risk för skada på utrustningen**

Använd endast Nederman originalreservdelar och tillbehör.

Kontakta närmaste auktoriserade återförsäljare eller Nederman för information om teknisk service eller om du behöver beställa reservdelar. Se även www.nederman.com.

7.1 Beställa reservdelar

Ange alltid följande information vid beställning av reservdelar:

- Komponent- och kontrollnummer (se produktens märkskylt).
- Reservdelens artikelnummer och namn (se www.nederman.com/en/service/spare-part-search).
- Antal erforderliga reservdelar.

8 Tillbehör

- HEPA-filter H13, 7.5 m² (81 ft²) högeffektivt slutfilter, klass H13.
- Gnistskydd, monteras inne i huven. För att minska risken för brand.

9 Återvinning

Produkten är designad så att komponentmaterialet kan återvinnas. De olika materialtyperna måste hanteras i enlighet med tillämpliga lokala bestämmelser. Kontakta leverantören eller Nederman om det skulle uppstå oklarheter kring produktens skrotning i slutet av dess livslängd.

目录

图像	6
1 前言	83
2 安全性	83
2.1 重要信息分类	83
2.2 一般安全说明	83
3 说明	84
3.1 超载保护装置	84
3.2 控制板指示	84
3.3 尺寸	84
3.4 技术数据	85
4 安装	86
4.1 初步操作	86
4.2 安装吸尘臂吸风罩	86
4.3 接线图	86
5 使用说明	86
6 维护	86
6.1 更换滤芯	87
6.2 更换 HEPA-filter 滤芯 (配件)	87
7 备件	87
7.1 订购备件	88
8 配件	88
9 回收利用	88

1 前言

感谢您使用Nederman产品！

Nederman集团是环境技术领域产品和解决方案的全球领先供应商和开发商。我们的创新产品将在最苛刻的环境中进行过滤，清洁和回收利用。Nederman的产品和解决方案将帮助您提高生产率，降低成本，并减少工业流程对环境的影响。

请在安装、使用和维修本产品之前，认真阅读本手册。一旦手册丢失，请立即更换。Nederman保留修改和改进其产品（包括文档）且无须事先通知的权利。

本产品符合相关 EC 指令的要求。为保持这一状态，所有安装、维修和维护工作均应由取得资格的人员完成，并且只能使用原装 Nederman 备件。请联系距您最近的授权经销商或 Nederman，寻求有关技术服务的建议和获取备件。如果受损或缺少部件，请立即通知运输公司和当地的 Nederman 代表。

2 安全性

2.1 重要信息分类

本文档所含的重要信息以警告、注意或提示的方式呈现。请参见以下示例：



警告！人员伤亡风险

“警告”表示对人员的健康和​​安全构成潜在危险以及如何避免该危险。



警告！设备损坏风险

“警告”是指对产品而非操作人员的潜在危害，以及如何避免该危害。



注意！

“注意”包含其他需要相关人员予以重视的信息。

2.2 一般安全说明



警告！人员伤亡风险

- 发生火灾时，FilterCart W3 产生的烟雾可能含有燃烧的聚碳酸酯、PVC、聚乙烯等有害物质。此外，根据被分离的材料，分离的粉尘可能会产生有害烟雾。
- 该产品不能用于有爆炸危险的环境中，不能用于处理达到爆炸浓度的气体。
- 如果该产品已被用于粉尘应用，不要使用它来处理焊接烟雾或研磨粉尘。
- 检查是否存在任何会导致火灾的火花或其他异物吸入吸尘臂内。对于产生大量火花的焊接应用，必须在吸风罩处安装火花防护装置（见附件），以降低火灾风险。看到 [图像 10](#)。
- 该产品不得用于提取有毒物质（焊接烟雾除外）。
- 无滤芯和外壳状态下不要使用该产品。
- 产品不能用于没有通风的密闭房间。
- 只有合格培训的人员才允许使用本产品。

3 说明

FilterCart W3 可以过滤掉烟雾和灰尘等 W3 类污染物。它还能过滤掉含有 CMR (致癌致突变生殖毒性) 物质的焊接烟雾，例如由焊接高合金钢或含 5% 以上 (铬、镍) 的焊材产生的烟气。

FilterCart W3 仅可用于室内，设计为可抽吸和过滤 W3 类焊接烟雾。吸风罩配有一个高效聚光灯。



注意！

FilterCart W3 没有任何用于引导废气的连接。

3.1 超载保护装置

参见 [图像 4](#)。FilterCart W3 配备有过载保护器，这意味着如果风机电机过载，电源会自动断开。

- C: 红灯表示电源断开，过载保护器释放。
- D: 重置过载保护器的按钮。

3.2 控制板指示

参见 [图像 6](#) 章节。

- A 连接电源插头时，发光二极管指示持续光，且警报信号短暂鸣响。
- B 发光二极管指示闪烁绿光：FilterCart W3 已连接到电源 (待机)。
- C FilterCart W3 启动后，发光二极管指示固定绿光。风扇正在运行。
- D FilterCart W3 准备就绪可供使用，发光二极管稍后指示持续绿光。使用一段时间后，通过吸尘臂的风量会减弱，且压降将增大，此时必须更换滤芯。
- E 发光二极管指示持续光：压降已增大。更换滤芯的预警。
- F 发光二极管指示持续光，大约 30 秒后，间歇警报信号报警。更换滤芯。如果您想在更换滤芯前完成正在进行的工作，可以按一下启动按钮来停止警报信号。警报信号会在大约 10 分钟后激活。按两下启动按钮可以停止风扇。此外，也可以使用吸尘臂吸风罩上的开关来停止风扇。
- G 发光二极管指示闪烁红光表示警报记忆。警报启动后 (依照上述情况)，如换班等情况停止了 FilterCart W3。必须更换滤芯。
- H 发光二极管指示持续红光，开始间歇警报信号。过载保护器已启动。检查原因后按下“电机保护器重置”按钮重置过载保护器。

3.3 尺寸

参见 [图像 1](#) 章节。

- A: 水平旋转臂。
- B: 取决于手臂。

3.4 技术数据

FilterCart W3	
工作能力	675-1050 m ³ /h (397-620 cfm)
主滤芯过滤效率	> 99 % 平均重量过滤效率. 最低效率 W3 (99%) , EN ISO 15012-1 , MERV 14 (ASHRAE 52.2) *。
过滤效率 , HEPA-filter (附件)	> 99.95 % H13 *
主滤芯过滤面积	30 m ² (323 ft ²)
过滤面积 , HEPA-filter (附件)	7.5 m ² (81 ft ²)
电机功率	0.75 kW (1 hp)
电压 **	110/120/230/240 V
相数	1 ~
频率 **	50/60 Hz
变压器	次级 24 V
聚光灯	LED 24 V, 5W/6VA
警报信号	声音 , 2.9 kHz
吸尘臂 , 作用半径	最大 2 m (6 ft 7 in) 或 3 m (9 ft 10 in)
吸尘臂 , 旋转角度	约 240°
重量	<ul style="list-style-type: none"> • 71 kg (156 lb) 含 2 m 臂 • 73 kg (161 lb) 含 3 m 臂
温度 , 最高环境温度	40 °C (104 °F)
温度 , 最高空气温度	60 °C (140 °F)
噪声水平 , 根据 ISO 11204 测量。	73 dB(A)
材料回收	90% 重量 , 不含滤芯
防护等级	IP42

* 有关更多特定数据, 请参见滤筒信息。

** 取决于型号。

4 安装

4.1 初步操作

参见 [图像 4](#) 章节。

- 1 确保 FilterCart W3 未在运输过程中受损。
- 2 检查电源电压是否与铭牌上标示的电压相同。
- 3 将连接电缆插头接入电源。B 处的发光二极管指示持续光，且警报信号短暂鸣响。C 处的发光二极管指示闪烁绿光（待机）。
- 4 使用开关 A 或用吸尘臂吸风罩上的开关启动 FilterCart W3。
- 5 C 处的发光二极管指示持续绿光：风扇运行。

4.2 安装吸尘臂吸风罩

已经安装好吸尘臂。吸风罩必须依照 [图像 2](#) 来安装。调整联接部位，使吸风罩能够方便地放置到位。



注意！

X: 带环套的电缆。

4.3 接线图

参见 [图像 3](#) 章节。

- M1: 风机电机，0.75 kW (1 hp)。
- A1: 电路卡。
- T1: 变压器，24 V 次级电压。
- K1: 继电器，风扇。
- F1: 过载保护器继电器。
- E1: 聚光灯，20 W，24 V。
- H1: 警报信号，2.9 kHz。
- H2: 警报信号，2.9 kHz。

* 电压：取决于型号。

5 使用说明

参见 [部分 4.1 初步操作](#) 和 [图像 5](#)

- 吸尘臂的吸风罩应尽可能靠近污染源，参见 A 项。



注意！

有关具体位置选择细节，请参阅吸风罩的单独手册。

- FilterCart W3 应依照 B 项，在轮子解锁后，从后方移动。
- 吸尘臂应依照 C 项，在锁好轮子后进行定位。

6 维护



警告！人员伤亡风险

- 在开始任何维护工作之前，断开主电源电缆。
- 使用必要的个人安全设备。
- 拆卸前，需要清洁 FilterCart W3。
- 只能在通风良好的房间内拆卸 FilterCart W3。
- 使用适当的设备，例如真空吸尘器清洁 FilterCart W3。
- 完成工作后，必须正确清洁进行维护的区域。

参见 [图像 9](#)。建议每年至少进行一次维护。请操作如下：

- 必要时更换滤芯（和可选的 HEPA-filter 滤芯），参见第 [章部分 6.1 更换滤芯](#)。
- 确认吸尘臂软管没有受损。如有必要，应更换软管。
- 确认风机进气口的软管没有受损。如有必要，应更换软管。

- 确认风机进气口的防护网上没有缠住任何东西。
- 检查压降软管（从控制板）是否完好无损并安装正确。
- 如果必要，调整吸尘臂联接。
- 如有必要，拧紧机械臂轮廓螺栓，请参见中的*符号 [图像9](#)。
- 确认主连接电缆和风机机电缆没有磨损或受损。
- 确认偏心锁适当锁紧过滤外壳。必要时调整偏心锁。参见第 [章部分 6.1 更换滤芯](#)。

6.1 更换滤芯

参见 [图像7](#)。滤芯可自由使用且应在用完后即可丢弃。滤芯寿命随 FilterCart W3 的使用方式以及所收集污染物的数量和类型的不同而有很大差异。

定期检查控制板压力下降符号上的指示灯，了解何时更换滤芯，参见 [部分 3.2 控制板指示](#)。在决定更换滤芯之前，需确认吸尘臂和风机进气口的软管完好无损。



警告！人员伤亡风险
更换滤芯时，应使用必要的个人安全设备。

请按下列方式更换滤芯：

- 1 断开主连接电缆。
- 2 松开偏心锁并拆下滤芯外壳。
- 3 将新滤芯的塑料袋盖上用过的滤芯。滤芯下方也要包好塑料袋。
- 4 用抹布擦拭 FilterCart W3 的滤芯接触面。将抹布放在随滤芯提供的塑料袋中，用提供的带子封好塑料袋。
- 5 依照所收集物质的相关法规处理用过的滤芯。
- 6 检查压降软管（从控制板）是否完好无损并安装正确。
- 7 确认新滤芯没有受损。还要检查滤芯底部安装的密封条是否完好无损。然后将滤芯安装到 FilterCart W3。
- 8 重新装上过滤外壳。确保偏心锁恰当地锁紧过滤外壳。
 - A: 增加锁紧力。
 - B: 减少锁紧力。

6.2 更换 HEPA-filter 滤芯（配件）

参见 [图像8](#)。如果 FilterCart W3 配有 HEPA-filter 滤芯，则应在更换主滤芯时同时更换该滤芯。



警告！人员伤亡风险
更换 HEPA-filter 滤芯时，应使用必要的个人安全设备。

请按以下方法更换 HEPA-filter 滤芯：

- 1 断开主连接电缆。
- 2 旋开顶盖螺丝。
- 3 拆下用过的 HEPA-filter 滤芯并将它放入新 HEPA 滤芯的塑料袋中。用提供的带子系紧塑料袋。
- 4 依照相关废品处理法规处理用过的 HEPA-filter 滤芯。
- 5 检查新的 HEPA-filter，项目 A 是否完好无损。



注意！
切勿触摸滤芯表面。

- 6 确认向上箭头（项目 B）指向上方。小心取放 HEPA-filter 并将它安装到 FilterCart W3。确保将它固定到正确位置，且密封条向下。确认密封条没有受损。
- 7 重新装好顶盖。固定好。

7 备件



警告！设备损坏风险
只能使用 Nederman 原装备件。

如需有关技术服务的建议或者需要备件相关帮助，请联系距您最近的授权经销商或 Nederman。另请参见 www.nederman.com。

7.1 订购备件

订购备件时，请提供以下信息：

- 零部件及控件编号（见产品铭牌）。
- 备件の詳細编号和名称（参见 www.nederman.com/en/service/spare-part-search）。
- 所需备件的数量。

8 配件

- HEPA-filter H13，7.5 m² (81 ft²) 高效最终滤芯，H13 类。
- 火花防护装置，安装在吸风罩内。用于降低火灾风险。

9 回收利用

本产品的設計使组件材料可以回收利用。不同类型的材料请按当地相关规定处理。有关产品达到使用寿命进行报废时如有不确定，请联系经销商或 Nederman。

Nederman

www.nederman.com