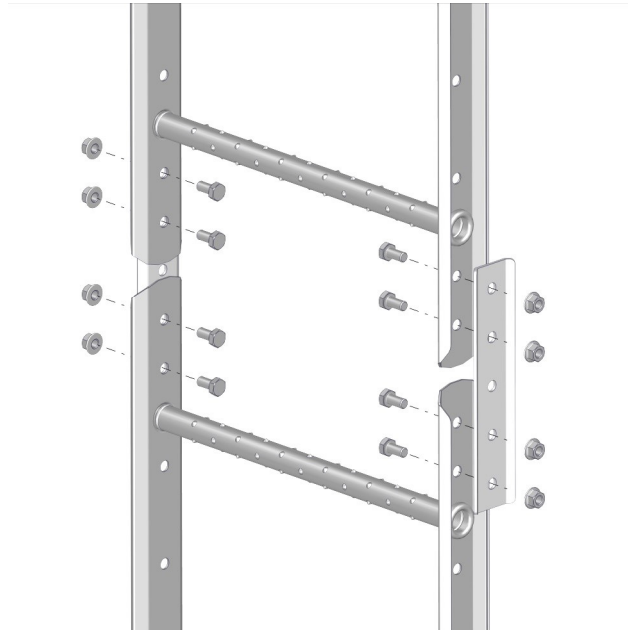
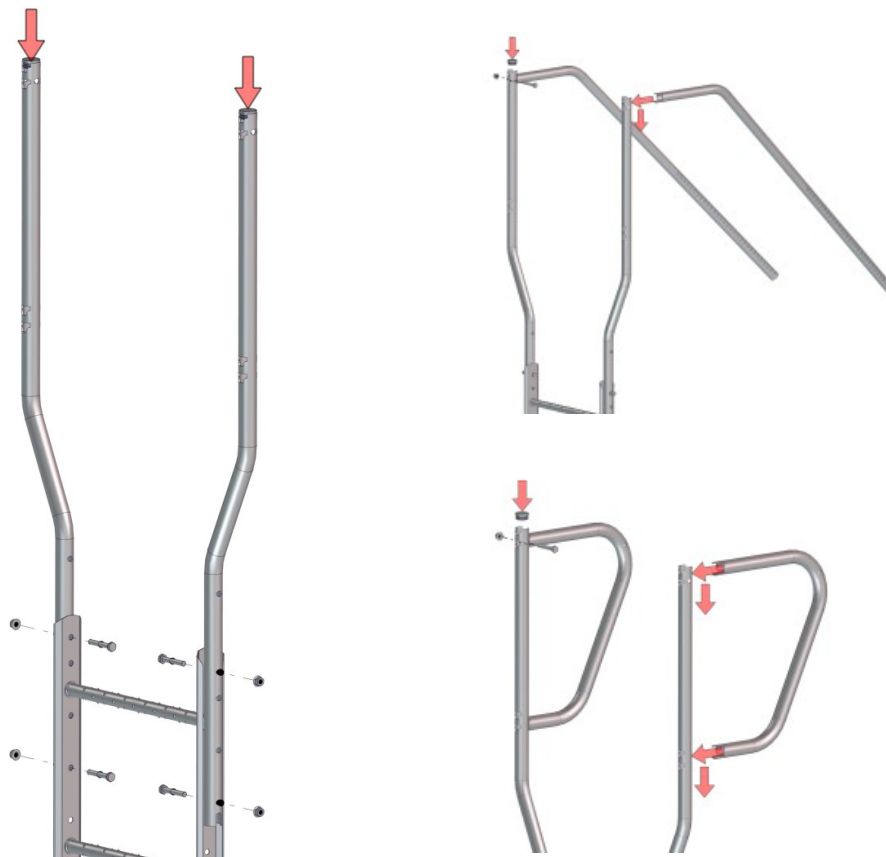


Mounting instruction - Ladder

1



2



Mounting instruction - Ladder

