

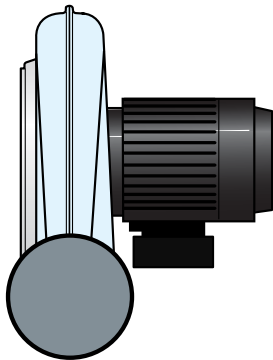
Fans, N-series

N16/24/27/29/40

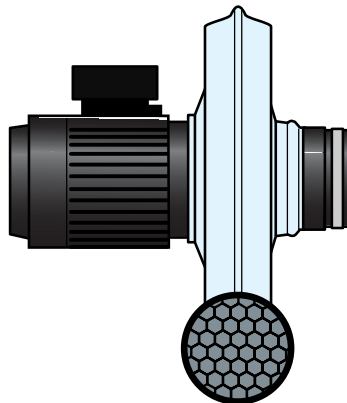
N16

N24

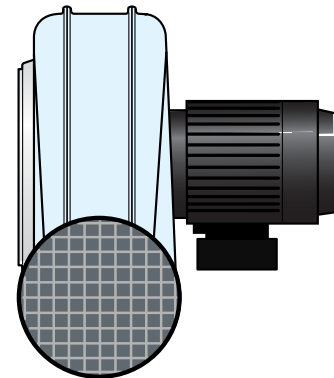
N27



N29



N40



Original user manual

EN USER MANUAL

Translation of original user manual

CS NÁVOD K OBSLUZE

DA BRUGERVEJLEDNING

DE BEDIENUNGSANLEITUNG

ES MANUAL DE USUARIO

FI KÄYTTÖOHJE

FR MANUEL DE L'UTILISATEUR

HU FELHASZNÁLÓI KÉZIKÖNYV

IT MANUALE DELL'UTENTE

NL GEBRUIKERSHANDLEIDING

NO BRUKERMANUAL

PL INSTRUKCJA OBSŁUGI

PT MANUAL DO UTILIZADOR

SV ANVÄNDARMANUAL

ZH 使用手册

| | |
|---------------------------------|----|
| Declaration of Conformity | 4 |
| Figures | 7 |
| English | 16 |
| Český | 21 |
| Dansk | 26 |
| Deutsch | 31 |
| Español | 36 |
| Suomi | 41 |
| Français | 46 |
| Magyar | 51 |
| Italiano | 56 |
| Nederlands | 61 |
| Norsk | 66 |
| Polski | 71 |
| Português | 76 |
| Svenska | 81 |
| 中文 | 86 |

Declaration of Conformity

EN English

Declaration of Conformity

We, AB Ph. Nederman & Co., declare under our sole responsibility that the Nederman product:

N16/24/27/29/40 (Part No. **, and stated versions of **) to which this declaration relates, is in conformity with all the relevant provisions of the following directives and standards:

Directives

2006/42/EC, 2014/30/EU, 2011/65/EU.

Standards

EN 60204-1:2018, EN ISO 12100:2010, EN ISO 20607:2019.

The name and signature at the end of this document is the person responsible for both the declaration of conformity and the technical file.

CS Český

Prohlášení o Shodě

My, společnost AB Ph. Nederman & Co., prohlašujeme na svou zodpovědnost, že výrobek Nederman:

N16/24/27/29/40 (díl č. **, a uvedla, verze **), ke kterému se toto prohlášení vztahuje, je v souladu se všemi příslušnými ustanoveními následujících směrnic a norem:

Směrnice

2006/42/EC, 2014/30/EU, 2011/65/EU.

Normy

EN 60204-1:2018, EN ISO 12100:2010, EN ISO 20607:2019.

Na konci tohoto dokumentu je jméno a podpis osoby zodpovědné za prohlášení o shodě a soubor technické dokumentace.

DA Dansk

Overensstemmelseserklæring

AB Ph. Nederman & Co., erklærer som eneansvarlige, at følgende produkt fra Nederman:

N16/24/27/29/40 (Artikel nr. **, og erklærede versioner af **), som denne erklæring vedrører, er i overensstemmelse med alle de relevante bestemmelser i de følgende direktiver og standarder:

Direktiver

2006/42/EC, 2014/30/EU, 2011/65/EU.

Standarder

EN 60204-1:2018, EN ISO 12100:2010, EN ISO 20607:2019.

Navnet og underskriften sidst i dette dokument tilhører den person, der er ansvarlig for såvel overensstemmelseserklæringen som den tekniske dokumentation.

DE Deutsch

Konformitätserklärung

Wir, AB Ph. Nederman & Co., erklären in alleiniger Verantwortung, dass das Nederman Produkt:

N16/24/27/29/40 (Art.-Nr. **, und bauartgleiche Versionen **), auf welches sich diese Erklärung bezieht, mit allen einschlägigen Bestimmungen der folgenden Richtlinien und Normen übereinstimmt:

Richtlinien

2006/42/EC, 2014/30/EU, 2011/65/EU.

Standards

EN 60204-1:2018, EN ISO 12100:2010, EN ISO 20607:2019.

Der Name und die Unterschrift am Ende dieses Dokuments sind die für die Konformitätserklärung und die technischen Unterlagen verantwortlichen Personen.

ES Español

Declaración de Conformidad

Nosotros, AB Ph. Nederman & Co., declaramos bajo nuestra exclusiva responsabilidad que el producto de Nederman, N16/24/27/29/40 (Ref. n.º ** y las versiones indicadas de **), al que hace referencia esta declaración, cumple con todas las provisiones relevantes de las Directivas y normas que se indican a continuación:

Directivas

2006/42/EC, 2014/30/EU, 2011/65/EU.

Normas

EN 60204-1:2018, EN ISO 12100:2010, EN ISO 20607:2019.

El nombre y firma que figuran al final de este documento corresponden a la persona responsable, tanto de la declaración como de la ficha técnica.

FI Suomi

Vaativustenmukaisuusvakuutus

Me, AB Ph. Nederman & Co., vakuutamme yksinomaan omalla vastuullamme, että Nederman tuote:

N16/24/27/29/40 (tuotenro ** ja **:n määritetyt versiot), jota tämä vakuutus koskee, on seuraavien direktiivien ja standardien kaikkien sovellettavien määräysten mukainen:

Direktiivit

2006/42/EC, 2014/30/EU, 2011/65/EU.

Standardit

EN 60204-1:2018, EN ISO 12100:2010, EN ISO 20607:2019.

Tämä asiakirjan lopussa oleva nimi ja allekirjoitus ovat henkilön, joka vastaa sekä vaatimuksenmukaisuusvakuutuksesta että teknisestä tiedostosta.

FR Français**Déclaration de Conformité**

Nous, AB Ph. Nederman & Co., déclarons sous notre seule responsabilité que le produit Nederman :

N16/24/27/29/40 (réf. ** et versions indiquées de **) auquel fait référence la présente déclaration est en conformité avec toutes les dispositions applicables des directives et normes suivantes :

Directives

2006/42/EC, 2014/30/EU, 2011/65/EU.

Normes

EN 60204-1:2018, EN ISO 12100:2010, EN ISO 20607:2019.

Le nom et la signature à la fin de ce document sont ceux de la personne responsable de la déclaration de conformité et du fichier technique.

IT Italiano**Dichiarazione di Conformità**

AB Ph. Nederman & Co., dichiara sotto la propria esclusiva responsabilità che il prodotto Nederman:

N16/24/27/29/40 (Art. N. **, e le versioni di detto **) al quale è relativa la presente dichiarazione, è conforme alle disposizioni delle seguenti direttive e normative:

Direttive

2006/42/EC, 2014/30/EU, 2011/65/EU.

Normative

EN 60204-1:2018, EN ISO 12100:2010, EN ISO 20607:2019.

Il nome e la firma in calce al presente documento appartengono al responsabile della dichiarazione di conformità e della documentazione tecnica.

NO Norsk**Erklæring om Överensstemmelse**

Vi, AB Ph. Nederman & Co., erklærer under vårt eneste ansvar at Nederman-produktet:

N16/24/27/29/40 (delenr. **, og angitte versjoner av **) som denne erklæringen vedrører, er i samsvar med alle relevante bestemmelser i følgende direktiver og standarder:

Direktiver

2006/42/EC, 2014/30/EU, 2011/65/EU.

Standarder

EN 60204-1:2018, EN ISO 12100:2010, EN ISO 20607:2019.

Navnet og signaturen på slutten av dette dokumentet er den som er ansvarlig for både samsvarserklæringen og den tekniske filen.

PT Português**Declaração de Conformidade**

Nós, da AB Ph. Nederman & Co., declaramos sob nossa responsabilidade exclusiva que o Nederman produto:

N16/24/27/29/40 (peça nº **, e versões referidas de **) à qual esta declaração se refere, está em conformidade com todas as disposições relevantes das seguintes diretrizes e normas:

Directivas

2006/42/EC, 2014/30/EU, 2011/65/EU.

Normas

EN 60204-1:2018, EN ISO 12100:2010, EN ISO 20607:2019.

O nome e a assinatura no fim deste documento é a pessoa responsável pela declaração de conformidade e pelo arquivo técnico.

HU Magyar**Megfelelőségi Nyilatkozat**

Az AB Ph. Nederman & Co. vállalat teljes felelőssége tudatában kijelenti, hogy a(z):

Nederman (cikkszám: **, és módosított verziói **) termék, amelyre ez a nyilatkozat vonatkozik, megfelel az alábbi irányelveknek és szabványoknak:

Irányelvek

2006/42/EC, 2014/30/EU, 2011/65/EU.

Szabványok

EN 60204-1:2018, EN ISO 12100:2010, EN ISO 20607:2019.

A dokumentum végén található név és aláírás a megfelelőségi nyilatkozatért és a műszaki dokumentációért felelős személy neve és aláírása.

NL Nederlands**Conformiteitsverklaring**

Wij, AB Ph. Nederman & Co., verklaren onder onze verantwoordelijkheid dat het Nederman product:

N16/24/27/29/40 (artikelnr. **, en vermelde uitvoeringen van **) waarop deze verklaring betrekking heeft, in overeenstemming is met alle relevante bepalingen van de volgende richtlijnen en normen:

Richtlijnen

2006/42/EC, 2014/30/EU, 2011/65/EU.

Normen

EN 60204-1:2018, EN ISO 12100:2010, EN ISO 20607:2019.

Naam en handtekening onder dit document zijn van degene die verantwoordelijk is voor zowel de Verklaring van Overeenstemming als het technische document.

PL Polski**Deklaracja Zgodności**

My, AB Ph. Nederman & Co. niniejszym oświadczamy na naszą własną odpowiedzialność, że Nederman produkt:

N16/24/27/29/40 [nr części ** oraz wskazane wersje **], który jest przedmiotem niniejszej deklaracji, spełnia wszystkie odpowiednie wymagania wymienionych niżej dyrektyw i norm:

Dyrektywy

2006/42/EC, 2014/30/EU, 2011/65/EU.

Normy

EN 60204-1:2018, EN ISO 12100:2010, EN ISO 20607:2019.

Na końcu niniejszego dokumentu znajdują się imię i nazwisko oraz podpis osoby odpowiedzialnej za deklarację zgodności oraz dokumentację techniczną.

SV Svenska**Överensstämmelsedeklaration**

Vi, AB Ph. Nederman & Co., förklarar under vårt fulla ansvar att Nederman-produkten:

N16/24/27/29/40 (artikelnummer **, och angivna versioner av **) som denna deklaration avser, är i överensstämmelse med alla relevanta bestämmelser i följande direktiv och standarder:

Direktiv

2006/42/EC, 2014/30/EU, 2011/65/EU.

Standarder

EN 60204-1:2018, EN ISO 12100:2010, EN ISO 20607:2019.

Namnet och signaturen i slutet av detta dokument är den person som ansvarar för både försäkran om överensstämmelse och den tekniska filen.

ZH 中文

符合性声明

我们瑞典 AB Ph. Nederman & Co. 公司郑重声明：
与本声明相关的 Nederman 产品 N16/24/27/29/40 (零件号：**，并指出版本**) 符合以下指令和标准的所有相关条例：

指令

2006/42/EC, 2014/30/EU, 2011/65/EU.

标准

EN 60204-1:2018, EN ISO 12100:2010, EN ISO 20607:2019.

此文档末尾的名字和签名即为符合性声明和技术文件的负责人。

**

12373780, 12373781, 12373793, 12373845, 12373846, 12373847, 12373848, 12373849, 12373983, 12377004, 12377005, 12377006, 12377007, 14510223, 14511723, 14519229, 14522129, 14523121, 14500121, 14500122, 14500222, 14500322, 14500422, 14500522, 14510022, 14510022, 14510121, 14510122, 14510123, 14510129, 14510222, 14510321, 14510329, 14510422, 14510521, 14510522, 14510621, 14510829, 14511021, 14511022, 14511222, 14511521, 14511621, 14513021, 14513021, 14513522, 14513622, 14514122, 14514122, 14514222, 14514222, 14514322, 14514322, 14514422, 14514422, 14521321, 14521421, 14521621, 14521721, 14522529, 14522621, 14522629, 14522721, 14522821

AB Ph. Nederman & Co.
P.O. Box 602
SE-251 06 Helsingborg
Sweden

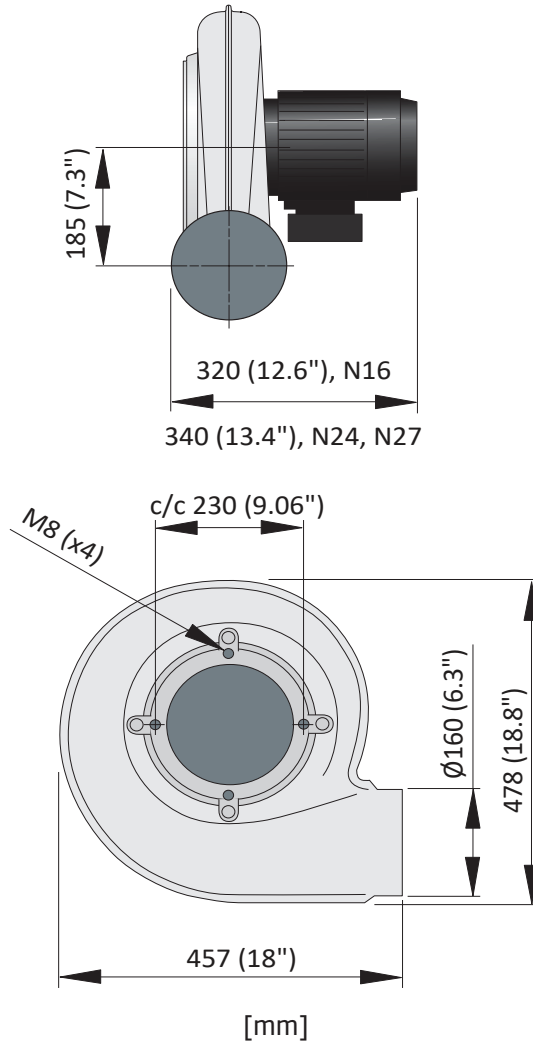
Anna Cederlund
Product Center Manager
Technical Product Management
2024-06-18



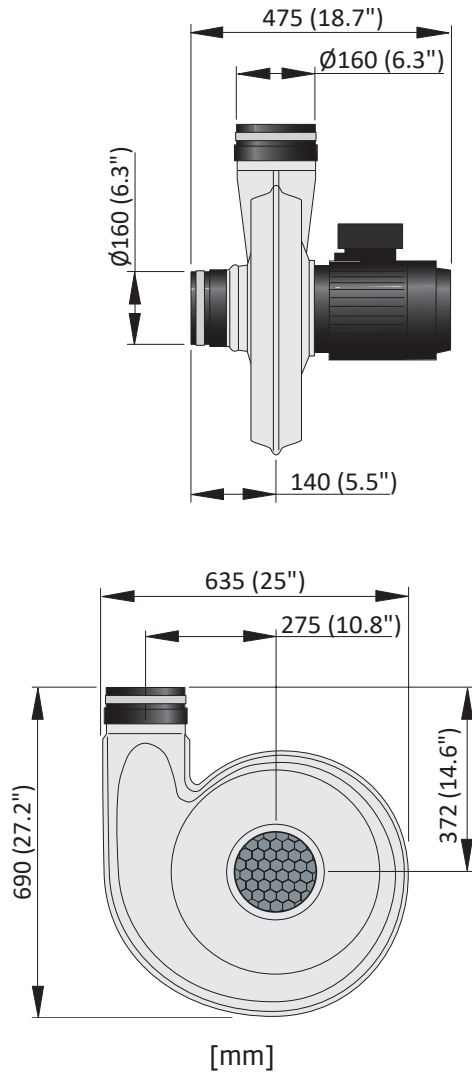
Figures

1

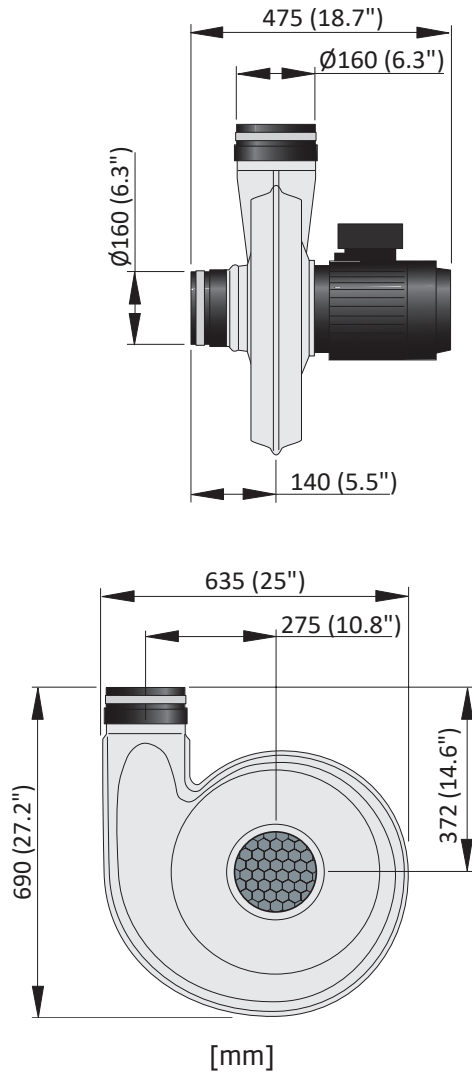
N16, N24, N27



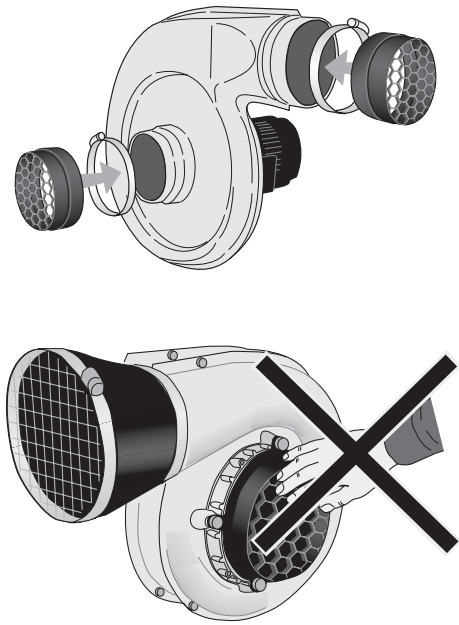
N29



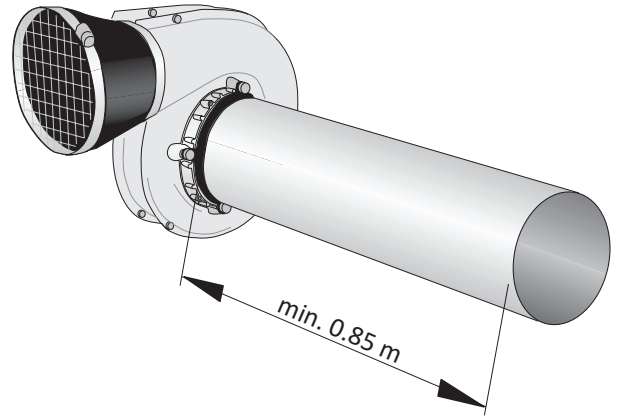
N40



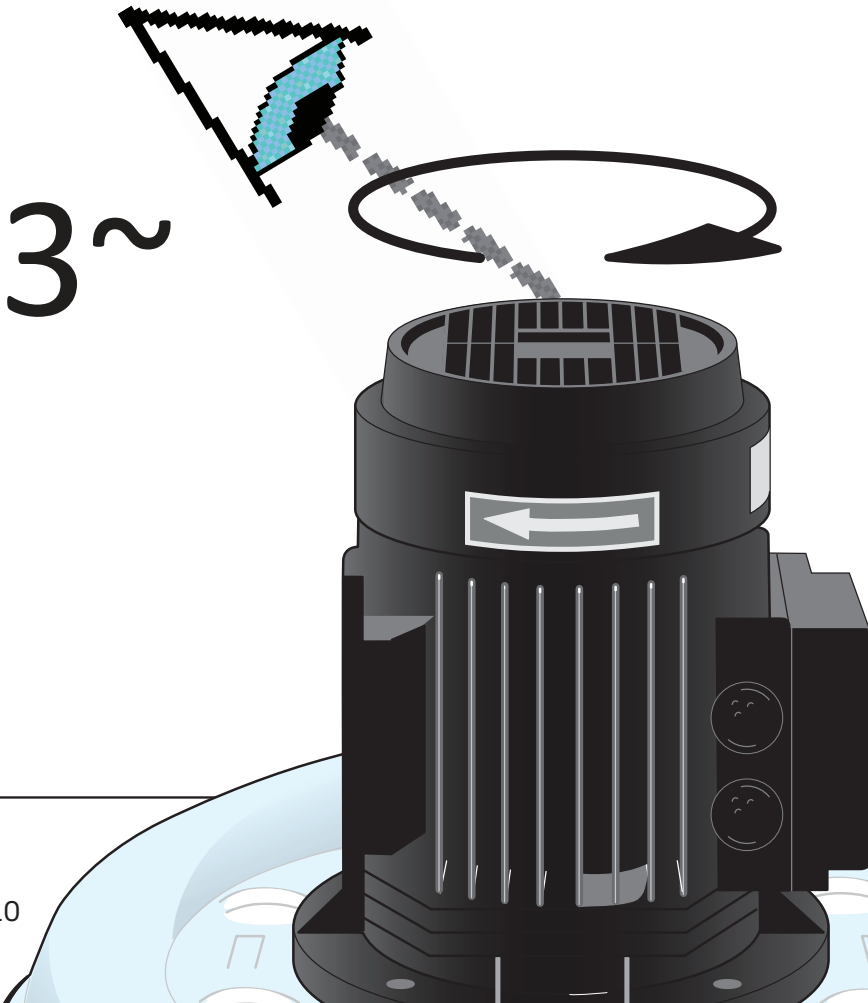
4



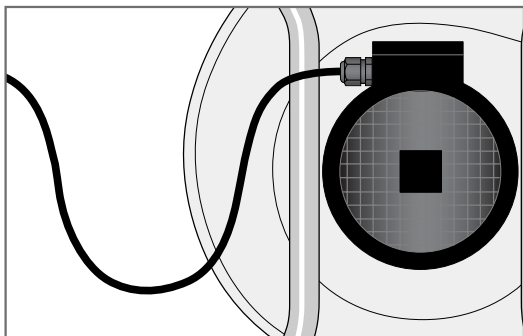
5



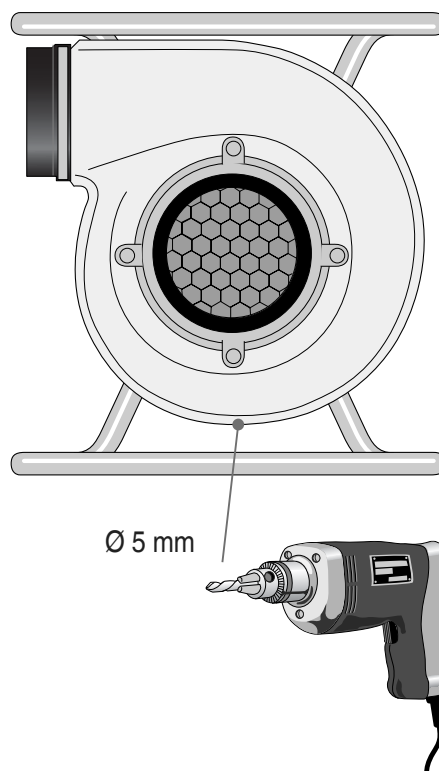
6



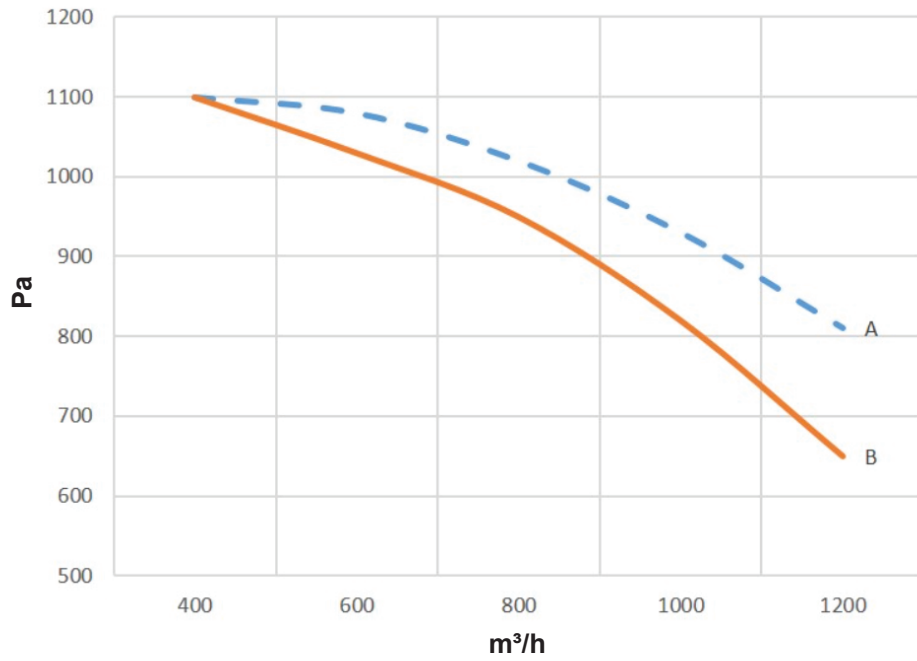
7



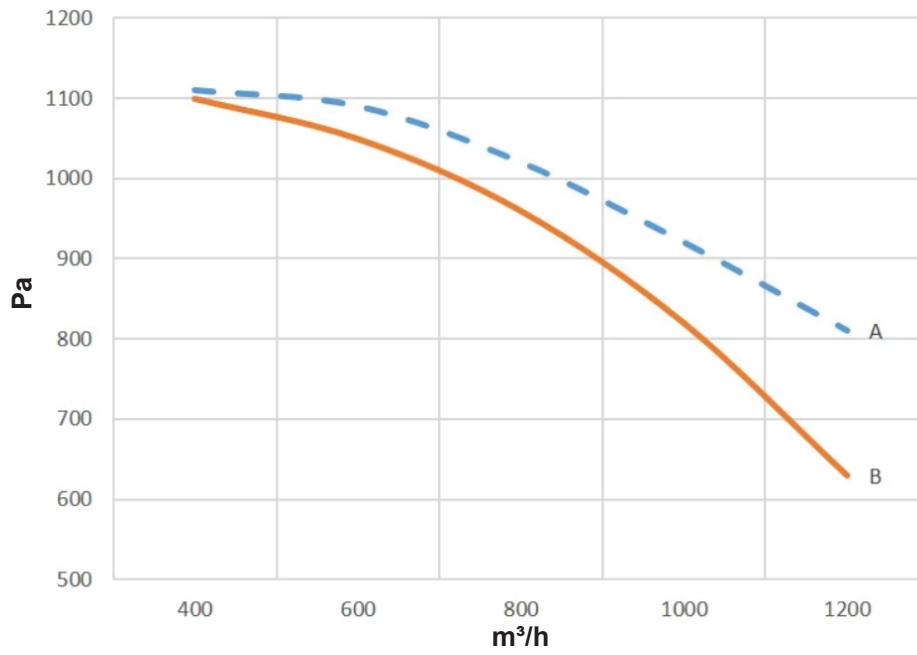
8



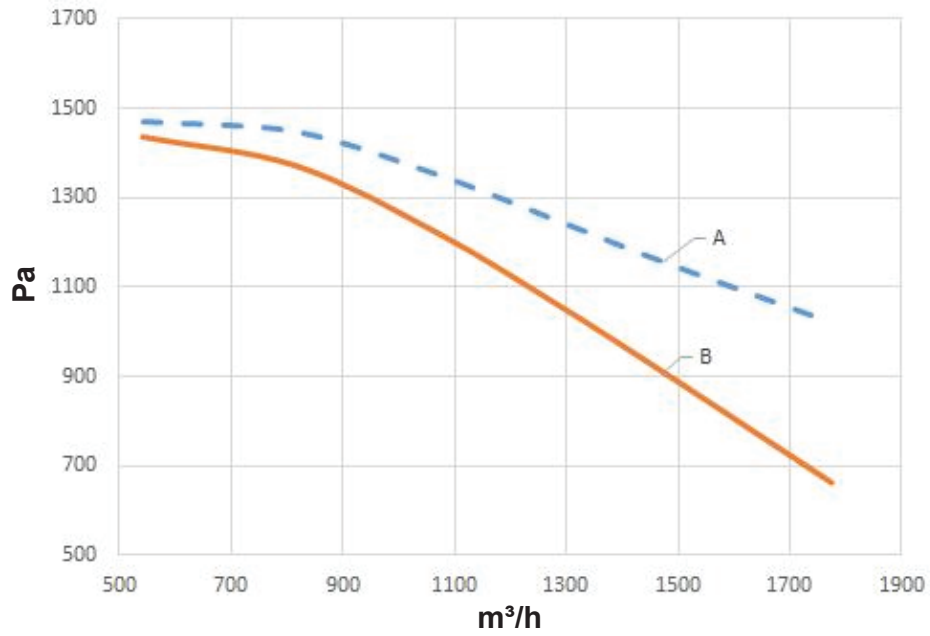
N16 - 1 PH



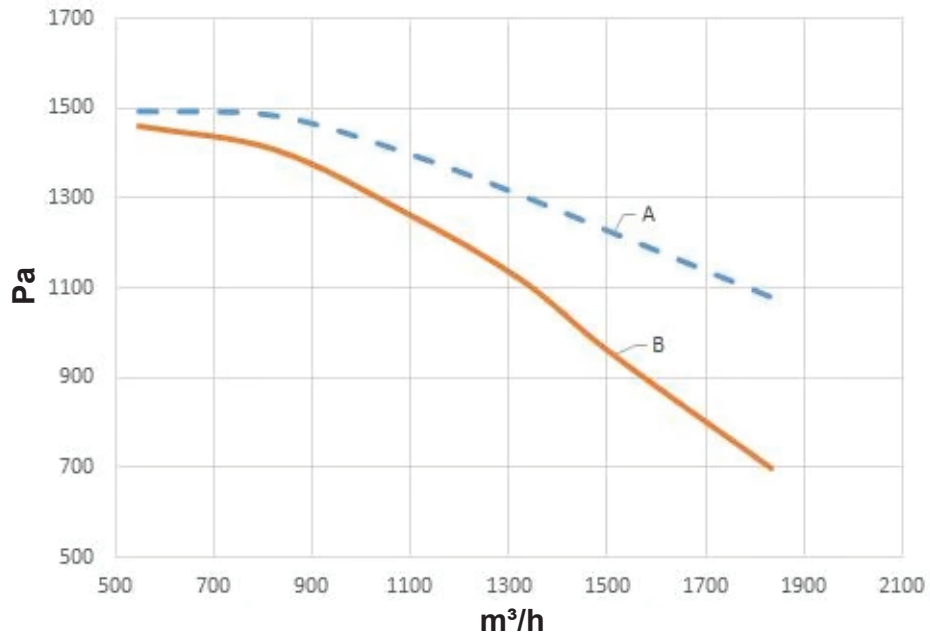
N16 - 3 PH



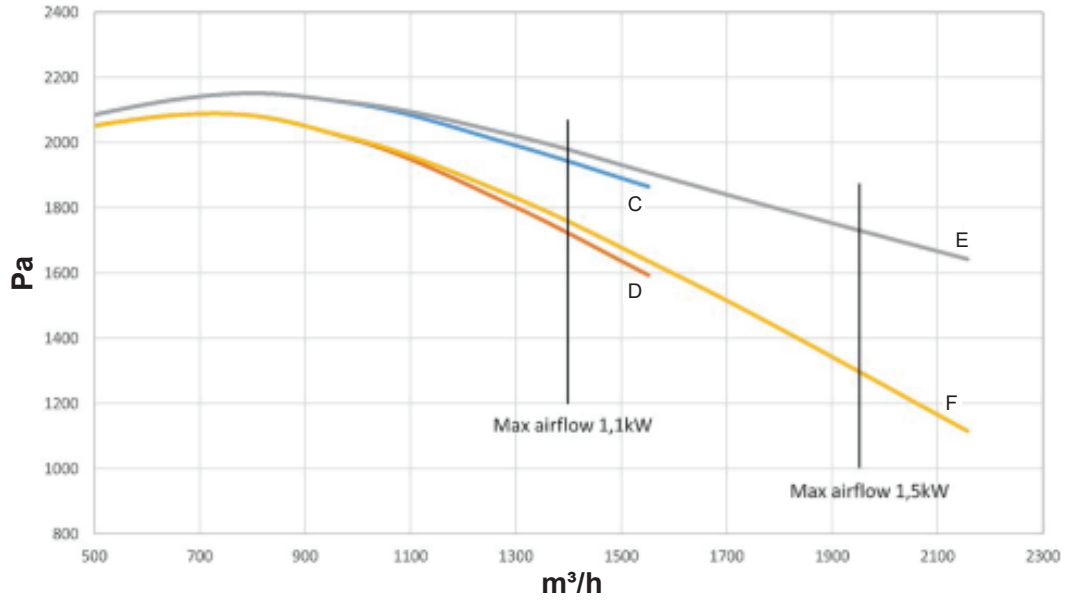
N24 - 1 PH



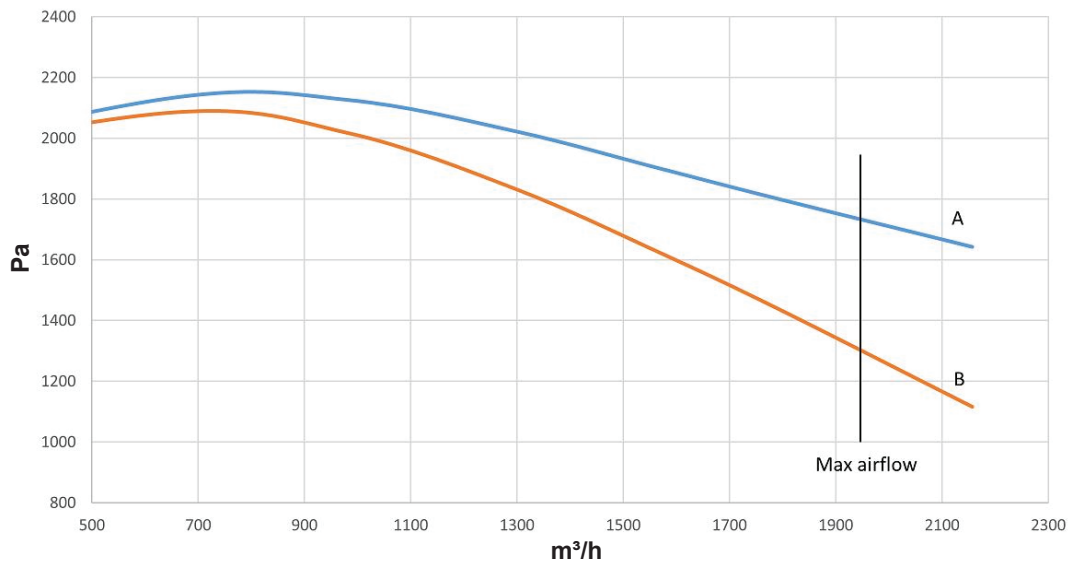
N24 - 3 PH



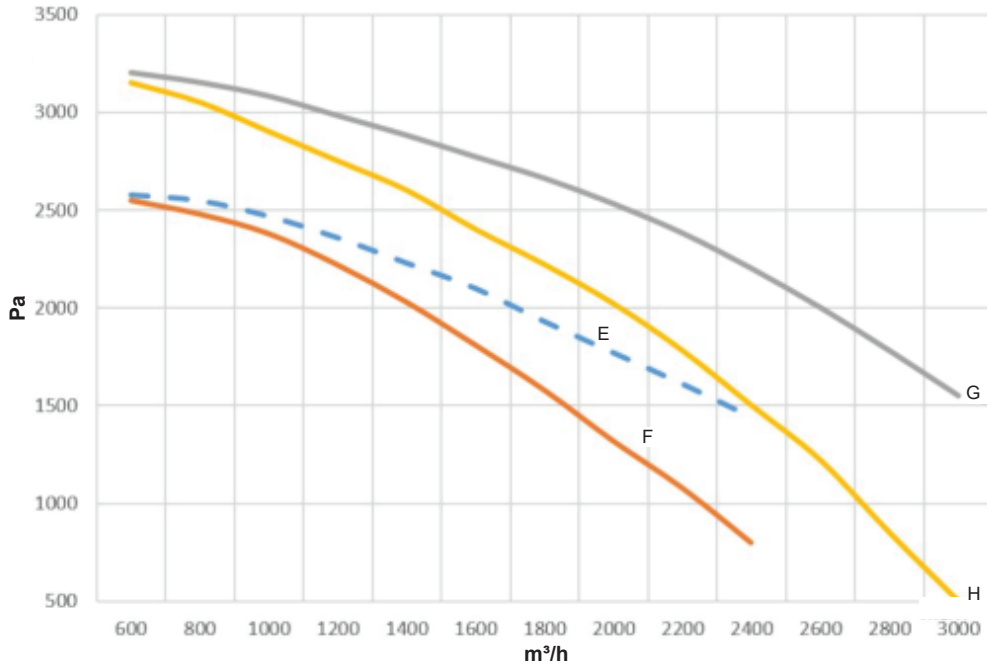
N27 - 1 PH



N27 - 3 PH



N29 - 3 PH



N40 - 3 PH

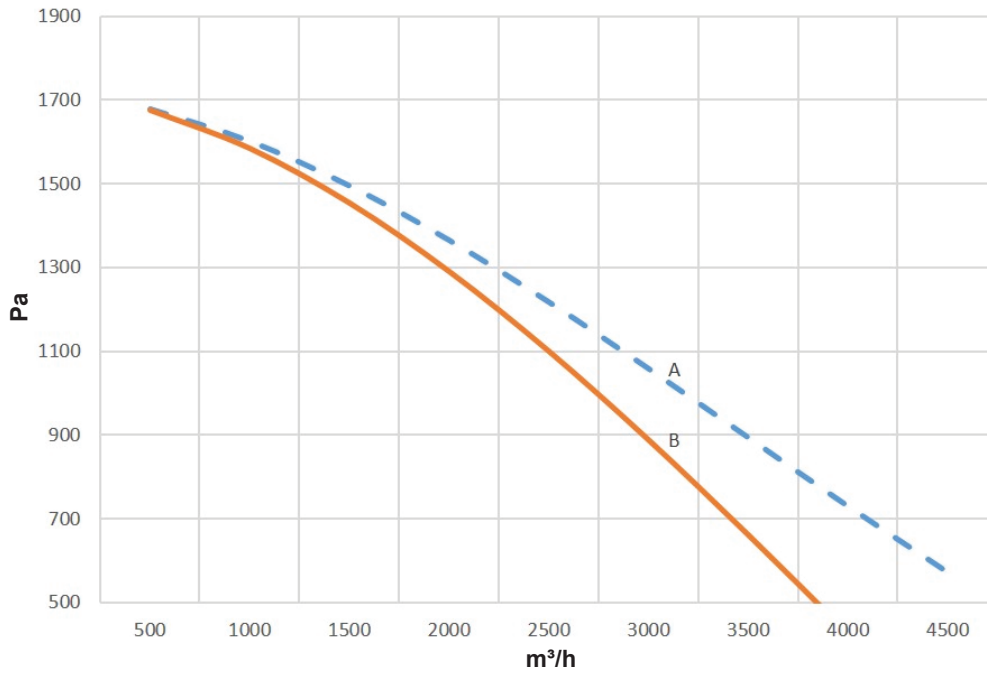


Table of contents

| | |
|---|----|
| Figures | 7 |
| 1 Preface | 17 |
| 2 Safety | 17 |
| 2.1 Classification of important information | 17 |
| 3 Description | 17 |
| 3.1 Measurements | 17 |
| 3.2 Pressure drop diagrams | 17 |
| 3.3 Technical data | 17 |
| 4 Installation | 19 |
| 4.1 Mounting instruction N16/24/27/29/40 | 19 |
| 4.2 Electrical installation | 19 |
| 5 Use | 19 |
| 5.1 Starting instructions | 19 |
| 5.2 Outdoor use / Draining | 19 |
| 6 Maintenance | 19 |
| 7 Spare Parts | 20 |
| 7.1 Ordering spare parts | 20 |
| 8 Recycling | 20 |

1 Preface

Thank you for using a Nederman product!

The Nederman Group is a world-leading supplier and developer of products and solutions for the environmental technology sector. Our innovative products will filter, clean and recycle in the most demanding of environments. Nederman's products and solutions will help you improve your productivity, reduce costs and also reduce the impact on the environment from industrial processes.


Read all product documentation and the product identification plate carefully before installation, use, and service of this product. Replace documentation immediately if lost. Nederman reserves the right, without previous notice, to modify and improve its products including documentation.


This product is designed to meet the requirements of relevant EC directives. To maintain this status, all installation, maintenance, and repair is to be done by qualified personnel using only Nederman original spare parts and accessories. Contact the nearest authorized distributor or Nederman for advice on technical service and obtaining spare parts. If there are any damaged or missing parts when the product is delivered, notify the carrier and the local Nederman representative immediately.


2 Safety

2.1 Classification of important information

This document contains important information that is presented either as a warning, caution or note, according to the following examples:

 **WARNING! Risk of personal injury**
Warnings indicate a potential hazard to the health and safety of personnel, and how that hazard may be avoided.

 **CAUTION! Risk of equipment damage**
Cautions indicate a potential hazard to the product but not to personnel, and how that hazard may be avoided.


 **NOTE!**
Notes contain other information that is important for personnel.

3 Description

N16/24/27/29/40 are centrifugal fans mainly designed for use with Nederman extraction products and ideal as an extractor for welding fumes, steam, dust or for providing fresh air during work in confined and enclosed spaces. Compact and easy-to-use fans for both indoor and outdoor use.

3.1 Measurements

See [Figure 1](#) to [Figure 3](#).

 **NOTE!**
Measurements may differ due to updated motors.

3.2 Pressure drop diagrams

See [Figure 9](#) to [Figure 12](#).

- A Total pressure
- B Static pressure
- C Total pressure (1,1 kW, 1.5 hp)
- D Static pressure (1,1 kW, 1.5 hp)
- E Total pressure (1,5 kW, 2.0 hp)
- F Static pressure (1,5 kW, 2.0 hp)
- G Total pressure (2,2 kW, 3.0 hp)
- H Static pressure (2,2 kW, 3.0 hp)

3.3 Technical data

| Technical data | |
|---------------------|----------------------------------|
| Motor power | See product label |
| Motor speed | See motor label |
| Voltage/Phase | See motor label |
| Frequency | See product label |
| Rated current | See motor label |
| Temperature | -30°C to +40°C (-22°F to +104°F) |
| Airflow temperature | max +60°C (+140°F) |

Technical data

| | |
|------------------|-----------------------------|
| Protection class | IP55 |
| Recycling | 95 % of weight |
| Capacity: | |
| • N16, 0.55 kW | 400-1250 m ³ /h* |
| • N24, 0.75 kW | 400-1500 m ³ /h* |
| • N24, 0.9 kW | 400-1750 m ³ /h* |
| • N27, 1.1 kW | 500-1400 m ³ /h* |
| • N27, 1.5 kW | 500-1950 m ³ /h* |
| • N29, 1.5 kW | 500-1500 m ³ /h* |
| • N29, 2.2 kW | 500-3000 m ³ /h* |
| • N40, 1.5 kW | 500-2500 m ³ /h* |
| • N40, 2.2 kW | 500-4000 m ³ /h* |
| Weight: | |
| • N16 | 13 kg (29 lbs) |
| • N24 | 17 kg (37 lbs) |
| • N27 | 17 kg (37 lbs) |
| • N29, 1.5 kW | 28 kg (62 lbs) |
| • N29, 2.2 kW | 32 kg (71 lbs) |
| • N40, 1.5 kW | 25 kg (55 lbs) |
| • N40, 2.2 kW | 29 kg (64 lbs) |
| Noise level: * | |
| • N 16 | 74-76 dB(A) |
| • N 24 | 75-79 dB(A) |
| • N 27 | 75-79 dB(A) |
| • N 29 | 70-80 dB(A) |
| • N 40 | 60-80 dB(A) |

* According to ISO 11203, with duct connected to inlet and outlet.

4 Installation

4.1 Mounting instruction N16/24/27/29/40

⚠ WARNING! Risk of explosion
The fan must not be installed in an environment with a danger of explosion or be used for transporting inflammable or explosive dust or gases.

⚠ WARNING! Risk of personal injury

- Guard nets must be mounted on the inlet and outlet of the fan, unless the fan is fixed mounted and directly connected to the ducting system, see [Figure 4](#).
- A duct or a hose must always be fitted on the N40 fan inlet, see [Figure 5](#).

Ensure the fan unit has not been damaged during transport.

Fans without stands are designed to be mounted directly on other Nederman products.

If the fan is fitted to withstand on a wall or in the ceiling, vibration secured fixing bolts suitable for the wall or ceiling material are to be used. The bolts must each stand a torque force of minimum 800 N.

If the fan is to be used indoors and is not mounted on another Nederman product, it is to be mounted as near the outlet in the room as possible, in order to give under pressure in the ductwork.

i NOTE!
The exhaust air duct should be routed straight and as short as possible. Pressure drop for the complete system shall be considered by the installation designer or the user.

4.2 Electrical installation

⚠ WARNING! Risk of personal injury
All electrical work must be done by a qualified electrician according to local regulations.

Check that the mains voltage is the same as on the fan's sign plate. Then connect the fan according to the wiring diagram in the fan's junction box. It is recommended to supply the fan with a lockable safety switch on the mains connection cable. A motor overload protector is always to be included in the electrical installation.

Variable speed drive is not possible on 1-phase fans with standard motors. For 3-phase fans, a frequency converter can be used (max. frequency = rated frequency).

5 Use

5.1 Starting instructions

⚠ WARNING! Risk of personal injury

- The fan must not be used without ductwork connected unless the in- and outlet are equipped with approved guard nets.
- Ear protectors are to be used when working near the fan.

Check the cable connections for tightness.

Check the earthing of the electric motor.

Start the fan and check that it operates without any excessive vibration and noise.

i NOTE!
On 3-phase fans it is recommended to check that the motor shaft rotates in the right direction (see rotation arrow on the motor). If the shaft rotates in the wrong direction, two of the connection cable conductors must be reversed. See [Figure 6](#).

5.2 Outdoor use / Draining

If the fan is to be used without any protection outdoors or under other circumstances where moisture and condensation can be present, it must be checked that the motor is provided with draining holes. Make sure these holes are open. In the lowest level in one of the fan casings, a draining hole must be drilled (approx. Ø 5 mm), see [Figure 8](#). Then treat the hole with an anti-corrosive agent.

If the motor is not provided with draining holes the fan must be protected with a suitable cover.

i NOTE!
Cable should have a loop and the cable gland is recommended with protection class IP 68. See [Figure 7](#).

6 Maintenance

⚠ WARNING! Risk of personal injury

- Always disconnect the fan motor from mains with the isolator before starting any maintenance or repair work.
- Always use a breathing mask when repairing and servicing the system.

Installation, repair and maintenance work is to be carried out by qualified personnel using only original Nederman spare parts. Contact your nearest authorized distributor or Nederman for advice on technical service.

i NOTE!
The service intervals in this chapter are based on the unit being professionally maintained.

Maintenance is recommended at least once a year.

- Listen for noise and touch the fan casings with the hand and notice if the fan vibrates in an abnormal way. If necessary, disconnect the fan from mains, dismount the fan and clean the impeller (not possible on N29 fan). Use a breathing mask.
- Check the fan's suction capacity. On 3-phase fans, check that the motor shaft rotates in the right direction. Check that the ducts are not blocked. Clean if necessary (use a breathing mask).
- Check the electrical installation.
- Check that the mains connection cable is not worn or damaged.
- If the fan has been mounted withstand on a wall or in the ceiling, check the fitting.
- Check and tighten any loose duct connections.
- Check that the guard nets are in position.

7 Spare Parts



CAUTION! Risk of equipment damage

Use only Nederman original spare parts and accessories.

Contact your nearest authorized distributor or Nederman for advice on technical service or if you require help with spare parts. See also www.nederman.com.

7.1 Ordering spare parts

When ordering spare parts always state the following:

- The part number and control number (see the product identification plate).
- Detail number and name of the spare part (see www.nederman.com/en/service/spare-part-search).
- Quantity of the parts required.

8 Recycling

The product has been designed for component materials to be recycled. Different material types must be handled according to relevant local regulations. Contact the distributor or Nederman if uncertainties arise when scrapping the product at the end of its service life.

Obsah

| | |
|---|----|
| Figurky | 7 |
| 1 Úvod | 22 |
| 2 Bezpečnost | 22 |
| 2.1 Klasifikace důležitých informací | 22 |
| 3 Popis | 22 |
| 3.1 Měření | 22 |
| 3.2 Diagramy tlakové ztráty | 22 |
| 3.3 Technické údaje | 22 |
| 4 Instalace | 24 |
| 4.1 Montážní pokyny N16/24/27/29/40 | 24 |
| 4.2 Elektrická instalace | 24 |
| 5 Použití | 24 |
| 5.1 Pokyny pro spouštění | 24 |
| 5.2 Použití ve venkovním prostředí / drenáž | 24 |
| 6 Údržba | 24 |
| 7 Náhradní díly | 25 |
| 7.1 Objednávání náhradních součástí | 25 |
| 8 Recyklace | 25 |

1 Úvod

Děkujeme, že používáte produkt Nederman!

Skupina Nederman je předním světovým dodavatelem a vývojářem produktů a řešení pro odvětví environmentálních technologií. Naše inovativní produkty budou filtrovat, čistit a recyklovat v těch nejnáročnějších prostředích. Produkty a řešení společnosti Nederman vám pomohou zlepšit vaši produktivitu, snížit náklady a také snížit dopad průmyslových procesů na životní prostředí.

Před instalací, použitím a údržbou tohoto výrobku si pečlivě přečtěte veškerou dokumentaci k výrobku a identifikační štítek výrobku. Pokud dojde ke ztrátě dokumentace, je třeba ji ihned nahradit. Společnost Nederman si vyhrazuje právo upravovat a vylepšovat své výrobky včetně dokumentace bez předchozího upozornění.

Tento produkt je navržen tak, aby splňoval požadavky odpovídajících směrnic EU. Pro zachování stavu musí být všechny montážní práce, údržba a opravy provedeny pouze kvalifikovaným personálem za pomoci originálních náhradních součástí a příslušenství od společnosti Nederman. Potřebujete-li jakoukoliv technickou radu ohledně údržby nebo získání náhradních součástí, kontaktujte svého nejbližšího autorizovaného prodejce společnosti Nederman. Pokud jsou některé součásti při dodání poškozeny nebo ztraceny, informujte přepravce a místního zástupce společnosti Nederman.

2 Bezpečnost

2.1 Klasifikace důležitých informací

Tento dokument obsahuje důležité informace, které jsou vyjádřeny formou výstrahy, upozornění nebo poznámky. Příklady viz níže:



VAROVÁNÍ! Riziko poranění osob.

Varování upozorňují na možné riziko ohrožující zdraví a bezpečnost osob a na způsob, jak se lze těchto rizik vyvarovat.



POZOR! Nebezpečí poškození zařízení

Varování zdůrazňují případná rizika poškození zařízení, ne osob a jak se těmto rizikům vyvarovat.



POZNÁMKA!

Poznámky obsahují další informace důležité pro personál.

3 Popis

N16/24/27/29/40 jsou odstředivé ventilátory určené primárně pro použití s odsávacími jednotkami Nederman. Jsou ideální k odsávání zplodin, výparů, prachu nebo k zajištění čerstvého vzduchu při práci ve stísněných a uzavřených prostorách. Kompaktní a snadno použitelné ventilátory pro vnitřní i venkovní použití.

3.1 Měření

Viz [Obrázek 1](#) až [Obrázek 3](#).



POZNÁMKA!

Měření se mohou lišit v důsledku modernizace motorů.

3.2 Diagramy tlakové ztráty

Viz [Obrázek 9](#) až [Obrázek 12](#).

- A Celkový tlak
- B Statický tlak
- C Celkový tlak (1,1 kW, 1.5 hp)
- D Statický tlak (1,1 kW, 1.5 hp)
- E Celkový tlak (1,5 kW, 2.0 hp)
- F Statický tlak (1,5 kW, 2.0 hp)
- G Celkový tlak (2,2 kW, 3.0 hp)
- H Statický tlak (2,2 kW, 3.0 hp)

3.3 Technické údaje

| Technické údaje | |
|-----------------|----------------------------------|
| Výkon motoru | Viz typový štítek |
| Otáčky motoru | Viz štítek motoru |
| Napětí / fáze | Viz štítek motoru |
| Frekvence | Viz typový štítek |
| Jmenovitý proud | Viz štítek motoru |
| Teplota | -30°C až +40°C (-22°F až +104°F) |

| Technické údaje | |
|------------------------|-----------------------------|
| Teplota proudu vzduchu | Max. +60°C (+140°F) |
| Třída ochrany | IP55 |
| Recyklace | 95 % hmotnosti |
| Kapacita: | |
| • N16, 0.55 kW | 400-1250 m ³ /h* |
| • N24, 0.75 kW | 400-1500 m ³ /h* |
| • N24, 0.9 kW | 400-1750 m ³ /h* |
| • N27, 1.1 kW | 500-1400 m ³ /h* |
| • N27, 1.5 kW | 500-1950 m ³ /h* |
| • N29, 1.5 kW | 500-1500 m ³ /h* |
| • N29, 2.2 kW | 500-3000 m ³ /h* |
| • N40, 1.5 kW | 500-2500 m ³ /h* |
| • N40, 2.2 kW | 500-4000 m ³ /h* |
| Hmotnost: | |
| • N16 | 13 kg (29 lbs) |
| • N24 | 17 kg (37 lbs) |
| • N27 | 17 kg (37 lbs) |
| • N29, 1.5 kW | 28 kg (62 lbs) |
| • N29, 2.2 kW | 32 kg (71 lbs) |
| • N40, 1.5 kW | 25 kg (55 lbs) |
| • N40, 2.2 kW | 29 kg (64 lbs) |
| Hladina hluku:** | |
| • N 16 | 74-76 dB(A) |
| • N 24 | 75-79 dB(A) |
| • N 27 | 75-79 dB(A) |
| • N 29 | 70-80 dB(A) |
| • N 40 | 60-80 dB(A) |

4 Instalace

4.1 Montážní pokyny N16/24/27/29/40



VAROVÁNÍ! Riziko výbuchu

Ventilátor nesmí být instalován v prostředí, kde hrozí nebezpečí výbuchu, ani nesmí být použit v systému určeném pro přepravu hořlavých nebo výbušných plynů nebo prachů.



VAROVÁNÍ! Riziko poranění osob.

- Ochranné sítě musí být upevněny na vstupu a výstupu ventilátoru, pokud je ventilátor namontován pevně a přímo spojen se systémem kanálu, viz [Obrázek 4](#).
- Kanál nebo hadice musí být vždy upevněny na vstupu ventilátoru N40, viz [Obrázek 5](#).

Zajistěte, aby se jednotka ventilátoru během přepravy nepoškodila.

Ventilátory bez stojanu jsou navrženy tak, aby je bylo možné namontovat přímo na jiné výrobky společnosti Nederman.

Pokud je ventilátor upevněn pomocí stojanu na stěnu nebo strop, musí být použity upevňovací šrouby zajištěné proti vibracím, vhodné pro materiál stěny nebo stropu. Šrouby musí vydržet moment síly minimálně 800 N.

Pokud se ventilátor bude používat ve vnitřních prostorech a není upevněn na jiný výrobek společnosti Nederman, je nutné jej upevnit co nejbližší k výstupu v místnosti, aby bylo možné udržet v kanálu tlak.



POZNÁMKA!

Odsávací vzduchové potrubí by mělo být vedeno rovně a co nejkratší cestou. Pokles tlaku pro celý systém musí zvážit projektant instalace nebo uživatel.

4.2 Elektrická instalace



VAROVÁNÍ! Riziko poranění osob.

Všechna elektrická vedení musí být připojena kvalifikovaným elektrotechnikem v souladu s místními předpisy.

Zkontrolujte, zda je napájecí napětí stejné, jako je hodnota uvedená na typovém štítku ventilátoru. Pak připojte ventilátor podle schématu elektrického zapojení do spojovací skříňky. Doporučuje se opatřit ventilátor uzamykatelným bezpečnostním spínačem, připojeným na napájecí kabel. Ochrana před přetížením motoru by vždy měla být součástí elektrické instalace.

Pohon s proměnnými otáčkami není možný v případě 1fázových ventilátorů se standardními motory. Pro 3fázové ventilátory lze použít frekvenční měnič (maximální frekvence = jmenovitá frekvence).

5 Použití

5.1 Pokyny pro spouštění



VAROVÁNÍ! Riziko poranění osob.

- Ventilátor nesmí být používán bez připojených kanálů, pokud není jeho vstup a výstup opatřen schválenými ochrannými sítěmi.
- Při práci v blízkosti ventilátoru byste měli používat chrániče sluchu.

Zkontrolujte, zda jsou kabelová spojení dostatečně dotažená.

Zkontrolujte uzemnění elektromotoru.

Spusťte ventilátor a zkontrolujte, zda pracuje bez nadměrných vibrací a hluku.



POZNÁMKA!

U 3fázových ventilátorů se doporučuje zkontrolovat, zda se hřídel motoru otáčí ve správném směru (viz šipka směru otáčení na motoru). Pokud se hřídel otáčí v nesprávném směru, je nutné přepojit dva z napájecích vodičů. Viz [Obrázek 6](#)

5.2 Použití ve venkovním prostředí / drenáž

Pokud bude ventilátor používán bez ochrany ve venkovním prostředí nebo za jiných okolností, kdy by do něj mohla pronikat vlhkost nebo vznikat kondenzace, musí být provedena kontrola, zda je motor opatřen drenážními otvory. Zkontrolujte, zda jsou tyto otvory volně průchodné. V nejnižším místě jednoho vnějšího krytu ventilátoru je nutné vyvrtat drenážní otvor (asi Ø5 mm), viz [Obrázek 8](#). Poté otvor ošetřete antikorozním prostředkem.

Pak je nutné tento otvor opatřit protikorozní ochranou. Pokud motor není opatřen drenážními otvory, musí být ventilátor chráněn vhodným krytem.



POZNÁMKA!

Kabel by měl mít smyčku a doporučuje se kabelová průchodka s třídou ochrany IP 68. Viz [Obrázek 7](#).

6 Údržba



VAROVÁNÍ! Riziko poranění osob.

- Před započítím jakýchkoliv prací na údržbě nebo opravě vždy odpojte motor ventilátoru od síťového napájení pomocí oddělovacího spínače.
- Při opravě nebo servisním zásahu na systému používejte vždy dýchací masku.

Je třeba, aby byly instalace, opravy i údržby prováděny kvalifikovanými pracovníky za použití originálních dílů společnosti Nederman. Kontaktujte vašeho nejbliž-

šího autorizovaného distributora nebo společnost Nederman pro radu a technický servis.



POZNÁMKA!

Servisní intervaly udané v této kapitole jsou založeny na předpokladu, že je jednotka profesionálně udržována.

Údržba se doporučuje alespoň jednou ročně

- Poslouchejte zvuk a dotkněte se skříně ventilátoru rukou, zda zaznamenáte nějaké neobvyklé vibrace ventilátoru. V případě potřeby odpojte ventilátor od síťového napájení, demontujte ventilátor a vyčistěte oběžné kolo (toto není možné u ventilátoru řady N29). Používejte dýchací masku.
- Zkontrolujte odsávací kapacitu ventilátoru. U 3fázových ventilátorů zkontrolujte, zda se motor otáčí správným směrem. Zkontrolujte, zda není ucpaný kanál. V případě potřeby jej vyčistěte. Používejte dýchací masku.
- Zkontrolujte elektrickou instalaci.
- Zkontrolujte, zda připojovací napájecí kabel není opotřebovaný nebo poškozený.
- Pokud byl ventilátor upevněn pomocí stojanu na zdi nebo stropu, zkontrolujte upevnění.
- Zkontrolujte a dotáhněte všechna uvolněná přípojení kanálu.
- Zkontrolujte, zda jsou řádně namontované ochranné sítě.

7 Náhradní díly



POZOR! Nebezpečí poškození zařízení

Používejte pouze originální náhradní díly a příslušenství Nederman.

S dotazy ohledně servisu nebo náhradních dílů se obraťte na nejbližšího autorizovaného prodejce nebo na společnost Nederman. Viz také www.nederman.com.

7.1 Objednávání náhradních součástí

Při objednávání náhradních dílů uvádějte vždy následující:

- číslo dílu- a kontrolní číslo (viz identifikační štítek výrobku).
- Přesné číslo a název náhradního dílu (viz www.nederman.com/en/service/spare-part-search).
- Množství požadovaných dílů.

8 Recyklace

Výrobek byl vyroben tak, aby se materiály v něm obsažené daly recyklovat. S různými typy materiálů je třeba nakládat dle platných místních předpisů. V případě dotazů při likvidaci výrobku po době jeho životnosti kontaktujte prodejce nebo společnost Nederman.

Indholdsfortegnelse

| | |
|---|----|
| Figurer | 7 |
| 1 Forord | 27 |
| 2 Sikkerhed | 27 |
| 2.1 Klassificering af vigtige oplysninger | 27 |
| 3 Beskrivelse | 27 |
| 3.1 Værdier | 27 |
| 3.2 Trykfalds-kurver | 27 |
| 3.3 Tekniske data | 27 |
| 4 Installation | 29 |
| 4.1 Monteringsvejledning N16/24/27/29/40 | 29 |
| 4.2 Elektrisk installation | 29 |
| 5 Anvendelse | 29 |
| 5.1 Startvejledning | 29 |
| 5.2 Udendørs brug / dræning | 29 |
| 6 Vedligeholdelse | 29 |
| 7 Reservdele | 30 |
| 7.1 Bestilling af reservedele | 30 |
| 8 Genbrug | 30 |

1 Forord

Tak, fordi du har valgt et Nederman-produkt!

Nederman Group er en af verdens førende leverandører og udviklere af produkter og løsninger til miljøteknologisektoren. Vores innovative produkter sørger for filtrering, rensning og genvinding i de mest krævende miljøer. Nedermans produkter og løsninger hjælper dig med at øge produktiviteten, nedbringe omkostningerne og reducere miljøpåvirkningen fra industrielle processer.


Læs al produktdokumentation og produktets typeskilt omhyggeligt før installation, brug og servicering af dette produkt. Sørg for at genanskaffe dokumentationen, hvis den bliver væk. Nederman forbeholder sig retten til at modificere og forbedre sine produkter, herunder dokumentationen, uden forudgående varsel.

Dette produkt er konstrueret til at opfylde kravene i de relevante EU-direktiver. For at opretholde denne status skal alt arbejde i forbindelse med installation, reparation og vedligeholdelse udføres af uddannet personale, og der må kun anvendes originale reservedele og originalt tilbehør fra Nederman. Kontakt nærmeste autoriserede forhandler eller Nederman for at få råd om teknisk service og anskaffelse af reservedele. Hvis produktet leveres med defekte eller manglende dele, skal speditøren og den lokale Nederman-repræsentant straks orienteres herom.

2 Sikkerhed

2.1 Klassificering af vigtige oplysninger

Dette dokument indeholder vigtige oplysninger, der vises som enten en advarsel, en forsigtighedsregel eller en bemærkning. Se de følgende eksempler:

 **ADVARSEL! Risiko for personskade**
Advarsler angiver, at personalets sundhed og sikkerhed udsættes for en potentiel fare, og hvordan faren kan undgås.

 **FORSIGTIG! Risiko for beskadigelse af udstyr**
Forsigtighedsregler angiver, at produktet, men ikke personalet, udsættes for en potentiel fare, og hvordan faren kan undgås.


 **BEMÆRK!**
Noter indeholder andre oplysninger, som brugeren skal være specielt opmærksom på.

3 Beskrivelse

N16/24/27/29/40 er centrifugal-ventilatorer, der hovedsagelig er konstrueret til brug sammen med Nederman udsugningsprodukter og ideelle til udsugning af svejserøg, damp, støv eller til at tilføre frisk luft under arbejdet i små og lukkede rum. Kompakte og brugervenlige ventilatorer til både indendørs og uden-dørs brug.

3.1 Værdier

Se [Figur 1](#) til [Figur 3](#).

 **BEMÆRK!**
Værdierne kan variere på grund af opdaterede motorer.

3.2 Trykfalds-kurver

Se [Figur 9](#) til [Figur 12](#).

- A Totalt tryk
- B Statisk tryk
- C Totalt tryk (1,1 kW, 1.5 hp)
- D Statisk tryk (1,1 kW, 1.5 hp)
- E Totalt tryk (1,5 kW, 2.0 hp)
- F Statisk tryk (1,5 kW, 2.0 hp)
- G Totalt tryk (2,2 kW, 3.0 hp)
- H Statisk tryk (2,2 kW, 3.0 hp)

3.3 Tekniske data

| Tekniske data | |
|----------------|------------------------------------|
| Motoreffekt | Se produktetiket |
| Motorhastighed | Se motormærkat |
| Spænding/Fase | Se motormærkat |
| Frekvens | Se produktetiket |
| Nominal strøm | Se motormærkat |
| Temperatur | -30°C til +40°C (-22°F til +104°F) |

| Tekniske data | |
|----------------------|-----------------------------|
| Luftstrømstemperatur | max +60°C (+140°F) |
| Beskyttelsesklasse | IP55 |
| Genbrug | 95 % af vægten |
| Kapacitet | |
| • N16, 0.55 kW | 400-1250 m ³ /h* |
| • N24, 0.75 kW | 400-1500 m ³ /h* |
| • N24, 0.9 kW | 400-1750 m ³ /h* |
| • N27, 1.1 kW | 500-1400 m ³ /h* |
| • N27, 1.5 kW | 500-1950 m ³ /h* |
| • N29, 1.5 kW | 500-1500 m ³ /h* |
| • N29, 2.2 kW | 500-3000 m ³ /h* |
| • N40, 1.5 kW | 500-2500 m ³ /h* |
| • N40, 2.2 kW | 500-4000 m ³ /h* |
| Vægt: | |
| • N16 | 13 kg (29 lbs) |
| • N24 | 17 kg (37 lbs) |
| • N27 | 17 kg (37 lbs) |
| • N29, 1.5 kW | 28 kg (62 lbs) |
| • N29, 2.2 kW | 32 kg (71 lbs) |
| • N40, 1.5 kW | 25 kg (55 lbs) |
| • N40, 2.2 kW | 29 kg (64 lbs) |
| Støjniveau:** | |
| • N 16 | 74-76 dB(A) |
| • N 24 | 75-79 dB(A) |
| • N 27 | 75-79 dB(A) |
| • N 29 | 70-80 dB(A) |
| • N 40 | 60-80 dB(A) |

4 Installation

4.1 Monteringsvejledning N16/24/27/29/40



ADVARSEL! Risiko for eksplosion

Ventilatoren må ikke installeres i et miljø med eksplosionsfare eller bruges til transport af brændbart eller eksplosivt støv eller gasser.



ADVARSEL! Risiko for personskade

- Der skal monteres beskyttelsesnet på ventilatorens indløb og udløb, medmindre ventilatoren er fast monteret og direkte forbundet med rørsystemet, se [Figur 4](#).
- Der skal altid monteres et rør eller en slange på N40-ventilatorindløbet, se [Figur 5](#).

Sørg for, at ventilatorenheden ikke er blevet beskadiget under transport.

Ventilatorer uden stativ er konstrueret til montering direkte på andre Nederman produkter.

Hvis ventilatoren monteres med stativ på en væg eller i loftet, skal der anvendes vibrations sikre monteringsbolte, som er egnet til væg- eller loftsmaterialet. Alle boltene skal kunne klare et drejningsmoment på mindst 800 N.

Hvis ventilatoren skal bruges indendørs og ikke monteres på et andet Nederman produkt, skal den monteres så tæt på udløbet i rummet som muligt for at skabe undertryk i rørsystemet.



BEMÆRK!

Udsugningsluftkanalen skal trækkes så lige og kort som muligt. Tryktab for komplet system skal tages i betragtning af installationsdesigneren eller brugeren.

4.2 Elektrisk installation



ADVARSEL! Risiko for personskade

Alt el-arbejde skal udføres af en autoriseret elektriker og i henhold til lokale bestemmelser.

Kontroller, at netspændingen er den samme som på ventilatorens skilt. Tilslut derefter ventilatoren i henhold til ledningsdiagrammet i ventilatorens samledåse. Det anbefales at forsyne ventilatoren med en aflåselig sikkerhedskontakt på strømforsyningskablet. En motoroverbelastningssikring skal altid indgå i den elektriske installation.

Variabelt hastighedsdrev er ikke muligt på enkeltfasede ventilatorer med standardmotorer. Til 3-faset ventilatorer kan der anvendes en frekvensomformer (maks. frekvens = nominel frekvens).

5 Anvendelse

5.1 Startvejledning



ADVARSEL! Risiko for personskade

- Ventilatoren må ikke bruges uden tilsluttet kanal, medmindre ind- og udgangen er udstyret med godkendte beskyttelsesnet.
- Der skal anvendes høreværn, når der arbejdes i nærheden af ventilatoren.

Kontroller, at kabeltilslutningerne sidder fast.

Kontroller elmotorens jordforbindelse.

Start ventilatoren og kontroller, at den fungerer uden kraftige vibrationer og støj.



BEMÆRK!

På 3-faset ventilatorer anbefales det at kontrollere, at motorakslen roterer i den rigtige retning (se rotationspil på motoren). Hvis akslen roterer i den forkerte retning, skal to af forbindelserne til kablederne vendes. Se [Figur 6](#).

5.2 Udendørs brug / dræning

Hvis ventilatoren skal anvendes udendørs uden beskyttelse eller under andre omstændigheder, hvor der kan være fugt og kondens, skal det kontrolleres, at motoren har drænhuller. Sørg for, at disse huller er åbne. Der skal bores et drænhul (ca. Ø 5 mm) nederst i et af ventilatorhusene, se [Figur 8](#). Derefter skal hullet behandles med et rustmiddel.

Hvis motoren ikke har drænhuller, skal ventilatoren beskyttes med et passende dæksel.



BEMÆRK!

Kablet skal have en løkke, og der anbefales kabelforskrutninger af beskyttelsesklasse IP 68. Se [Figur 7](#).

6 Vedligeholdelse



ADVARSEL! Risiko for personskade

- Afbryd altid ventilatormotoren fra strømforsyningen med isolatoren, før du starter vedligeholdelses- eller reparationsarbejde.
- Brug altid en åndedrætsmaske, når du reparerer og servicerer systemet.

Installation, reparation og vedligeholdelse skal udføres af uddannet personale, og der må kun anvendes originale reservedele fra Nederman. Kontakt din nærmeste forhandler eller Nederman for råd om teknisk service.



BEMÆRK!

Service intervallerne i dette kapitel er baseret på, at enheden vedligeholdes professionelt.

Det anbefales at foretage et eftersyn mindst én gang årligt.

- Lyt efter støj. Rør ved ventilatorhusene med hånden og læg mærke til, om ventilatoren vibrerer på en unormal måde. Afbryd ventilatoren fra strømforsyningen, afmonter ventilatoren og rengør ventilatorhjulet (ikke muligt på N29-ventilatoren), hvis det er nødvendigt. Brug en åndedrætsmaske.
- Kontroller ventilatorens sugeevne. På 3-faset ventilatorer skal du kontrollere, at motorakslen roterer i den rigtige retning. Kontroller, at rørene ikke er blokerede. Rengør om nødvendigt (brug en åndedrætsmaske).
- Kontroller den elektriske installation.
- Kontroller, at strømforsyningskablet ikke er slidt eller beskadiget.
- Hvis ventilatoren er monteret med stativ på en væg eller i loftet, skal du kontrollere monteringen.
- Kontroller og stram eventuelle løse rørforbindelser.
- Kontroller, at beskyttelsesnettene sidder korrekt.

7 Reservedele



FORSIGTIG! Risiko for beskadigelse af udstyr

Brug kun originale reservedele og tilbehør fra Nederman.

Kontakt din nærmeste autoriserede forhandler eller Nederman for at få råd om teknisk service, eller hvis du har brug for hjælp til reservedele. Se også www.nederman.com.

7.1 Bestilling af reservedele

Ved bestilling af reservedele skal der altid oplyses følgende:

- Reservedels- og kontrolnummer (se produktets typeskilt).
- Reservedelens specifikke nummer og navn (se www.nederman.com/en/service/spare-part-search).
- Antallet af reservedele.

8 Genbrug

Produktet er designet til komponentmaterialer, der kan genanvendes. Forskellige materialetyper skal håndteres i henhold til relevante lokale regler. Kontakt distributøren eller Nederman, hvis der opstår usikkerhed ved opbrugning af produktet i slutningen af dets levetid.

Inhaltsverzeichnis

| | |
|---|----|
| Abbildungen | 7 |
| 1 Vorwort | 32 |
| 2 Sicherheit | 32 |
| 2.1 Klassifizierung wichtiger Informationen | 32 |
| 3 Beschreibung | 32 |
| 3.1 Abmessungen | 32 |
| 3.2 Diagramme zum Druckabfall | 32 |
| 3.3 Technische Daten | 32 |
| 4 Installation | 34 |
| 4.1 Montageanleitung N16/24/27/29/40 | 34 |
| 4.2 Elektrische Installation | 34 |
| 5 Bedienung | 34 |
| 5.1 Startanleitungen | 34 |
| 5.2 Betrieb im Freien / Entleerung | 34 |
| 6 Wartung | 35 |
| 7 Ersatzteile | 35 |
| 7.1 Bestellung von Ersatzteilen | 35 |
| 8 Entsorgung | 35 |

1 Vorwort

Danke, dass Sie ein Nederman-Produkt verwenden!

Die Nederman-Gruppe ist ein weltweit führender Anbieter und Entwickler von Produkten und Lösungen für den Umwelttechnologiesektor. Unsere innovativen Produkte filtern, reinigen und recyceln auch in den anspruchsvollsten Umgebungen. Die Produkte und Lösungen von Nederman helfen Ihnen, Ihre Produktivität zu verbessern, Kosten zu senken und auch die Auswirkungen industrieller Prozesse auf die Umwelt zu reduzieren.

Lesen Sie vor Installation, Benutzung und Wartung dieses Produkts sämtliche Produktdokumentation sowie das Typenschild für dieses Produkt. Bei einem Verlust muss die Dokumentation sofort ersetzt werden. Nederman behält sich das Recht vor, Produkte und Dokumentation ohne vorherige Ankündigung zu ändern.

Dieses Produkt erfüllt die Anforderungen der einschlägigen EU-Richtlinien. Um diesen Status zu wahren, müssen sämtliche Installations-, Wartungs- und Instandsetzungsarbeiten von qualifiziertem Personal und ausschließlich mit Original-Ersatzteilen durchgeführt werden. Wenden Sie sich für Hilfestellung zu technischem Service und für Ersatzteile bitte an Ihren Fachhändler oder direkt an Nederman. Wenn Sie bei Anlieferung des Produktes feststellen, dass Teile beschädigt sind oder fehlen, informieren Sie bitte die Spedition und Ihre Nederman Niederlassung vor Ort.

2 Sicherheit

2.1 Klassifizierung wichtiger Informationen

Dieses Dokument enthält wichtige Informationen, die in Form von Warnungen und Hinweisen gegeben werden:

⚠️ WARNUNG! Verletzungsgefahr
Warnungen weisen auf eine mögliche Gefahr für die Gesundheit und die Sicherheit der Benutzer sowie auf die Gefahrenvermeidung hin.

3.3 Technische Daten

| Technische Daten | |
|-------------------|------------------------------|
| Motorleistung | Siehe Produkt-Typenschild |
| Drehzahl | Siehe Typenschild des Motors |
| Spannung / Phasen | Siehe Typenschild des Motors |
| Frequenz | Siehe Produkt-Typenschild |
| Nennstrom | Siehe Typenschild des Motors |

⚠️ VORSICHT! Gefahr der Anlagenbeschädigung
Vorsichtshinweise kennzeichnen eine mögliche Gefahr für das Produkt, jedoch nicht für das Personal, und enthalten Informationen zur Gefahrenvermeidung.

ⓘ BEACHTEN!
Hinweise enthalten wichtige Informationen für die Mitarbeiter.

3 Beschreibung

N16/24/27/29/40 sind Zentrifugalventilatoren, die hauptsächlich für den Einsatz mit Nederman Produkten zur Absaugung ausgelegt sind. Sie eignen sich ideal zum Absaugen von Schweißrauch, Dampf und Staub oder für die Frischluftzufuhr bei Arbeiten in engen und geschlossenen Räumen. Kompakte und einfach zu bedienende Ventilatoren für den Innen- und Außenbereich.

3.1 Abmessungen

Siehe [Abbildung 1](#) bis [Abbildung 3](#).

ⓘ BEACHTEN!
Die Abmessungen können wegen aktualisierter Motoren abweichen.

3.2 Diagramme zum Druckabfall

Siehe [Abbildung 9](#) bis [Abbildung 12](#).

- A Gesamtdruck
- B Statischer Druck
- C Gesamtdruck (1,1 kW, 1.5 hp)
- D Statischer Druck (1,1 kW, 1.5 hp)
- E Gesamtdruck (1,5 kW, 2.0 hp)
- F Statischer Druck (1,5 kW, 2.0 hp)
- G Gesamtdruck (2,2 kW, 3.0 hp)
- H Statischer Druck (2,2 kW, 3.0 hp)

| Technische Daten | |
|---------------------|------------------------------------|
| Temperatur | -30°C bis +40°C (-22°F bis +104°F) |
| Luftstromtemperatur | Max. +60°C (+140°F) |
| Schutzklasse | IP55 |
| Entsorgung | 95 % des Gewichts |
| Kapazität: | |
| • N16, 0.55 kW | 400-1250 m ³ /h* |
| • N24, 0.75 kW | 400-1500 m ³ /h* |
| • N24, 0.9 kW | 400-1750 m ³ /h* |
| • N27, 1.1 kW | 500-1400 m ³ /h* |
| • N27, 1.5 kW | 500-1950 m ³ /h* |
| • N29, 1.5 kW | 500-1500 m ³ /h* |
| • N29, 2.2 kW | 500-3000 m ³ /h* |
| • N40, 1.5 kW | 500-2500 m ³ /h* |
| • N40, 2.2 kW | 500-4000 m ³ /h* |
| Gewicht: | |
| • N16 | 13 kg (29 lbs) |
| • N24 | 17 kg (37 lbs) |
| • N27 | 17 kg (37 lbs) |
| • N29, 1.5 kW | 28 kg (62 lbs) |
| • N29, 2.2 kW | 32 kg (71 lbs) |
| • N40, 1.5 kW | 25 kg (55 lbs) |
| • N40, 2.2 kW | 29 kg (64 lbs) |
| Geräuschpegel:** | |
| • N 16 | 74-76 dB(A) |
| • N 24 | 75-79 dB(A) |
| • N 27 | 75-79 dB(A) |
| • N 29 | 70-80 dB(A) |

Technische Daten

• N 40

60-80 dB(A)

4 Installation

DE

4.1 Montageanleitung N16/24/27/29/40


WARNUNG! Explosionsgefahr

Der Ventilator darf nicht an einem Ort installiert werden, an dem Explosionsgefahr besteht, oder zur Absaugung entflammbarer oder explosiver Staube/Gase eingesetzt werden.


WARNUNG! Verletzungsgefahr

- Schutzgitter am Ventilator Einlass und Auslass montieren, wenn der Ventilator nicht fest montiert und direkt an das Kanalsystem angeschlossen ist, siehe Abbildung [Abbildung 4](#).
- Für Ventilator N40, immer sicherstellen, daß saugseitig ein Schlauch oder ein Rohrleitung angeschlossen ist, siehe [Abbildung 5](#).

Kontrollieren auf Transportschäden.

Ventilatoren ohne Rohrgestell sind für die Direktmontage an andere Nederman-Produkte vorgesehen.

Ist der Ventilator mit einem Rohrgestell an der Wand oder in der Decke ausgerüstet, vibrationsfeste Schrauben und Muttern passend zu Wand oder Deckenaufbau benutzen. Zugkraft der Verschraubung mind. 800 N/Bolzen.

Wenn der Ventilator im Innenraum benutzt werden soll und nicht an einem anderen Nederman-Produkt montiert ist, muss er so nahe wie möglich am Auslass im Raum angebracht werden, damit in den Luftkanälen ein Unterdruck herrscht.


BEACHTEN!

Der Abluftkanal ist so kurz und gerade wie möglich zu installieren. Der Druckabfall für das komplette System muss vom Installationsplaner oder Benutzer berücksichtigt werden.

4.2 Elektrische Installation


WARNUNG! Verletzungsgefahr

Alle Elektrikarbeiten müssen unter Beachtung der lokalen Vorschriften von einem qualifizierten Elektriker ausgeführt werden.

Überprüfen, ob die aktuelle Netzspannung mit der Nennspannung des Ventilators übereinstimmt. Danach Ventilator gemäß Anleitung an die Ventilatoranschlußdose anschließen. Es wird empfohlen, den Ventilator über einen verriegelbaren Sicherheitsschalter

am Netzanschlusskabel mit Strom zu versorgen. Die Elektroinstallation sollte stets einen Motorüberlastschutz beinhalten.

Ein drehzahlveränderlicher Antrieb ist bei 1-Phasen-Ventilatoren mit Standardmotor nicht möglich. Bei 3-Phasen-Ventilatoren kann ein Frequenzumrichter verwendet werden (max. Frequenz = Nennfrequenz).

5 Bedienung

5.1 Startanleitungen


WARNUNG! Verletzungsgefahr

- Der Ventilator darf nicht benutzt werden, wenn keine Kanäle angeschlossen sind, es sei denn, sowohl Einlaß als auch Auslaßöffnung sind mit zugelassenen Schutznetzen versehen.
- Beim Aufenthalt in der Nähe des Ventilators Ohrenschutz tragen.

Kontrollieren, ob alle Kabelverbindungen fest angezogen sind.

Erdung des Ventilators kontrollieren.

Den Ventilator starten und sicherstellen, dass er ohne übermäßige Schwingungen und Geräusche läuft.


BEACHTEN!

Bei 3-Phasen-Ventilatoren muß kontrolliert werden, ob die Motorwelle die richtige Drehrichtung hat (siehe Pfeil am Motor). Dreht sich die Motorwelle in die falsche Richtung, müssen zwei Phasen getauscht werden. Siehe [Abbildung 6](#).

5.2 Betrieb im Freien / Entleerung

Wenn der Ventilator ungeschützt im Freien oder unter Bedingungen angewendet werden soll, wo Feuchtigkeit oder Kondensat entstehen kann, muss sichergestellt werden, dass der Motor über Ablauföffnungen verfügt. Sicherstellen, dass diese Öffnungen unverschlossen sind. Am niedrigsten Punkt muss in eines der Ventilatorgehäuse eine Ablauföffnung gebohrt werden (ca. Ø 5 mm), siehe Abbildung [Abbildung 8](#). Anschließend die Öffnung mit Korrosionsschutzmittel behandeln.

Sind im Motor keine Ablauföffnungen vorhanden, so muss der Ventilator durch eine geeignete Abdeckung geschützt werden.


BEACHTEN!

Das Kabel muss mit einem Bügel versehen sein, und es wird eine Kabelverschraubung mit Schutzart IP 68 empfohlen. Siehe [Abbildung 7](#).

6 Wartung



WARNUNG! Verletzungsgefahr

- Vor Beginn von Wartungs-arbeiten oder Reparaturen immer zuerst den Ventilatormotor durch Drücken des Sicherheits-schalters vom Netz trennen.
- Bei Wartungs- und Reparatur-arbeiten am System immer eine Staubschutzmaske tragen.

Sämtliche Installations-, Instandsetzungs- und Wartungsarbeiten dürfen nur von qualifiziertem Personal und ausschließlich mit Original-Ersatzteilen von Nederman durchgeführt werden. Kontaktieren Sie Ihren autorisierten Händler oder Nederman, um Hilfestellung zum technischen Service zu erhalten.



BEACHTEN!

Die in diesem Kapitel angegebenen Intervalle legen eine professionelle Wartung der Einheit zugrunde.

Wartung wird mindestens einmal jährlich empfohlen.

- Auf Geräusche hören und die Ventilatorgehäuse mit der Hand berühren, um festzustellen, ob abnormale Schwingungen vor-handen sind. Ggf. den Ventilator vom Netz trennen, demontieren und das Laufrad reinigen (beim Ventilator N29 nicht möglich). Atemschutzmaske tragen.
- Die Saugleistung des Ventilators prüfen. Bei 3-Phasen Ventilatoren muss kontrolliert werden, ob die Motorwelle die richtige Drehrichtung hat. Sicherstellen, dass die Rohrleitungen nicht blockiert sind. Ggf. reinigen (Atemschutzmaske tragen).
- Elektroinstallation kontrollieren.
- Netzanschlusskabel auf Abnutzung oder Beschädigung kontrollieren.
- Bei Wand- oder Deckenmon-tage des Ventilators mit einem Rohrgestell die Montagevor-richtung kontrollieren.
- Alle Kanalschlüsse überprüfen und, wenn nötig, festziehen.
- Sicherstellen, dass die Schutz-gitter montiert sind.

7 Ersatzteile



VORSICHT! Gefahr der Anlagenbeschädigung

Verwenden Sie ausschließlich Originalersatzteile und Zubehör von Nederman.

Wenden Sie sich an einen autorisierten Händler oder an Nederman, um Hilfestellung zum technischen Service zu erhalten oder um Ersatzteile zu bestellen. Siehe auch www.nederman.com.

7.1 Bestellung von Ersatzteilen

Bei der Bestellung von Ersatzteilen ist immer Folgendes anzugeben:

- Teile- und Kontrollnummer (siehe Typenschild am Produkt).
- Ersatzteilnummer mit Beschreibung (siehe www.nederman.com/en/service/spare-part-search).
- Anzahl erforderlicher Ersatzteile.

8 Entsorgung

Bei der Entwicklung des Produktes wurde auf die Recyclingfähigkeit der einzelnen Komponenten geachtet. Die verschiedenen Materialarten sind gemäß den einschlägigen örtlichen Bestimmungen zu entsorgen. Bei Unklarheiten über die korrekte Entsorgung des Produktes wenden Sie sich an Ihren Händler oder an Nederman.

Tabla de contenidos

| | |
|--|----|
| Ilustraciones | 7 |
| 1 Prólogo | 37 |
| 2 Seguridad | 37 |
| 2.1 Clasificación de información importante | 37 |
| 3 Descripción | 37 |
| 3.1 Mediciones | 37 |
| 3.2 Diagramas de caída de la presión | 37 |
| 3.3 Datos técnicos | 37 |
| 4 Instalación | 39 |
| 4.1 Instrucciones de montaje N16/24/27/29/40 | 39 |
| 4.2 Instalación eléctrica | 39 |
| 5 Uso | 39 |
| 5.1 Instrucciones de arranque | 39 |
| 5.2 Uso en exteriores / Drenaje | 39 |
| 6 Mantenimiento | 39 |
| 7 Piezas de repuesto | 40 |
| 7.1 Solicitud de piezas de repuesto | 40 |
| 8 Reciclaje | 40 |

1 Prólogo

¡Gracias por usar un producto de Nederman!

El Grupo Nederman es un proveedor y desarrollador líder mundial de productos y soluciones para el sector de la tecnología ambiental. Nuestros productos innovadores filtrarán, limpiarán y reciclarán en los entornos más exigentes. Los productos y soluciones de Nederman le ayudarán a mejorar su productividad, reducir costes y también el impacto en el medio ambiente de los procesos industriales.

Lea con atención toda la documentación del producto y la placa de identificación del producto antes de la instalación, uso y mantenimiento o reparación de este producto. Si pierde la documentación, sustitúyala inmediatamente. Nederman se reserva el derecho a modificar y mejorar sus productos sin previo aviso, incluida la documentación.

Este producto está diseñado para cumplir los requisitos de las directivas CE aplicables. Para mantener esta condición, cualquier instalación, mantenimiento o reparación deberán ser efectuados por personal cualificado utilizando únicamente piezas de repuesto y accesorios originales Nederman. Póngase en contacto con el distribuidor autorizado más próximo o con Nederman para asesoramiento sobre servicio técnico y obtención de piezas de repuesto. Si hay algún componente dañado o extraviado en la entrega del producto, notifíquelo inmediatamente al transportista y al representante local de Nederman.

2 Seguridad

2.1 Clasificación de información importante

Este documento incluye información importante que se presenta como una advertencia, precaución o nota:



¡ADVERTENCIA! Riesgo de lesión personal

Las advertencias indican un peligro potencial para la salud y la seguridad del personal, y la forma en que el peligro puede ser evitado.



PRECAUCIÓN! Riesgo de daño del equipo

Las precauciones indican un peligro potencial para el producto, pero no para el personal y el modo en que se puede evitar dicho peligro.



¡NOTA!

Las notas contienen otra información de importancia para el personal.

3 Descripción

N16/24/27/29/40 son ventiladores centrífugos diseñados principalmente para su uso con productos de extracción Nederman e ideales como extractor de humos de soldadura, vapor, polvo o para proporcionar aire fresco durante el trabajo en espacios confinados y cerrados. Ventiladores compactos y fáciles de usar tanto para uso en interiores como en exteriores.

3.1 Mediciones

Ver [Ilustración 1](#) a [Ilustración 3](#).



¡NOTA!

Las mediciones pueden diferir debido a la actualización de los motores.

3.2 Diagramas de caída de la presión

Ver [Ilustración 9](#) a [Ilustración 12](#).

- A Presión total
- B Presión estática
- C Presión total (1,1 kW, 1.5 hp)
- D Presión estática (1,1 kW, 1.5 hp)
- E Presión total (1,5 kW, 2.0 hp)
- F Presión estática (1,5 kW, 2.0 hp)
- G Presión total (2,2 kW, 3.0 hp)
- H Presión estática (2,2 kW, 3.0 hp)

3.3 Datos técnicos

| Datos técnicos | |
|--------------------|-----------------------------------|
| Potencia del motor | Véase la placa de características |
| Revoluciones | Véase etiqueta del motor |
| Tensión / Fases | Véase etiqueta del motor |
| Frecuencia | Véase la placa de características |
| Corriente nominal | Véase etiqueta del motor |
| Temperatura | -30°C a +40°C (-22°F to +104°F) |

| Datos técnicos | |
|------------------------|-----------------------------|
| Temperatura flujo aire | max. +60°C (+140°F) |
| Clase de protección | IP55 |
| Reciclaje | 95 % de peso |
| Capacidad: | |
| • N16, 0.55 kW | 400-1250 m ³ /h* |
| • N24, 0.75 kW | 400-1500 m ³ /h* |
| • N24, 0.9 kW | 400-1750 m ³ /h* |
| • N27, 1.1 kW | 500-1400 m ³ /h* |
| • N27, 1.5 kW | 500-1950 m ³ /h* |
| • N29, 1.5 kW | 500-1500 m ³ /h* |
| • N29, 2.2 kW | 500-3000 m ³ /h* |
| • N40, 1.5 kW | 500-2500 m ³ /h* |
| • N40, 2.2 kW | 500-4000 m ³ /h* |
| Peso: | |
| • N16 | 13 kg (29 lbs) |
| • N24 | 17 kg (37 lbs) |
| • N27 | 17 kg (37 lbs) |
| • N29, 1.5 kW | 28 kg (62 lbs) |
| • N29, 2.2 kW | 32 kg (71 lbs) |
| • N40, 1.5 kW | 25 kg (55 lbs) |
| • N40, 2.2 kW | 29 kg (64 lbs) |
| Nivel de ruido:** | |
| • N 16 | 74-76 dB(A) |
| • N 24 | 75-79 dB(A) |
| • N 27 | 75-79 dB(A) |
| • N 29 | 70-80 dB(A) |
| • N 40 | 60-80 dB(A) |

4 Instalación

4.1 Instrucciones de montaje N16/24/27/29/40



¡ADVERTENCIA! Peligro de explosión

El ventilador no debe ser instalado en entornos con riesgo de explosión ni ser utilizado para transportar polvos o gases inflamables ni explosivos.



¡ADVERTENCIA! Riesgo de lesión personal

- Se deben montar rejillas protectoras en la entrada y salida del ventilador, a menos que éste no esté montado de forma permanente y conectado directamente al sistema de conductos, ver la [Ilustración 4](#).
- En la entrada del ventilador N40 se debe montar siempre un conducto o una maguera, ver la [Ilustración 5](#).

Comprobar que el ventilador no haya sufrido daños durante el transporte.

Los ventiladores sin soporte están diseñados para ser montados directamente en otros productos Nederman.

Si le ventilateur est équipé d'un berceau sur un mur ou au plafond, utiliser des boulons et écrous anti-vibratoires convenant à la structure du mur/plafond. Les boulons devront tolérer un couple de torsion de 800 N.

S'il est utilisé à l'intérieur, et n'est pas monté sur un autre produit Nederman, le ventilateur devra être monté le plus près possible de l'orifice d'évacuation du local pour assurer une pression normale dans le réseau aéroulique.



¡NOTA!

Es conveniente que el tubo de escape sea lo más recto y corto posible. La caída de presión para el sistema completo debe ser considerada por el diseñador de la instalación o el usuario.

4.2 Instalación eléctrica



¡ADVERTENCIA! Riesgo de lesión personal

Todos los trabajos eléctricos deben ser realizados por un electricista cualificado conforme a las regulaciones locales.

Controlar que la tensión de la red coincida con la placa de características del ventilador. Conectar después el ventilador según el diagrama de la caja de conexiones. Se recomienda equipar el ventilador con un interruptor de seguridad bloqueable en el cable de conexión a la red. La instalación eléctrica siempre debe incluir una protección contra sobrecargas de motor.

El accionamiento con velocidad variable no es posible en ventiladores monofásicos con motores estándar.

Para ventiladores trifásicos se puede utilizar un convertidor de frecuencia (frecuencia máx. = frecuencia nominal).

5 Uso

5.1 Instrucciones de arranque



¡ADVERTENCIA! Riesgo de lesión personal

- No utilizar el ventilador si no tiene conectados los conductos, a menos que la entrada y la salida estén equipadas con rejillas protectoras aprobadas.
- Utilizar protección auricular al estar cerca del ventilador.

Verifique que las conexiones de los cables estén apretadas.

Compruebe la puesta a tierra del motor eléctrico.

Controlar que las conexiones de cables estén bien apretadas. Controlar la conexión a tierra del motor. Arrancar el ventilador y comprobar que funcione sin exceso de vibraciones y ruidos.



¡NOTA!

En los ventiladores trifásicos hay que controlar que el eje del motor gira en el sentido correcto (véase la flecha indicadora en el motor). Si el eje gira en dirección equivocada, dos de los cables conductores deberán ser invertidos. Ver la [Ilustración 6](#).

5.2 Uso en exteriores / Drenaje

Si el ventilador se utiliza sin protección al aire libre o en condiciones en las que pueden formarse humedad o condensaciones, se debe comprobar que el motor tenga agujeros de drenaje. Asegurarse de que los agujeros estén abiertos. En el nivel inferior de una de las carcassas del ventilador, se debe perforar un agujero de drenaje (aprox. Ø 5 mm), ver la [Ilustración 8](#). Después, tratar el agujero con agente anticorrosión.

Si el motor no tiene agujeros de drenaje, debe ser protegido con una cubierta adecuada.



¡NOTA!

El cable debe tener un bucle y se recomienda un prensaestopas con clase de protección IP 68. Consulte [Ilustración 7](#).

6 Mantenimiento



¡ADVERTENCIA! Riesgo de lesión personal

- Desconectar siempre el cable de alimentación de la red antes de comenzar los trabajos de mantenimiento o reparación.
- Utilizar siempre mascarilla con filtro al reparar y mantener el sistema.

Las tareas de instalación, reparación y mantenimiento deben ser realizadas por personal cualificado, utilizando únicamente piezas de recambio originales de Nederman. Contacte con su distribuidor autorizado más cercano o Nederman para recibir información sobre el servicio técnico.



¡NOTA!

Los intervalos de mantenimiento de este capítulo se basan en la consideración de que el mantenimiento se realiza de forma profesional.

ES

Se recomienda realizar un mantenimiento como mínimo una vez al año.

- Escuchar si hay ruido y tocar las carcasas del ventilador para controlar si se producen vibraciones anormales. Si es necesario, desconectar el ventilador de la red, desarmar el ventilador y limpiar la turbina (no es posible en el ventilador N29). Utilizar mascarilla protectora.
- Comprobar la capacidad de aspiración del ventilador. En los ventiladores trifásicos comprobar que el eje del motor gire en el sentido correcto. Comprobar que los conductos no estén bloqueados. Limpiar si es necesario. Utilizar mascarilla protectora.
- Controlar la instalación eléctrica.
- Comprobar que el cable de conexión a la red no esté desgastado ni dañado.
- Si el ventilador ha sido montado con soporte en la pared o el techo, comprobar la sujeción.
- Controlar y apretar las conexiones flojas de los conductos.
- Comprobar que las rejillas protectoras estén colocadas.

7 Piezas de repuesto



PRECAUCIÓN! Riesgo de daño del equipo

Utilice solo piezas de repuesto y accesorios originales Nederman.

Póngase en contacto con su distribuidor autorizado más próximo o con Nederman para asesoramiento sobre servicio técnico o si necesita ayuda con las piezas de repuesto. Consulte también www.nederman.com.

7.1 Solicitud de piezas de repuesto

Cuando encargue piezas de repuesto, indique siempre lo siguiente:

- Número de la pieza y de control (véase la placa de identificación del producto).
- Indique el número y el nombre de la pieza de repuesto (visite www.nederman.com/en/service/spare-part-search).
- Cantidad de piezas requeridas.

8 Reciclaje

El producto se ha diseñado para reciclar los materiales de los componentes. Distintos tipos de materiales deben manipularse según la normativa local aplicable. Contacte con el distribuidor o con Nederman si le plantea dudas cómo desechar el producto al final de su vida útil.

Sisällysluettelo

| | |
|--|----|
| Kuvat | 7 |
| 1 Esipuhe | 42 |
| 2 Turvallisuus | 42 |
| 2.1 Tärkeiden tietojen luokittelu | 42 |
| 3 Kuvaus | 42 |
| 3.1 Mittaukset | 42 |
| 3.2 Painehäviökaaviot | 42 |
| 3.3 Tekniset tiedot | 42 |
| 4 Asennus | 44 |
| 4.1 Asennusohjeet N16/24/27/29/40 | 44 |
| 4.2 Sähköasennus | 44 |
| 5 Käyttö | 44 |
| 5.1 Käynnistysohjeet | 44 |
| 5.2 Käyttö ulkotiloissa / Valumaveden ohjaus | 44 |
| 6 Huolto | 44 |
| 7 Varaosat | 45 |
| 7.1 Varaosien tilaaminen | 45 |
| 8 Kierrätys | 45 |

1 Esipuhe

Kiitos Nederman-tuotteen käyttämisestä!

Nederman Group on maailman johtava ympäristöteknologia-alan tuotteiden ja ratkaisujen toimittaja ja kehittäjä. Innovatiiviset tuotteemme suodattavat, puhdistavat ja kierrättävät ilmaa vaativimmissakin ympäristöissä. Nederman-tuotteet ja ratkaisut auttavat sinua parantamaan tuottavuuttasi, alentamaan kustannuksia ja vähentämään myös teollisten prosessien ympäristövaikutuksia.

FI

Lue kaikki mukana toimitetut asiakirjat ja tuotteen tyyppikilpi huolellisesti ennen tuotteen asentamista, käyttämistä tai huoltamista. Hanki kadonneiden tilalle uudet kappaleet välittömästi. Nederman pidättää oikeuden muuttaa ja parantaa tuotteitaan, dokumentaatio mukaan lukien, ilman ennakoilmoitusta.

Tämä tuote on suunniteltu täyttämään asianmukaisen EY-direktiivien vaatimukset. Direktiivien mukaisen tilan ylläpito edellyttää, että kaikki asennus-, korjaus- ja huoltotyöt suorittaa pätevä henkilöstö käyttäen ainoastaan Nederman alkuperäisiä varaosia ja tarvikkeita. Jos haluat neuvoja teknisistä palveluksista tai tilata varaosia, ota yhteys lähimpään valtuutettuun jälleenmyyjään tai Nederman. Jos tuotteessa on toimitettaessa viallisia tai puuttuvia osia, ilmoita asiasta välittömästi kuljetusliikkeelle ja paikalliselle Nederman-edustajalle.

2 Turvallisuus

2.1 Tärkeiden tietojen luokittelu

Tämä asiakirja sisältää tärkeitä tietoja, jotka annetaan joko varoituksina, huomautuksina tai ilmoituksina:



VAROITUS! Henkilövahingon riski

Varoitukset ilmoittavat mahdollisesta vaarasta käyttäjien terveydelle ja turvallisuudelle, ja niissä ilmoitetaan, miten vaaran voi välttää.



HUOMIO! Laitevaurion vaara

Huomautukset koskevat mahdollista vaaraa laitteelle mutta ei henkilöille, ja tapoja, joilla vaara voidaan välttää.



HUOMAUTUS!

Ilmoitukset sisältävät muuta henkilöstön kannalta tärkeää tietoa.

3 Kuvaus

N16/24/27/29/40 ovat keskipakopuhaltimia, jotka on suunniteltu käytettäväksi pääasiassa Nederman-kohdepoistotuotteiden kanssa. Ne sopivat täydellisesti hitsaushöyryjen, höyryn ja pölyn poistoon tai tuottamaan raikasta ilmaa työskentelyn aikana ahtaissa ja suljetuissa tiloissa. Kompaktit ja helppokäyttöiset puhaltimet sekä sisä- että ulkokäyttöön.

3.1 Mittaukset

Katso [Kuva 1](#) - [Kuva 3](#).



HUOMAUTUS!

Mittaukset voivat vaihdella päivitettyjen moottoreiden vuoksi.

3.2 Painehäviökaaviot

Katso [Kuva 9](#) - [Kuva 12](#).

- A Kokonaispaine
- B Staattinen paine
- C Kokonaispaine (1,1 kW, 1,5 hp)
- D Staattinen paine (1,1 kW, 1,5 hp)
- E Kokonaispaine (1,5 kW, 2,0 hp)
- F Staattinen paine (1,5 kW, 2,0 hp)
- G Kokonaispaine (2,2 kW, 3,0 hp)
- H Staattinen paine (2,2 kW, 3,0 hp)

3.3 Tekniset tiedot

| Tekniset tiedot | |
|----------------------|------------------------------------|
| Moottorin teho | Katso tyyppikilpi |
| Roottorin teho | Katso moottorin arvokilpi |
| Jännite / Vaihe | Katso moottorin arvokilpi |
| Taajuus | Katso tyyppikilpi |
| Nimellisvirta | Katso moottorin arvokilpi |
| Lämpötila | -30°C tot +40°C (-22°F tot +104°F) |
| Ilmavirtauslämpötila | Maks. +60°C (+140°F) |

| Tekniset tiedot | |
|-----------------|-----------------------------|
| Suojausluokka | IP55 |
| Kierrätys | 95 % paino |
| Kapasiteetti: | |
| • N16, 0.55 kW | 400-1250 m ³ /h* |
| • N24, 0.75 kW | 400-1500 m ³ /h* |
| • N24, 0.9 kW | 400-1750 m ³ /h* |
| • N27, 1.1 kW | 500-1400 m ³ /h* |
| • N27, 1.5 kW | 500-1950 m ³ /h* |
| • N29, 1.5 kW | 500-1500 m ³ /h* |
| • N29, 2.2 kW | 500-3000 m ³ /h* |
| • N40, 1.5 kW | 500-2500 m ³ /h* |
| • N40, 2.2 kW | 500-4000 m ³ /h* |
| Paino: | |
| • N16 | 13 kg (29 lbs) |
| • N24 | 17 kg (37 lbs) |
| • N27 | 17 kg (37 lbs) |
| • N29, 1.5 kW | 28 kg (62 lbs) |
| • N29, 2.2 kW | 32 kg (71 lbs) |
| • N40, 1.5 kW | 25 kg (55 lbs) |
| • N40, 2.2 kW | 29 kg (64 lbs) |
| Melutaso:** | |
| • N 16 | 74-76 dB(A) |
| • N 24 | 75-79 dB(A) |
| • N 27 | 75-79 dB(A) |
| • N 29 | 70-80 dB(A) |
| • N 40 | 60-80 dB(A) |

4 Asennus

4.1 Asennusohjeet N16/24/27/29/40

VAROITUS! Räjähdyksvaara
Puhallinta ei saa asentaa räjähdysalttiin ympäristöön eikä käyttää palovaarallisten tai räjähtävien kaasujen siirtoon.

VAROITUS! Henkilövahingon riski

- Puhaltimen imu- ja painepuolelle on asennettava suojaverkot, ellei puhallinta ole asennettu kiinteästi ja suoraan kanavistoon, katso [Kuva 4](#).
- Kanava tai letku on aina asennettava puhaltimen N40 imupuolelle, katso [Kuva 5](#).

Varmista, että puhallin ei ole vaurioitunut kuljetuksen aikana.

Putkijalattomat puhaltimet on suunniteltu asennettaviksi suoraan muihin Nederman-tuotteisiin.

Jos puhallin on kiinnitetty putkijaloilla seinään tai kattoon, käytä tärinänkestäviä, kiinnityspintaan sopivia kiinnityspultteja. Kaikkien pulttien on kestävä vähintään 800 N rasitus.

Jos puhallinta aiotaan käyttää sisätiloissa, eikä sitä ole asennettu muuhun Nederman tuotteeseen, se on asennettava mahdollisimman lähelle painepuolta, jotta aikaan-saadaan alipaine kanavissa.

HUOMAUTUS!
Poistoilma tulee johtaa ulos mahdollisimman suoraan ja lyhyttä reittiä. Asennuksen suunnittelijan ja käyttäjän on otettava huomioon koko järjestelmän painehäviö.

4.2 Sähköasennus

VAROITUS! Henkilövahingon riski
Kaikki sähkötyöt saa tehdä vain pätevä sähköasentaja paikallisten määräysten mukaisesti.

Tarkista, että verkon jännite on sama, kuin puhaltimen arvokilvessä. Tämän jälkeen suorita puhaltimen kytkentä puhaltimen kytkentärasiaassa olevan kytkentäkaavion osoittamalla tavalla. On suositeltavaa varustaa puhaltimen verkkokaapeli lukittavalla turvakytkimellä. Moottoriin tulisi aina asentaa ylikuormitus-suoja.

Puhaltimen kierrosluvun säätö ei ole mahdollista 1-vaihepuhaltimissa, joissa on vakio-moottorit. 3-vaihepuhaltimissa voidaan käyttää taajuusmuunninta (maks. taajuus = nimellistaajuus).

5 Käyttö

5.1 Käynnistysohjeet

VAROITUS! Henkilövahingon riski

- Puhallinta ei saa käyttää ilman siihen liitettyjä kanavia, paitsi jos imu- ja painepuoli on varustettu hyväksytyllä suojaverkolla.
- Puhaltimessa tehtävien toimenpiteiden aikana on käytettävä kuulosuojaimia.

Tarkasta ruuviliitosten kireys.

Tarkasta sähkömoottorin maadoitus.

Käynnistä puhallin ja tarkasta, ettei se tärise eikä ääntele epänormaalisti.

HUOMAUTUS!
Puhaltimissa, jotka käyttävät kolmevaihesähköä, on syytä tarkistaa, että moottorin akseli pyörii oikeaan suuntaan (katso moottoriin merkittyä pyörimissuuntaa osoittavaa nuolta). Jos akseli pyörii väärään suuntaan, on kaksi vaihetta käännettävä päinvastaiseksi. Katso [Kuva 6](#).

5.2 Käyttö ulkotiloissa / Valumaveden ohjaus

Jos puhallinta käytetään ulkoilmassa ilman suojaa, tai muissa olosuhteissa joissa kosteutta voi tiivistyä, on tarkastettava, että moottorissa on valumaveden ohjausreiät. Varmista, että nämä reiät ovat auki. Poraa yhteen puhallinkoteloista mahdollisimman alas reikä (noin Ø 5 mm) ja käsittele se ruosteenestoaineella, katso [Kuva 8](#).

Jos moottorissa ei ole valumaveden ohjausreiä, puhallin on suojattava sopivalla suojakotelolla.

HUOMAUTUS!
Kaapelissa on oltava silmukka ja kaapelin läpiviennille suositellaan suojausluokkaa IP 68. Katso [Kuva 7](#).

6 Huolto

VAROITUS! Henkilövahingon riski

- Kytke aina puhallinmoottori irti turvakytkimellä ennen kunnossapito- tai huoltotöitä.
- Käytä aina hengityksensuojainta korjaus- ja huoltotöiden yhteydessä.

Asennus-, korjaus- ja huoltotöitä saa suorittaa vain pätevä henkilöstö käyttäen ainoastaan alkuperäisiä Nederman-varaosia. Pyydä teknistä tukea lähimmältä valtuutetulta jälleenmyyjältä tai Nederman.

HUOMAUTUS!
Tämän luvun ajat perustuvat oletukseen, että yksikköä huolletaan ammattimaisesti.

Suosittellemme laitteiston huoltoa vähintään kerran vuodessa.

- Kuuntele mahdollista melua ja tunnustele puhallinkotelosta kädellä, täriseekö puhallin epänormaalisti. Erotta puhallin tarvittaessa sähköverkosta, pura puhallin ja puhdista siipipyörä (ei mahdollista puhaltimessa N29). Käytä hengityksensuojainta.
- Tarkasta puhaltimen imuteho. Puhaltimissa, jotka käyttävät kolmevaihesähköä, on syytä tarkistaa, että moottorin akseli pyörii oikeaan suuntaan. Tarkasta, etteivät kanavat ole tukossa. Puhdista tarvittaessa Käytä hengityksensuojainta.
- Tarkasta sähköasennukset.
- Tarkasta, ettei verkkokaapeli ole kulunut tai vaurioitunut.
- Jos puhallin on asennettu putkijaloilla seinään tai lattiaan, tarkasta kiinnitys.
- Tarkasta ja kiristä mahdolliset löyhät kanavaliitännät.
- Tarkasta, että suojaverkot ovat paikallaan.

7 Varaosat



HUOMIO! Laitevaurion vaara

Käytä vain Nederman alkuperäisiä varaosia ja lisävarusteita.

Jos haluat neuvoja teknisistä palveluista tai tilata varaosia, ota yhteys lähimpään valtuutettuun Nederman-jälleenmyyjään. Katso myös www.nederman.com.

7.1 Varaosien tilaaminen

Varaosia tilattaessa ilmoita aina seuraavat tiedot:

- Osa- ja tarkistusnumero (katso tuotteen tyyppikilpeä).
- Varaosan osanumero ja nimi (katso www.nederman.com/en/service/spare-part-search).
- Tarvittavien varaosien lukumäärä.

8 Kierrätys

Tuote on suunniteltu siten, että osien materiaalit voidaan kierrättää. Eri materiaalityypit on käsiteltävä paikallisten säädösten mukaan. Ota kysymyksissä yhteys jälleenmyyjään tai Nederman, kun tuote heitetään pois sen käyttöiän lopussa.

Table des matières

| | |
|---|----|
| Figures | 7 |
| 1 Préface | 47 |
| FR 2 Sécurité | 47 |
| 2.1 Classification des informations importantes | 47 |
| 3 Description | 47 |
| 3.1 Mesures | 47 |
| 3.2 Diagrammes de chute de pression | 47 |
| 3.3 Caractéristiques techniques | 47 |
| 4 Installation | 49 |
| 4.1 Instructions de montage N16/24/27/29/40 | 49 |
| 4.2 Installation électrique | 49 |
| 5 Utilisation | 49 |
| 5.1 Instructions de mise en marche | 49 |
| 5.2 Utilisation extérieure / Drainage | 49 |
| 6 Maintenance | 50 |
| 7 Pièces de rechange | 50 |
| 7.1 Commande de pièces de rechange | 50 |
| 8 Recyclage | 50 |

1 Préface

Merci d'utiliser un produit Nederman !

Le Groupe Nederman est un fournisseur et développeur leader de produits et solutions pour le secteur de la technologie environnementale. Nos produits innovants filtrent, nettoient et recyclent les environnements les plus exigeants. Les produits et solutions Nederman vous aideront à améliorer votre productivité et à réduire les coûts et l'impact environnemental de vos processus industriels.

Lire attentivement toute la documentation et la plaque signalétique du produit avant l'installation, l'utilisation et l'entretien de ce produit. Remplacer immédiatement la documentation en cas de perte. Nederman se réserve le droit, sans préavis, de modifier et d'améliorer ses produits, y compris la documentation.

Ce produit est conçu pour être conforme aux exigences des directives européennes en vigueur. Pour conserver ce statut, tous les travaux d'installation, de maintenance et de réparation doivent être effectués par du personnel qualifié en n'utilisant que des pièces de rechange et accessoires Nederman d'origine. Pour obtenir des conseils techniques et des pièces de rechange, contacter le distributeur agréé le plus proche ou Nederman. En cas de pièces endommagées ou manquantes à la livraison du produit, en informer immédiatement le transporteur et le représentant Nederman local.

2 Sécurité

2.1 Classification des informations importantes

Ce document contient des informations importantes qui sont présentées sous forme d'avertissement, de mise en garde ou de note :



ATTENTION! Risque de blessures du personnel.

Les avertissements indiquent un danger potentiel lié à la santé et à la sécurité du personnel et expliquent comment ce danger peut être évité.



ATTENTION! Risque de dommages sur l'équipement

Les mises en garde indiquent un danger potentiel pour le produit, mais pas pour le personnel et expliquent comment ce danger peut être évité.



NOTE!

Les remarques contiennent d'autres informations qui sont importantes pour le personnel.

3 Description

Les modèles N16/24/27/29/40 sont des ventilateurs centrifuges principalement conçus pour être utilisés avec des produits d'extraction Nederman et sont parfaits pour extraire les fumées de soudage, la vapeur, la poussière ou pour fournir de l'air frais lors de travaux dans des espaces confinés et clos. Ventilateurs compacts et faciles à utiliser aussi bien à l'intérieur qu'à l'extérieur.

3.1 Mesures

Voir [Figure 1](#) à [Figure 3](#).



NOTE!

Les mesures peuvent varier en raison de la mise à jour des moteurs.

3.2 Diagrammes de chute de pression

Voir [Figure 9](#) à [Figure 12](#).

- A Pression totale
- B Pression statique
- C Pression totale (1,1 kW, 1.5 hp)
- D Pression statique (1,1 kW, 1.5 hp)
- E Pression totale (1,5 kW, 2.0 hp)
- F Pression statique (1,5 kW, 2.0 hp)
- G Pression totale (2,2 kW, 3.0 hp)
- H Pression statique (2,2 kW, 3.0 hp)

3.3 Caractéristiques techniques

| Caractéristiques techniques | |
|-----------------------------|--|
| Puissance du moteur | Voir la plaque signalétique du produit |
| Régime du moteur | Voir la plaque signalétique du moteur |
| Tension / Phase | Voir la plaque signalétique du moteur |
| Fréquence | Voir la plaque signalétique du produit |

| Caractéristiques techniques | |
|-----------------------------|---------------------------------------|
| Courant normal | Voir la plaque signalétique du moteur |
| Température | -30°C à +40°C (-22°F à +104°F) |
| Température débit d'air | Max. +60°C (+140°F) |
| Classe de protection | IP55 |
| Recyclage | 95 % du poids |
| Capacité | |
| • N16, 0.55 kW | 400-1250 m ³ /h* |
| • N24, 0.75 kW | 400-1500 m ³ /h* |
| • N24, 0.9 kW | 400-1750 m ³ /h* |
| • N27, 1.1 kW | 500-1400 m ³ /h* |
| • N27, 1.5 kW | 500-1950 m ³ /h* |
| • N29, 1.5 kW | 500-1500 m ³ /h* |
| • N29, 2.2 kW | 500-3000 m ³ /h* |
| • N40, 1.5 kW | 500-2500 m ³ /h* |
| • N40, 2.2 kW | 500-4000 m ³ /h* |
| Poids: | |
| • N16 | 13 kg (29 lbs) |
| • N24 | 17 kg (37 lbs) |
| • N27 | 17 kg (37 lbs) |
| • N29, 1.5 kW | 28 kg (62 lbs) |
| • N29, 2.2 kW | 32 kg (71 lbs) |
| • N40, 1.5 kW | 25 kg (55 lbs) |
| • N40, 2.2 kW | 29 kg (64 lbs) |
| Niveau sonore:** | |
| • N 16 | 74-76 dB(A) |
| • N 24 | 75-79 dB(A) |
| • N 27 | 75-79 dB(A) |
| • N 29 | 70-80 dB(A) |

Caractéristiques techniques

• N 40

60-80 dB(A)

4 Installation

4.1 Instructions de montage N16/24/27/29/40

⚠ ATTENTION! Risque d'explosion
Le ventilateur ne doit pas être installé dans des environnements à risque d'explosion ou utilisé pour le transport de gaz/poussières inflammables ou explosifs.

⚠ ATTENTION! Risque de blessures du personnel.

- Des grilles de protection doivent être montées sur l'entrée et la sortie du ventilateur, sauf si le ventilateur n'est pas monté fixe et connecté directement à une tuyauterie, voir [Figure 4](#).
- Une conduite ou un tuyau doivent toujours être montés sur l'entrée du ventilateur N40, voir [Figure 5](#).

Contrôler que le ventilateur n'a pas subi de dommages en cours de transport.

Les ventilateurs sans berceau sont conçus pour être montés directement sur d'autres produits Nederman.

Si le ventilateur est équipé d'un berceau sur un mur ou au plafond, utiliser des boulons et écrous antivibratoires convenant à la structure du mur/plafond. Les boulons devront tolérer un couple de torsion de 800 N.

S'il est utilisé à l'intérieur, et n'est pas monté sur un autre produit Nederman, le ventilateur devra être monté le plus près possible de l'orifice d'évacuation du local pour assurer une pression normale dans le réseau aéraulique.

ⓘ NOTE!
Le tuyau d'évacuation d'air doit emprunter le trajet le plus direct et le plus court. La chute de pression pour le système complet doit être prise en compte par le concepteur de l'installation ou l'utilisateur.

4.2 Installation électrique

⚠ ATTENTION! Risque de blessures du personnel.
Les travaux électriques sont réservés à des électriciens qualifiés, conformément à la législation locale.

S'assurer que la tension réseau correspond à la tension nominale du ventilateur, puis brancher celui-ci en

suivant les connexions indiquées dans le boîtier de connexion. Il est recommandé d'équiper le ventilateur d'un interrupteur de sécurité verrouillable sur le câble de connexion au réseau. Une protection contre la surcharge du moteur doit toujours être comprise dans l'installation électrique.

Les ventilateurs monophasés avec moteur standard ne permettent pas un entraînement à vitesse variable. Pour les ventilateurs triphasés, un convertisseur de fréquence peut être utilisé (fréquence max. = fréquence nominale).

5 Utilisation

5.1 Instructions de mise en marche

⚠ ATTENTION! Risque de blessures du personnel.

- Le ventilateur ne devra pas être utilisé tant que les tuyaux ne sont pas connectés, à moins que les arrivées et sorties d'écoulement soient protégées par des grilles de protection appropriées.
- Des protecteurs d'oreilles devront être utilisés à proximité du ventilateur.

Contrôler que les connexions de câble sont correctement serrés.

Contrôler la mise à la terre du moteur.

Démarrer le ventilateur et contrôler qu'il fonctionne sans excès de vibration et de bruit.

ⓘ NOTE!
Pour les ventilateurs tri-phasés, s'assurer que l'axe moteur tourne dans le sens de la flèche indiquée sur le moteur. Dans le cas inverse, intervertir deux des phases. Voir [Figure 6](#).

5.2 Utilisation extérieure / Drainage

Pour utiliser le ventilateur non protégé, au dehors ou dans tout endroit où l'humidité ou la condensation peuvent se produire, contrôler que le moteur comporte des trous d'évacuation et s'assurer qu'ils sont ouverts. Percer un trou d'évacuation (Ø 5 mm env.), voir [Figure 8](#), au niveau inférieur de l'un des logements du ventilateur. Puis appliquer un agent anti-rouille sur le trou.

Si le moteur ne comporte pas de trous d'évacuation, le ventilateur doit être protégé à l'aide d'un carter approprié.

**NOTE!**

Le câble doit comporter une boucle et un presse-étoupe avec la classe de protection IP 68 recommandée. Voir [Figure 7](#).

6 Maintenance

**ATTENTION! Risque de blessures du personnel.**

- Toujours arrêter le ventilateur à l'aide de l'interrupteur avant de procéder à des réparations ou des travaux d'entretien.
- Toujours utiliser un masque contre la poussière lors de réparations ou de travaux d'entretien sur le système.

Les travaux d'installation, de réparation et de maintenance doivent être effectués uniquement par du personnel qualifié en n'utilisant que des pièces Nederman d'origine. Pour obtenir des conseils techniques, contacter votre distributeur agréé le plus proche ou Nederman.

**NOTE!**

Les intervalles d'entretien dans ce chapitre sont basés sur l'entretien professionnel de l'unité.

La maintenance est recommandée au moins une fois par an.

- Écouter pour détecter les éventuels bruits anormaux et toucher les boîtiers du ventilateur avec la main pour détecter les éventuelles vibrations anormales. Si nécessaire, déconnecter le moteur du ventilateur du réseau, démonter le ventilateur et nettoyer la turbine (impossible sur le ventilateur N29). Utiliser un masque respiratoire.
- Contrôler la capacité d'aspiration du ventilateur. Pour les ventilateurs triphasés, s'assurer que l'axe moteur tourne dans le sens. Contrôler que les conduites ne sont pas bloquées. Nettoyer si nécessaire Utiliser un masque respiratoire.
- Contrôler l'installation électrique.
- Contrôler que le câble de connexion au réseau n'est pas usé ou endommagé.
- Si le ventilateur est monté avec un berceau sur le mur ou au plafond, contrôler les fixations.
- Contrôler et serrer les raccordements de tuyaux.
- Contrôler que les grilles de protection sont en position.

7 Pièces de rechange

**ATTENTION! Risque de dommages sur l'équipement**

Utiliser uniquement des pièces de rechange et accessoires Nederman d'origine.

Pour obtenir des conseils techniques ou des renseignements concernant les pièces de rechange, contacter le distributeur agréé le plus proche ou Nederman. Consulter également www.nederman.com.

7.1 Commande de pièces de rechange

Les informations suivantes doivent être indiquées lors de la commande de pièces de rechange:

- Numéro de pièce et de contrôle (cf. la plaque signalétique du produit).
- Numéro d'article et nom de la pièce de rechange (voir www.nederman.com/en/service/spare-part-search).
- Quantité de pièces nécessaires.

8 Recyclage

Le produit a été conçu pour que les matériaux des composants soient recyclés. Les différents types de matériaux le composant doivent être traités conformément aux réglementations locales en vigueur. Contacter le distributeur ou Nederman en cas de question concernant la mise au rebut du produit à la fin de sa durée de service.

Tartalomjegyzék

| | |
|--|----|
| ábrák | 7 |
| 1 Előszó | 52 |
| 2 Biztonság | 52 |
| 2.1 A fontos információk osztályozása | 52 |
| 3 Leírás | 52 |
| 3.1 Mérések | 52 |
| 3.2 Nyomáskereső diagramok | 52 |
| 3.3 Műszaki adatok | 52 |
| 4 Telepítés | 54 |
| 4.1 Szerelési útmutató N16/24/27/29/40 | 54 |
| 4.2 Elektromos üzembe helyezés | 54 |
| 5 Használat | 54 |
| 5.1 Indítási útmutató | 54 |
| 5.2 Kültéri használat / Kiürítés | 54 |
| 6 Karbantartás | 55 |
| 7 Cserealkatrészek | 55 |
| 7.1 Cserealkatrészek rendelése | 55 |
| 8 Újrahasznosítás | 55 |

1 Előszó

Köszönjük, hogy Nederman-et használt termék!

A Nederman csoport világszerte vezető szállítója és fejlesztője a termékek és megoldásoknak a környezetvédelmi technológiai szektor számára. Innovatív termékeink kiszűrik, tisztítják és újrahasznosítják a legigényesebb környezetben. Termékei és megoldásai elősegítik a termelékenység javítását, a költségek csökkentését és az ipari folyamatok környezeti hatásainak csökkentését.

Olvasa el figyelmesen a termék teljes dokumentációját és a termékazonosító táblát a termék beszerelése, használata és szervizelése előtt. Ha a dokumentáció elveszne, azonnal pótolja. A Nederman fenntartja a jogot arra, hogy előzetes értesítés nélkül módosítsa és fejlessze termékeit, beleértve a dokumentációt is.

A termék fejlesztése a vonatkozó EK-irányelvek követelményeinek megfelelően történt. Ezen állapot megőrzéséhez minden üzembe helyezési, karbantartási és szerelési munkát szakképzett személyzetnek kell végrehajtania, kizárólag eredeti cserealkatrészek felhasználásával. Ha műszaki tanácsadásra vagy cserealkatrészek beszerzésével kapcsolatos segítségre van szüksége, forduljon hivatalos képviselőhöz vagy a Nederman vállalathoz. Sérülés vagy hiányzó alkatrészek esetén azonnal értesítse a szállítót és a Nederman helyi képviselőjét.

2 Biztonság

2.1 A fontos információk osztályozása

Ez a dokumentum fontos információkat tartalmaz, amelyekre a „Vigyázat”, a „Figyelem”, illetve a „Megjegyzés” jelölés utal. Lásd a következő példákat:

⚠ VIGYÁZAT! Személyi sérülés veszélye
A „Vigyázat” jelölésű figyelmeztetések a személyzet egészségét és biztonságát veszélyeztető körülményekre hívják fel a figyelmet, valamint jelzik, hogy hogyan kerülhető el a veszély.

⚠ FIGYELEM! A berendezés károsodásának veszélye

A „Figyelem” jelölésű figyelmeztetések olyan körülményekre utalnak, amelyek a terméket veszélyeztetik, (ezen körülmények ugyanakkor nem jelentenek veszélyt a személyekre), valamint meghatározzák a veszély elkerülésének módját.

ⓘ MEGJEGYZÉS!

A megjegyzések olyan információkat tartalmaznak, amelyeket a felhasználónak feltétlenül ismernie kell.

3 Leírás

Az N16/24/27/29/40 egységek radiális ventilátorok, amelyek a Nedermanelszívóegységekhez használhatók a hegesztési gázok, a gőz és a por elszívására, vagy friss levegő biztosítására zárt és elszigetelt terekben végzett munkák során. Kompakt és könnyen kezelhető ventilátorok beltéri és kültéri használatra egyaránt.

3.1 Mérések

Lásd [Ábra 1](#) - [Ábra 3](#).

ⓘ MEGJEGYZÉS!

A mérések a módosított motorok miatt eltérőek lehetnek.

3.2 Nyomásesési diagramok

Lásd [Ábra 9](#) - [Ábra 12](#).

- A Teljes nyomás
- B Statikus nyomás
- C Teljes nyomás (1,1 kW, 1.5 hp)
- D Statikus nyomás (1,1 kW, 1.5 hp)
- E Teljes nyomás (1,5 kW, 2.0 hp)
- F Statikus nyomás (1,5 kW, 2.0 hp)
- G Teljes nyomás (2,2 kW, 3.0 hp)
- H Statikus nyomás (2,2 kW, 3.0 hp)

3.3 Műszaki adatok

| Műszaki adatok | |
|--------------------|---------------------|
| Motorteljesítmény | Lásd a termékcímkét |
| Motor sebesség | Lásd a motorcímkét |
| Feszültség / fázis | Lásd a motorcímkét |
| Frekvencia | Lásd a termékcímkét |
| Névleges áram | Lásd a motorcímkét |

| Műszaki adatok | |
|------------------------|-----------------------------|
| Hőmérséklet | -30°C- +40°C (-22°F-+104°F) |
| Légáram hőmérséklet | Max. +60°C (+140°F) |
| Érintésvédelmi osztály | IP55 |
| Újrahasznosítás | a tömeg 95 % -a |
| Kapacitás: | |
| • N16, 0.55 kW | 400-1250 m ³ /h* |
| • N24, 0.75 kW | 400-1500 m ³ /h* |
| • N24, 0.9 kW | 400-1750 m ³ /h* |
| • N27, 1.1 kW | 500-1400 m ³ /h* |
| • N27, 1.5 kW | 500-1950 m ³ /h* |
| • N29, 1.5 kW | 500-1500 m ³ /h* |
| • N29, 2.2 kW | 500-3000 m ³ /h* |
| • N40, 1.5 kW | 500-2500 m ³ /h* |
| • N40, 2.2 kW | 500-4000 m ³ /h* |
| Súly: | |
| • N16 | 13 kg (29 lbs) |
| • N24 | 17 kg (37 lbs) |
| • N27 | 17 kg (37 lbs) |
| • N29, 1.5 kW | 28 kg (62 lbs) |
| • N29, 2.2 kW | 32 kg (71 lbs) |
| • N40, 1.5 kW | 25 kg (55 lbs) |
| • N40, 2.2 kW | 29 kg (64 lbs) |
| Zajsztint:** | |
| • N 16 | 74-76 dB(A) |
| • N 24 | 75-79 dB(A) |
| • N 27 | 75-79 dB(A) |
| • N 29 | 70-80 dB(A) |

Műszaki adatok

• N 40

60-80 dB(A)

4 Telepítés

4.1 Szerelési útmutató
N16/24/27/29/40**VIGYÁZAT! Robbanásveszély**

A ventilátort nem szabad robbanásveszélyes környezetben felszerelni, ill. gyúlékony vagy robbanékony por vagy gázok szállítására használni.

**VIGYÁZAT! Személyi sérülés veszélye**

- A ventilátor ki- és bemenetére mindenképpen védőrácsot kell felszerelni, kivéve, ha a ventilátor fixen rögzített é közvetlenül a csővezetékrendszer- hez van csatlakoztatva, lásd az [Ábra 4.](#)
- Egy csővezetéknek vagy egy tömlőnek mindig illeszkednie kell az N40-es ventilátor bemenetre, lásd az [Ábra 5.](#)

Győződjön meg róla, hogy a ventilátor egységek nem sérültek meg szállítás közben.

Az állvány nélküli ventilátorok úgy lettek tervezve, hogy közvetlenül egy másik Nederman termékre lehessen őket szerelni.

Ha a ventilátor állvánnyal (lásd a kiegészítőket az utolsó oldalon) a falra vagy a plafonra van rögzítve, a fal vagy plafon anyagához való rezgésbiztos rögzítőcsavarokat kell használni. Mindegyik csavarnak ki kell bírnia minimum 800 N nyomatókot.

Ha a ventilátort épületen belül használjuk, és nincs egy másik Nederman termékhez rögzítve, a lehető legközelebb célszerű elhelyezni a kimenethez, hogy a csővezetékben vákuum legyen.

**MEGJEGYZÉS!**

Az elmenő légcsatornának egyenesnek és a lehető legrövidebbnek kell lenni. A teljes rendszer nyomásesését a telepítés tervezőjének vagy a felhasználónak kell figyelembe vennie.

4.2 Elektromos üzembe helyezés

**VIGYÁZAT! Személyi sérülés veszélye**

Minden elektromos munkát képzett villanszerelőnek kell elvégeznie, a helyi előírásoknak megfelelően.

Ellenőrizzük, hogy az elektromos hálózat feszültsége megegyezik-e a ventilátor adattábláján lévővel. Aztán csatlakoztassuk a ventilátort a ventilátor csatlakozódobozában lévő kapcsolási rajz szerint.

Ajánlott, hogy a ventilátort ellássuk egy zárható biztonsági kapcsolóval az elektromos hálózat összekötő kábelén. Ajánlott, hogy az elektromos berendezés mindig tartalmazzon egy motortúlterhelés-védőt.

Változtatható sebességű meghajtó nem lehetséges normál motoros egyfázisú ventilátoroknál. Háromfázisú ventilátorokhoz frekvencia átalakító használható (maximális frekvencia = névleges frekvencia).

5 Használat

5.1 Indítási útmutató

**VIGYÁZAT! Személyi sérülés veszélye**

- A ventilátort nem szabad csatlakoztatott csővezeték nélkül használni, kivéve, ha a be- és kimenetek fel vannak szerelve védőráccsal.
- Ajánlott fülvédőt használni, ha a ventilátor közelében dolgozunk.

Ellenőrizzük a kábelcsatlakozások feszességét.

Ellenőrizzük az elektromos motor földelését.

Indítsuk el a ventilátort, és ellenőrizzük, hogy bármilyen túlzott remegés vagy zaj nélkül működik-e.

**MEGJEGYZÉS!**

3 fázisú ventilátoroknál ajánlott ellenőrizni, hogy a motor tengelye a megfelelő irányba forog-e (lásd a forgás irányát mutató nyilat a motoron). Ha a tengely rossz irányba forog, két csatlakozó kábelvezeték fel lett cserélve. Lásd az [Ábra 6.](#)

5.2 Kültéri használat / Kiürítés

Ha a ventilátort bármi védelem nélkül használjuk kültéren vagy más olyan körülmények között, ahol csapadék vagy lecsapódás lehet, meg kell győződnünk, hogy a motor el van látva ürítő lyukakkal. Győződjünk meg róla, hogy a lyukak nyitva vannak. Az egyik ventilátor burkolat legalján egy ürítő lyukat kell fúrni (kb. Ø 5mm), lásd az [Ábra 8.](#) Ezután kezeljük a lyukat korróziógátló szerrel.

Ha a motor nincs ellátva ürítő lyukakkal, a ventilátort mindenképpen megfelelő burkolattal kell védeni.

**MEGJEGYZÉS!**

A kábelnek hurokkal kell rendelkeznie, a tömszelence ajánlott védelmi osztálya pedig IP 68. Lásd: [Ábra 7.](#)

6 Karbantartás



VIGYÁZAT! Személyi sérülés veszélye

- Az izolátorral mindig csatlakoztassuk le a ventilátor motort az elektromos hálózatról, mielőtt bármilyen karbantartási vagy javítási munkát kezdenénk.
- Mindig használjunk légzőmaszkot, ha a rendszert javítjuk vagy szervizeljük.

A szerelési, javítási és karbantartási munkálatokat szakképzett személyzetnek kell végrehajtania, kizárólag eredeti Nederman cserealkatrészek felhasználásával. Forduljon a hivatalos képviselőhöz vagy a Nederman vállalathoz, ha a műszaki szervizzel kapcsolatos tanácsadásra van szüksége.



MEGJEGYZÉS!

Az ebben a fejezetben ismertetett szervizelési időközök a szakszerűen karbantartott egységekre vonatkoznak.

A karbantartás legalább évente egyszer szükséges.

- Figyeljünk, hogy hallunk-e zajokat, és érintsük meg a ventilátor burkolatot, hogy érezzük, ha a ventilátor rendellenes módon rezeg. Ha szükséges, csatlakoztassuk le a ventilátort az elektromos hálózatról, szereljük szét a ventilátort, és tisztítsuk ki a munkakereket. (N29-es ventilátoron nem lehetséges.) Használjunk légzőmaszkot.
- Ellenőrizzük a ventilátor szívóképességét. 3 fázisú ventilátoroknál ellenőrizzük, hogy a motortengely megfelelő irányba forog-e. Ellenőrizzük, hogy a csővezetékek nincsenek-e eltömődve. Tisztítsuk ki, ha szükséges. Használjunk légzőmaszkot.
- Ellenőrizzük az elektromos berendezést.
- Ellenőrizzük, hogy az elektromos hálózati kábel nem kopott vagy sérült.
- Ha a ventilátor állvánnyal lett a falra vagy a mennyezetre erősítve, ellenőrizzük az illeszkedést.
- Ellenőrizzünk és húzzunk meg minden laza csővezeték kapcsolatot.
- Ellenőrizzük, hogy a védőhálók a helyükön vannak-e.

7 Cserealkatrészek



FIGYELEM! A berendezés károsodásának veszélye

Kizárólag eredeti Nederman cserealkatrészeket és tartozékokat használjon.

Ha műszaki tanácsadásra vagy a cserealkatrészekkel kapcsolatos segítségre van szüksége, forduljon a hivatalos képviselőhöz vagy a Nederman vállalathoz, vagy látogassa meg a www.nederman.com webhelyet.

7.1 Cserealkatrészek rendelése

Cserealkatrészek rendelésekor mindig adja meg a következő adatokat:

- Cikkszám és ellenőrző szám (lásd a termékazonosító táblát).
- Cserealkatrész azonosítószáma és megnevezése (lásd: www.nederman.com/en/service/spare-part-search).
- A szükséges alkatrészek mennyisége.

8 Újrahasznosítás

A termék összetevői újrahasznosítható anyagokból készültek. Az összetevőket alkotó különböző anyagokat a helyi előírásoknak megfelelően kell kezelni. Ha kérdései merülnek fel a termék hasznos élettartamának végén esedékes leselejtezéssel kapcsolatban, forduljon a forgalmazóhoz vagy a Nederman vállalathoz.

Sommario

| | |
|--|----|
| Figuras | 7 |
| 1 Premessa | 57 |
| 2 Sicurezza | 57 |
| 2.1 Classificazione di informazioni importanti | 57 |
| 3 Descrizione | 57 |
| 3.1 Dimensioni | 57 |
| 3.2 Diagrammi di caduta di pressione | 57 |
| 3.3 Dati tecnici | 57 |
| 4 Installazione | 59 |
| 4.1 Istruzioni di montaggio N16/24/27/29/40 | 59 |
| 4.2 Impianto elettrico | 59 |
| 5 Utilizzo | 59 |
| 5.1 Istruzioni per l'avviamento | 59 |
| 5.2 Utilizzo in esterni / Drenaggio | 59 |
| 6 Manutenzione | 59 |
| 7 Ricambi | 60 |
| 7.1 Ordinazione di ricambi | 60 |
| 8 Riciclaggio | 60 |

1 Premessa

Grazie per aver utilizzato un prodotto Nederman!

Il gruppo Nederman è leader mondiale nella fornitura e nello sviluppo di prodotti e soluzioni per il settore delle tecnologie ambientali. I nostri prodotti innovativi filtreranno, puliranno e ricicleranno negli ambienti più esigenti. I prodotti e le soluzioni ti aiuteranno a migliorare la tua produttività, ridurre i costi e anche l'impatto ambientale dei processi industriali.

Il presente manuale è una guida all'installazione, all'uso e alla manutenzione del prodotto. Leggerlo con attenzione prima di utilizzare il prodotto o di sottoporlo a manutenzione. Sostituirlo immediatamente in caso di smarrimento o danneggiamento. Nederman si riserva il diritto, senza preavviso, di modificare e migliorare i propri prodotti, inclusa la documentazione.

Questo prodotto è progettato per soddisfare i requisiti delle direttive CE. Per mantenere tale stato, tutti i lavori di installazione, manutenzione e riparazione devono essere effettuati da personale qualificato utilizzando esclusivamente ricambi originali. Contattare il rivenditore più vicino o Nederman per consigli relativi all'assistenza tecnica e per richiedere i ricambi. In caso di componenti danneggiati o mancanti al momento della consegna del prodotto, avvisare immediatamente il corriere o il concessionario Nederman locale.

2 Sicurezza

2.1 Classificazione di informazioni importanti

Il presente documento contiene informazioni importanti presentate come avvertenze, precauzioni o note:



AVVERTENZA! Rischio di lesioni personali
Le avvertenze indicano un potenziale pericolo per la salute e la sicurezza del personale e come questo pericolo può essere evitato.



ATTENZIONE! Rischio di danni all'apparecchiatura

Attenzione indica un potenziale pericolo per il prodotto, ma non per il personale, e come questo pericolo può essere evitato.



NOTA!

Le note contengono altre informazioni importanti per il personale.

3 Descrizione

N16/24/27/29/40 sono ventilatori centrifughi progettati principalmente per l'uso con prodotti per Nederman estrazione e ideali come aspiratori per fumi di saldatura, vapore, polvere o per erogare aria fresca quando si svolgono attività in spazi ristretti e chiusi. Ventilatori compatti e di facile impiego per uso sia interno che esterno.

3.1 Dimensioni

Vedere da [Figura 1](#) a [Figura 3](#).



NOTA!

Le dimensioni possono variare per l'aggiornamento dei motori.

3.2 Diagrammi di caduta di pressione

Vedere da [Figura 9](#) a [Figura 12](#).

- A Pressione totale
- B Pressione statica
- C Pressione totale (1,1 kW, 1.5 hp)
- D Pressione statica (1,1 kW, 1.5 hp)
- E Pressione totale (1,5 kW, 2.0 hp)
- F Pressione statica (1,5 kW, 2.0 hp)
- G Pressione totale (2,2 kW, 3.0 hp)
- H Pressione statica (2,2 kW, 3.0 hp)

3.3 Dati tecnici

| Dati tecnici | |
|-------------------------|--------------------------------|
| Potenza del motore | Vedere targhetta prodotto |
| Velocità di rotazione | Vedere targa motore |
| Voltaggio / Fase | Vedere targa motore |
| Frequenza | Vedere targhetta prodotto |
| Corrente nominale | Vedere targa motore |
| Temperatura | -30°C a +40°C (-22°F a +104°F) |
| Temperatura flusso aria | Max. +60°C (+140°F) |

| Dati tecnici | |
|----------------------|-----------------------------|
| Classe di protezione | IP55 |
| Riciclaggio | 95 % del peso |
| Portata: | |
| • N16, 0.55 kW | 400-1250 m ³ /h* |
| • N24, 0.75 kW | 400-1500 m ³ /h* |
| • N24, 0.9 kW | 400-1750 m ³ /h* |
| • N27, 1.1 kW | 500-1400 m ³ /h* |
| • N27, 1.5 kW | 500-1950 m ³ /h* |
| • N29, 1.5 kW | 500-1500 m ³ /h* |
| • N29, 2.2 kW | 500-3000 m ³ /h* |
| • N40, 1.5 kW | 500-2500 m ³ /h* |
| • N40, 2.2 kW | 500-4000 m ³ /h* |
| Peso: | |
| • N16 | 13 kg (29 lbs) |
| • N24 | 17 kg (37 lbs) |
| • N27 | 17 kg (37 lbs) |
| • N29, 1.5 kW | 28 kg (62 lbs) |
| • N29, 2.2 kW | 32 kg (71 lbs) |
| • N40, 1.5 kW | 25 kg (55 lbs) |
| • N40, 2.2 kW | 29 kg (64 lbs) |
| Livello acustico:** | |
| • N 16 | 74-76 dB(A) |
| • N 24 | 75-79 dB(A) |
| • N 27 | 75-79 dB(A) |
| • N 29 | 70-80 dB(A) |
| • N 40 | 60-80 dB(A) |

4 Installazione

4.1 Istruzioni di montaggio N16/24/27/29/40

⚠ AVVERTENZA! Rischio di esplosione
L'elettroventilatore non deve essere installato in ambienti dove sussiste pericolo di esplosioni né utilizzato per il trasporto di gas/materie infiammabili o esplosivi.

⚠ AVVERTENZA! Rischio di lesioni personali

- Le retine di protezione devono essere installate sull'ingresso e l'uscita del ventilatore, a meno che il ventilatore non sia fissato e collegato direttamente al sistema di canalizzazione, vedere [Figura 4](#).
- Sull'ingresso del ventilatore N40 devono essere sempre installati un condotto oppure un flessibile, vedere [Figura 5](#).

Controllare che il ventilatore non sia stato danneggiato durante il trasporto.

I ventilatori non dotati di supporto sono destinati all'installazione diretta su altri prodotti Nederman.

Se il ventilatore è dotato di supporto per muro/soffitto, utilizzare dadi e viti di fissaggio idonei al tipo di muro/soffitto. I bulloni devono resistere ad un momento torcente minimo di 800 N.

Se l'elettroventilatore deve essere utilizzato in interni, e non è installato su un altro prodotto Nederman, installarlo il più vicino possibile all'uscita del locale in modo da migliorare la depressione nella canalizzazione.

ⓘ NOTA!
Il tubo dell'aria di scarico deve avere un percorso diretto e il più breve possibile. La caduta di pressione per l'intero sistema deve essere presa in considerazione dal progettista dell'installazione o dall'utente.

4.2 Impianto elettrico

⚠ AVVERTENZA! Rischio di lesioni personali
Tutti i lavori sull'impianto elettrico devono essere effettuati da un elettricista qualificato nel rispetto delle norme locali.

Controllare che la tensione della rete sia la stessa della tensione indicata sul ventilatore. Collegare poi il ventilatore in base al diagramma fili nella scatola connessioni del ventilatore. Si consiglia di dotare il ventilatore di un interruttore di sicurezza bloccabile sul cavo di rete. L'installazione elettrica deve sempre comprendere una termica motore.

I ventilatori a 1 fase con motore standard non possono funzionare a velocità variabile. Per i ventilatori a 3

fasi può essere utilizzato un convertitore di frequenza (frequenza max = frequenza nominale).

5 Utilizzo

5.1 Istruzioni per l'avviamento

⚠ AVVERTENZA! Rischio di lesioni personali

- L'elettroventilatore non deve essere utilizzato a bocca libera (senza flessibili), a meno che l'entrata e l'uscita non siano dotate di idonee retine di protezione.
- Utilizzare protezioni acustiche quando si lavora vicino all'elettroventilatore.

Controllare che le viti siano serrate.

Controllare la messa a terra del motore.

Avviare il ventilatore e controllare che non presenti vibrazioni o rumori anomali.

ⓘ NOTA!
Con i ventilatori a 3 fasi si deve controllare che l'asse motore ruoti nella direzione giusta (vedi freccia di rotazione sul motore). In caso di errata rotazione del motore, occorre invertire due delle fasi. Vedere [Figura 6](#).

5.2 Utilizzo in esterni / Drenaggio

Se il ventilatore deve essere utilizzato senza protezione all'esterno oppure in altre circostanze, in presenza di umidità o di condensa, controllare che il motore sia dotato di fori di spurgo e che i fori siano pervi. E' necessario praticare un foro di spurgo nel livello inferiore di uno dei carter del ventilatore (circa Ø 5 mm), vedere [Figura 8](#). Applicare quindi al foro anticorrosivo.

Se il motore non è dotato di fori di spurgo, proteggere il ventilatore con un coperchio adatto.

ⓘ NOTA!
Il cavo deve essere dotato di un anello e si consiglia un pressacavo in classe di protezione IP 68. Vedere [Figura 7](#).

6 Manutenzione

⚠ AVVERTENZA! Rischio di lesioni personali

- Scollegare sempre il cavo di collegamento principale prima di qualsiasi intervento di manutenzione o riparazione.
- Utilizzare una mascherina antipolvere quando si effettuano interventi di riparazione e manutenzione del sistema.

L'installazione, le riparazioni e la manutenzione devono essere effettuati da personale qualificato utilizzando esclusivamente ricambi originali Nederman. Contattare il rivenditore più vicino o Nederman per consigli relativi all'assistenza tecnica.

**NOTA!**

Gli intervalli nel presente capitolo presuppongono che l'unità venga sottoposta a manutenzione professionale.

Si consiglia di eseguire la manutenzione almeno una volta all'anno.

- Prestare attenzione a eventuali rumori e toccare con la mano i carter per controllare che il ventilatore non presenti vibrazioni anomale. All'occorrenza, scollegare il motorino del ventilatore dall'alimentazione, smontare il ventilatore e pulire la ventola (operazione non eseguibile sul ventilatore N29). Indossare la mascherina antipolvere.
- Controllare la potenza di aspirazione del ventilatore. Con i ventilatori a 3 fasi si deve controllare che l'asse motore ruoti nella direzione giusta. Controllare che i flessibili non siano otturati. Pulire all'occorrenza. Indossare la mascherina antipolvere.
- Controllare i collegamenti elettrici.
- Controllare che il cavo di collegamento principale non sia usurato oppure danneggiato.
- Se il ventilatore è stato installato con supporto a muro/soffitto, controllare che l'installazione sia stata eseguita correttamente.
- Controllare che i raccordi dei tubi siano serrati correttamente.
- Controllare che le retine di protezione siano in posizione corretta.

IT

to al termine della sua vita contattare il rivenditore o Nederman.

7 Ricambi

**ATTENZIONE! Rischio di danni all'apparecchiatura**

Utilizzare esclusivamente ricambi originali Nederman.

Contattare il rivenditore autorizzato più vicino o Nederman per consulenze in caso di interventi tecnici o di necessità di ricambi. Vedere anche www.nederman.com.

7.1 Ordinazione di ricambi

Nell'ordine dei ricambi indicare sempre:

- Numero di serie e numero di controllo (fare riferimento alla targhetta identificativa del prodotto).
- Il numero di riferimento del particolare di ricambio e il nome (vedi www.nederman.com/en/service/spare-part-search).
- Quantità desiderata di ricambi.

8 Riciclaggio

Il prodotto è progettato in modo da riciclare i materiali che lo compongono. I differenti tipi di materiali devono essere gestiti in conformità alle normative locali vigenti. In caso di dubbi sullo smaltimento del prodot-

Inhoudsopgave

| | |
|---|----|
| Afbeeldingen | 7 |
| 1 Voorwoord | 62 |
| 2 Veiligheid | 62 |
| 2.1 Indeling van belangrijke informatie | 62 |
| 3 Beschrijving | 62 |
| 3.1 Afmetingen | 62 |
| 3.2 Drukval grafieken | 62 |
| 3.3 Technische gegevens | 62 |
| 4 Installatie | 64 |
| 4.1 Montagehandleiding N16/24/27/29/40 | 64 |
| 4.2 Elektrische installatie | 64 |
| 5 Gebruik | 64 |
| 5.1 Startinstructies | 64 |
| 5.2 Gebruik buitenshuis / Afwatering | 64 |
| 6 Onderhoud | 65 |
| 7 Reserveonderdelen | 65 |
| 7.1 Bestellen van reserveonderdelen | 65 |
| 8 Recycling | 65 |

1 Voorwoord

Bedankt voor het gebruik van een Nederman product!

De Nederman Group is een wereldwijd toonaangevende leverancier en ontwikkelaar van producten en oplossingen voor de milieutechnologiesector. Onze innovatieve producten filteren, reinigen en recycleren in de meest veeleisende omgevingen. Nederman's producten en oplossingen helpen u uw productiviteit te verbeteren, kosten te verlagen en ook de impact op het milieu van industriële processen te verminderen.

Lees alle productinformatie en het typeplaatje op het product aandachtig alvorens dit product te installeren, te gebruiken en er onderhoud aan te verrichten. Vervang de documentatie onmiddellijk indien deze verloren geraakt is. Nederman behoudt zich het recht voor om zijn producten, inclusief de documentatie, zonder voorafgaande kennisgeving te wijzigen en/of te verbeteren.

Dit product voldoet aan de eisen van de desbetreffende EG-richtlijnen. Om deze status te behouden mogen installatie, onderhoud en reparaties alleen worden uitgevoerd door gekwalificeerd personeel en dit uitsluitend met originele reserveonderdelen en accessoires van Nederman. Neem contact op met uw dichtstbijzijnde erkende Nederman-dealer voor technisch advies en reserveonderdelen. Indien het product bij de levering is beschadigd of er ontbreken onderdelen, dienen het transportbedrijf en uw lokale Nederman-vertegenwoordiger hiervan onmiddellijk op de hoogte te worden gebracht.

2 Veiligheid

2.1 Indeling van belangrijke informatie

Dit document bevat belangrijke informatie in de vorm van waarschuwingen, aanmaningen om voorzichtig te zijn of opmerkingen:



WAARSCHUWING! Gevaar voor persoonlijk letsel

Waarschuwingen wijzen op een mogelijk gevaar voor de gezondheid en veiligheid van het personeel en hoe dat gevaar kan worden vermeden.



VOORZICHTIG! Gevaar voor schade aan het materieel

Waarschuwingen duiden op een mogelijk gevaar voor het product, maar niet voor het personeel, en hoe dat gevaar kan worden vermeden.



OPMERKINGEN!

Opmerkingen bevatten extra informatie die belangrijk zijn voor het personeel.

3 Beschrijving

N16/24/27/29/40 zijn centrifugaal ventilatoren die voornamelijk zijn ontworpen voor gebruik met Nederman afzuigproducten en ideaal als afzuiger voor lasrook, stoom, stof of voor het leveren van frisse lucht tijdens werkzaamheden in besloten en afgesloten ruimtes. Compacte en gebruiksvriendelijke ventilatoren voor zowel binnen als buiten.

3.1 Afmetingen

Zie [Afbeelding 1](#) naar [Afbeelding 3](#).



OPMERKINGEN!

Afmetingen kunnen afwijken als gevolg van bijgewerkte motoren.

3.2 Drukval grafieken

Zie [Afbeelding 9](#) naar [Afbeelding 12](#).

- A Totale druk
- B Statische druk
- C Totale druk (1,1 kW, 1.5 hp)
- D Statische druk (1,1 kW, 1.5 hp)
- E Totale druk (1,5 kW, 2.0 hp)
- F Statische druk (1,5 kW, 2.0 hp)
- G Totale druk (2,2 kW, 3.0 hp)
- H Statische druk (2,2 kW, 3.0 hp)

3.3 Technische gegevens

| Technische gegevens | |
|---------------------|----------------------|
| Motorvermogen | Zie typeplaatje |
| Rotatiesnelheid | Raadpleeg motorlabel |
| Spanning/Fase | Raadpleeg motorlabel |
| Frequentie | Zie typeplaatje |

| Technische gegevens | |
|------------------------|------------------------------------|
| Bedrijfsstroom | Raadpleeg motorlabel |
| Temperatuur | -30°C tot +40°C (-22°F tot +104°F) |
| Luchtstroomtemperatuur | Max. +60°C (+140°F) |
| Beschermingsklasse | IP55 |
| Recycling | 95 % Gew. |
| Capaciteit: | |
| • N16, 0.55 kW | 400-1250 m ³ /h* |
| • N24, 0.75 kW | 400-1500 m ³ /h* |
| • N24, 0.9 kW | 400-1750 m ³ /h* |
| • N27, 1.1 kW | 500-1400 m ³ /h* |
| • N27, 1.5 kW | 500-1950 m ³ /h* |
| • N29, 1.5 kW | 500-1500 m ³ /h* |
| • N29, 2.2 kW | 500-3000 m ³ /h* |
| • N40, 1.5 kW | 500-2500 m ³ /h* |
| • N40, 2.2 kW | 500-4000 m ³ /h* |
| Gewicht: | |
| • N16 | 13 kg (29 lbs) |
| • N24 | 17 kg (37 lbs) |
| • N27 | 17 kg (37 lbs) |
| • N29, 1.5 kW | 28 kg (62 lbs) |
| • N29, 2.2 kW | 32 kg (71 lbs) |
| • N40, 1.5 kW | 25 kg (55 lbs) |
| • N40, 2.2 kW | 29 kg (64 lbs) |
| Geluidsniveau:** | |
| • N 16 | 74-76 dB(A) |
| • N 24 | 75-79 dB(A) |
| • N 27 | 75-79 dB(A) |
| • N 29 | 70-80 dB(A) |

Technische gegevens

• N 40

60-80 dB(A)

4 Installatie

4.1 Montagehandleiding N16/24/27/29/40

⚠ WAARSCHUWING! Explosiegevaar
De ventilator mag niet in een explosieve omgeving worden geplaatst of worden gebruikt voor het transporteren van brandgevaarlijke of explosieve gassen/stof.

⚠ WAARSCHUWING! Gevaar voor persoonlijk letsel

- Er moeten beschermgaasjes aan de in- en uitlaat van de ventilator worden gemonteerd, tenzij de ventilator niet is vastgemonteerd en rechtstreeks verbonden is met het kanaalsysteem zie [Afbeelding 4](#).
- Kanalen en slangen mogen uitsluitend aan de N40 ventilatorinlaat worden bevestigd, zie [Afbeelding 5](#).

Controleer of de ventilator niet is beschadigd tijdens het transport.

Ventilatoren zonder statief zijn zo ontwikkeld dat ze rechtstreeks op andere Nederman-producten kunnen worden gemonteerd.

Indien de ventilator met stander aan de wand of het plafond is bevestigd, maak gebruik van trillingsbestendige bevestigingsbouten en moeren die zijn afgestemd op het wand/plafondmateriaal. De schroeven moeten elk een belasting van 800 N aankunnen.

Bij gebruik binnenshuis, en als de ventilator niet op andere Nederman-producten gemonteerd is, moet de ventilator zo dicht mogelijk bij de uitlaat in de kamer gemonteerd worden om zo onderdruk in het kanaalsysteem te bewerkstelligen.

ⓘ OPMERKINGEN!
Het luchtafvoerkanal moet zo recht en zo kort mogelijk lopen. Drukverlies voor het volledige systeem moet worden overwogen door de installatieontwerper of de gebruiker.

4.2 Elektrische installatie

⚠ WAARSCHUWING! Gevaar voor persoonlijk letsel
Alle werkzaamheden aan elektronica dienen door gekwalificeerde elektriciens te worden uitgevoerd volgens de plaatselijk geldende verordeningen.

Controleer of de netspanning ter plaatse overeenkomt met de spanning op de kenplaat van de ventilator. Sluit vervolgens de ventilator aan volgens de aanwijzingen in de aansluitdoos van de ventilator. Het wordt aanbevolen de ventilator te voorzien van een te blokkeren veiligheidsschakelaar op de hoofdkabel. Er moet altijd een overstrombeveiliging bij de elektrische installatie zitten.

Bij 1-fase ventilatoren met een standaard motor is geen regelaandrijving mogelijk. Bij 3-fase ventilatoren kan een frequentie-omzetter gebruikt worden (max. frequentie = nominale frequentie).

5 Gebruik

5.1 Startinstructies

⚠ WAARSCHUWING! Gevaar voor persoonlijk letsel

- De ventilator mag niet gebruikt worden als de leidingwerk niet is aangesloten, tenzij in en uitlaat zijn voorzien van goedgekeurde veiligheidsroosters.
- Bij verblijf in de nabijheid van de ventilator moeten gehoorbeschermers gebruikt worden.

Controleer of de schroefverbindingen goed vastzitten.

Controleer de aarding van de ventilatormotor.

Start de ventilator en controleer of deze geen overmatige trillingen of geluiden voortbrengt.

ⓘ OPMERKINGEN!
Bij 3-fase ventilatoren dient eveneens de draairichting gecontroleerd te worden (zie de pijl op de motor). Indien de draairichting onjuist is dienen twee van de fasen met elkaar verwisseld te worden. Zie [Afbeelding 6](#).

5.2 Gebruik buitenshuis / Afwatering

Indien de ventilator zonder bescherming buitenshuis wordt gebruikt of in een vochtige omgeving waar condens kan ontstaan, moet worden gecontroleerd of de motor is voorzien van afwateringsgaten. Zorg ervoor dat deze gaten open zijn. Er moet een afwateringsgat geboord worden (ongeveer Ø 5mm) op het laagste niveau in een van de ventilatorbehuizingen. Behandel het gat daarna met een roestweermiddel. Zie [Afbeelding 8](#).

Indien de motor niet is voorzien van afwateringsgaten, moet de ventilator worden beschermd met een geschikte kap.

**OPMERKINGEN!**

Kabel moet een lus hebben en het is raadzaam dat de wartel een beschermingsklasse heeft IP 68. Zie [Afbeelding 7](#).

6 Onderhoud

**WAARSCHUWING! Gevaar voor persoonlijk letsel**

- Zet de veiligheidsschakelaar van de ventilator altijd uit, voordat er met onderhoud- of reparatiewerkzaamheden wordt begonnen.
- Gebruik altijd een masker met stoffilter bij reparatie van en onderhoud aan het systeem.

Installatie, reparaties en onderhoud moeten worden uitgevoerd door gekwalificeerd personeel met behulp van uitsluitend originele reserveonderdelen van Nederman. Neem contact op met de dichtstbijzijnde geautoriseerde dealer of met Nederman voor advies over technische service.

**OPMERKINGEN!**

De intervallen in dit hoofdstuk gelden wanneer de unit professioneel onderhouden wordt.

Onderhoud wordt aanbevolen minstens één keer per jaar.

- Controleer op vreemde geluiden en raak de behuizing met de hand aan om na te gaan of de ventilator ongebruikelijke trillingen voortbrengt. Indien noodzakelijk de ventilatormotor van de spanning halen, de ventilator demonteren en de waaier schoonmaken (niet mogelijk bij de N29 ventilator). Gebruik een masker.
- Controleer het aanzuigvermogen van de ventilator. Bij 3-fase ventilatoren dient eveneens de draairichting gecontroleerd te worden. Controleer of de kanalen geblokkeerd worden. Indien noodzakelijk schoonmaken. Gebruik een masker.
- Controleer de elektrische installatie.
- Controleer of de stroomkabel versleten of beschadigd is.
- Indien de ventilator met een statief aan de wand of het plafond is gemonteerd, dient u deze installatie te controleren.
- Controleer de kanaalaansluitingen en zet losse aansluitingen vast.
- Controleer of het beschermingsgas goed is gemonteerd.

7 Reserveonderdelen

**VOORZICHTIG! Gevaar voor schade aan het materieel**

Gebruik uitsluitend originele reserveonderdelen en accessoires van Nederman.

Neem contact op met uw dichtstbijzijnde erkende dealer of met Nederman voor technisch advies en reserveonderdelen. Zie ook www.nederman.com.

7.1 Bestellen van reserveonderdelen

Wanneer u reserveonderdelen bestelt dient u steeds het volgende te vermelden:

- Onderdeel- en controlenummer (raadpleeg het productidentificatieplaatje).
- Detailnummer en naam van het reserveonderdeel (zie www.nederman.com/en/service/spare-part-search).
- Het aantal benodigde onderdelen.

8 Recycling

Het product werd ontworpen met recycleerbare materialen. De verschillende materiaalsoorten moeten overeenkomstig de betreffende plaatselijke wetgeving worden verwerkt. Neem contact op met de distributeur of met Nederman indien u twijfels hebt over het tot schroot verwerken van het product aan het einde van zijn levensduur.

Innholdsfortegnelse

| | |
|---|----|
| Figurer | 7 |
| 1 Forord | 67 |
| 2 Sikkerhet | 67 |
| 2.1 Klassifisering av viktig informasjon | 67 |
| 3 Beskrivelse | 67 |
| 3.1 Mål | 67 |
| 3.2 Trykkfall-diagrammer | 67 |
| 3.3 Tekniske data | 67 |
| 4 Installasjon | 69 |
| 4.1 Monteringsinstruksjon N16/24/27/29/40 | 69 |
| 4.2 Elektrisk installasjon | 69 |
| 5 Bruk | 69 |
| 5.1 Startanvisning | 69 |
| 5.2 Bruk utendørs / drenering | 69 |
| 6 Vedlikehold | 69 |
| 7 Reservedeler | 70 |
| 7.1 Bestille reservedeler | 70 |
| 8 Resirkulering | 70 |

1 Forord

Takk for at du bruker et Nederman-produkt!

Nederman Group er en verdensledende leverandør og utvikler av produkter og løsninger for miljøteknologisektoren. Våre innovative produkter vil filtrere, rengjøre og resirkulere i de mest krevende miljøene. Produkter og løsninger vil hjelpe deg med å forbedre produktiviteten, redusere kostnadene og også redusere miljøpåvirkningen fra industrielle prosesser.

Les all dokumentasjon og produktets merkeplate før installasjon, bruk og service av produktet. Hvis du ikke finner igjen dokumentasjonen, må du umiddelbart skaffe en ny. Nederman forbeholder seg retten til å endre og forbedre produktene, inkludert dokumentasjonen, uten ytterligere forvarsel.

Dette produktet er konstruert for å oppfylle kravene i de relevante EU-direktivene. For å opprettholde denne statusen skal installasjon, reparasjon og vedlikehold utføres av kvalifisert personell som bare bruker originale reservedeler. Ta kontakt med din nærmeste autoriserte forhandler eller Nederman for å få råd og tips om teknisk service og for bestilling av reservedeler. Ved skade eller mangler av deler må du umiddelbart informere transportøren og din lokale Nederman-representant.

2 Sikkerhet

2.1 Klassifisering av viktig informasjon

Dette dokumentet inneholder viktig informasjon som vises enten som Advarsel, Forsiktig eller Merk:

⚠ ADVARSEL! Fare for personskade
Advarsler indikerer en potensiell fare for personers helse og sikkerhet, samt hvordan man kan unngå å bli utsatt for faren.

⚠ FORSIKTIGHET! Fare for skade på utstyr
Forsiktig indikerer en potensiell fare for produktet, men ikke for personell, og hvordan denne faren kan unngås.

ⓘ MERK!
Merknader inneholder annen informasjon som brukeren bør være spesielt klar over.

3 Beskrivelse

N16/24/27/29/40 er sentrifugalvifter som hovedsakelig er beregnet på bruk i forbindelse med av-sugsproduktene fra Nederman, og som er ideell som avtrekk for sveisedamp, damp, støv eller for å tilføre frisk luft ved arbeid på trange steder. Kompakte og brukervennlige vifter for bruk både innendørs og utendørs.

3.1 Mål

Se [Figur 1](#) til [Figur 3](#).

ⓘ MERK!
Målene kan variere på grunn av oppdaterte motorer.

3.2 Trykkfall-diagrammer

Se [Figur 9](#) til [Figur 12](#).

- A Totalt trykk
- B Statisk trykk
- C Totalt trykk (1,1 kW, 1.5 hp)
- D Statisk trykk (1,1 kW, 1.5 hp)
- E Totalt trykk (1,5 kW, 2.0 hp)
- F Statisk trykk (1,5 kW, 2.0 hp)
- G Totalt trykk (2,2 kW, 3.0 hp)
- H Statisk trykk (2,2 kW, 3.0 hp)

3.3 Tekniske data

| Tekniske data | |
|-----------------------|------------------------------------|
| Motoreffekt | Se produktetikett |
| Motorhastighet | Se motoretiketten |
| Spenning/fase | Se motoretiketten |
| Frekvens | Se produktetikett |
| Nominell strøm | Se motoretiketten |
| Temperatur | -30°C til +40°C (-22°F til +104°F) |
| Luftstrøm temperature | Maks +60°C (+140°F) |
| Kapslingsgrad | IP55 |

| Tekniske data | |
|----------------|-----------------------------|
| Resirkulering | 95 % av vekten. |
| Kapacitet: | |
| • N16, 0.55 kW | 400-1250 m ³ /h* |
| • N24, 0.75 kW | 400-1500 m ³ /h* |
| • N24, 0.9 kW | 400-1750 m ³ /h* |
| • N27, 1.1 kW | 500-1400 m ³ /h* |
| • N27, 1.5 kW | 500-1950 m ³ /h* |
| • N29, 1.5 kW | 500-1500 m ³ /h* |
| • N29, 2.2 kW | 500-3000 m ³ /h* |
| • N40, 1.5 kW | 500-2500 m ³ /h* |
| • N40, 2.2 kW | 500-4000 m ³ /h* |
| Vekt: | |
| • N16 | 13 kg (29 lbs) |
| • N24 | 17 kg (37 lbs) |
| • N27 | 17 kg (37 lbs) |
| • N29, 1.5 kW | 28 kg (62 lbs) |
| • N29, 2.2 kW | 32 kg (71 lbs) |
| • N40, 1.5 kW | 25 kg (55 lbs) |
| • N40, 2.2 kW | 29 kg (64 lbs) |
| Støynivå:** | |
| • N 16 | 74-76 dB(A) |
| • N 24 | 75-79 dB(A) |
| • N 27 | 75-79 dB(A) |
| • N 29 | 70-80 dB(A) |
| • N 40 | 60-80 dB(A) |

4 Installasjon

4.1 Monteringsinstruksjon N16/24/27/29/40



ADVARSEL! Eksplosjonsfare

Viften skal ikke monteres på steder der det er eksplosjonsfare. Den skal heller ikke brukes til å transportere brennbare eller eksplosive gasser eller støv.



ADVARSEL! Fare for personskade

- Det skal monteres nett på viftens innløp og utløp, med mindre viften er fast montert og koblet til kanalsystemet, se [Figur 4](#).
- Det skal alltid kobles en kanal eller slange til N40 vifteinnløpet, se [Figur 5](#).

Kontroller at vifteenheten ikke har blitt skadet under transport.

Vifter uten stativ skal monteres direkte på andre Nederman-produkter.

Hvis viften monteres med stativ på vegg eller i tak, skal det brukes bolter som tåler vibrasjoner, og som er egnet for materialet i taket eller veggen. Hver bolt må tåle et moment på minimum 800 N.

Hvis viften skal brukes innendørs og ikke er montert på et annet Nederman-produkt, skal den monteres si nær utløpet i rommet som mulig, slik at det blir undertrykk i kanalen.



MERK!

Avkastkanalen skal trekkes så rett og kort som mulig. Trykkfall for komplett system skal vurderes av installasjonsdesigneren eller brukeren.

4.2 Elektrisk installasjon



ADVARSEL! Fare for personskade

Alt elektrisk arbeid må utføres av en kvalifisert elektriker i henhold til lokale forskrifter.

Kontroller at strømmen tilsvarer det som er opplyst på viftens merkeplate. Koble deretter viften som vist i koblings skjemaet i viftens koblingsboks. Det anbefales å utstyre viften med en sikkerhetsbryter på strømkabelen, som kan låses. Det skal alltid monteres overbelastningsvern for motoren.

Variabel hastighet er ikke mulig med enfasevifter med standardmotor. Til trefasevifter kan det brukes en frekvensomformer (maks. frekvens = nominell frekvens).

5 Bruk

5.1 Startanvisning



ADVARSEL! Fare for personskade

- Viften skal ikke brukes hvis den ikke er koblet til en kanal med mindre inn- og utløpet er utstyrt med egnet beskyttelsesnett.
- Bruk hørselvern når du arbeider i nærheten av viften.

Kontroller at kablene sitter godt fast.

Kontroller at elmotoren er jordet.

Start viften, og kontroller at den fungerer som den skal uten store vibrasjoner eller mye støy.



MERK!

På trefasevifter anbefales det å kontrollere at akselen roterer riktig vei (se rotasjonspilen på motoren). Hvis akselen roterer feil vei, må to av kablene byttes om. Se [Figur 6](#).

5.2 Bruk utendørs / drenering

Hvis viften skal brukes utendørs uten beskyttelse eller i andre situasjoner der det kan være fuktighet og kondens, må du påse at motoren har drenerings-hull. Disse hullene må være åpne. Det må bores et dreneringshull (cirka Ø 5 mm) på det laveste punktet i viftedekelet, se [Figur 8](#). Deretter må hullet rustbeskyttes.

Hvis motoren ikke har dreneringshull, må viften beskyttes med egnet deksel.



MERK!

Kabelen skal ha en løkke og det anbefales at kabelgjennomføringen er i henhold til kapslingsgrad IP 68. Se [Figur 7](#).

6 Vedlikehold



ADVARSEL! Fare for personskade

- Strømmen må alltid kobles fra viftemotoren før du påbegynner vedlikehold eller reparasjoner.
- Bruk alltid maske når du reparerer og vedlikeholder systemet.

Installasjon, reparasjon og vedlikehold må utføres av kvalifisert personell som bare bruker originale reservedeler fra Nederman. Ta kontakt med din nærmeste autoriserte forhandler eller Nederman for å få råd og tips om teknisk service.



MERK!

Intervallene i dette kapitlet er basert på at enheten vedlikeholdes profesjonelt.

Vedlikehold anbefales minst én gang i året.

- Lytt etter støy og ta på viftedekselet med hånden for å finne ut om det er unormale vibrasjoner i viften. Ved behov må strømmen kobles fra viften, slik at du kan rengjøre impelleren (ikke mulig på N29-vifte). Bruk maske.
- Kontroller viftens sugekapasitet. På trefasevifter må du kontrollere at motorakselen roterer riktig vei. Kontroller at kanalene ikke er blokkert. Rengjør ved behov (bruk maske).
- Kontroller den elektriske installasjonen.
- Kontroller at strømkabelen ikke er slitt eller skadet.
- Hvis viften er montert på stativ på vegg eller i taket, må du kontrollere festet.
- Kontroller og etterstram løse kanalskjøter.
- Kontroller at beskyttelsesnettene er på plass.

7 Reservedeler



FORSIKTIGHET! Fare for skade på utstyr

Bruk bare originale Nederman reservedeler og tilbehør.

Ta kontakt med din nærmeste autoriserte forhandler eller Nederman for råd og tips om teknisk service eller hvis du trenger hjelp med reservedeler. Se også www.nederman.com.

NO

7.1 Bestille reservedeler

Når du skal bestille reservedeler, må du alltid oppgi følgende:

- Dele- og kontrollnummer (se produktidentifikasjonsplaten).
- Artikkelnnummer og navn på reservedelen (se www.nederman.com/en/service/spare-part-search).
- Antall deler som ønskes.

8 Resirkulering

Produktet er konstruert slik at komponentmaterialene kan resirkuleres. De ulike materialtypene må håndteres iht. gjeldende lokale forskrifter. Ta kontakt med distributøren eller Nederman hvis du er i tvil når du skal kaste produktet etter endt levetid.

Spis treści

| | |
|--|----|
| Rysunki | 7 |
| 1 Wprowadzenie | 72 |
| 2 Bezpieczeństwo | 72 |
| 2.1 Klasyfikacja ważnych informacji | 72 |
| 3 Opis | 72 |
| 3.1 Pomiary | 72 |
| 3.2 Schematy spadku ciśnienia | 72 |
| 3.3 Dane techniczne | 72 |
| 4 Instalacja | 74 |
| 4.1 Instrukcja montażu N16/24/27/29/40 | 74 |
| 4.2 Instalacja elektryczna | 74 |
| 5 Użytkowanie | 74 |
| 5.1 Instrukcje dotyczące uruchomienia | 74 |
| 5.2 Eksploatacja na zewnątrz / opróżnianie | 74 |
| 6 Konserwacja | 75 |
| 7 Części zamienne | 75 |
| 7.1 Zamawianie części zamiennych | 75 |
| 8 Recykling | 75 |

1 Wprowadzenie

Dziękujemy za korzystanie z Nederman produktu!

Nederman Grupa jest wiodącym na świecie dostawcą i producentem produktów i rozwiązań dla sektora technologii środowiskowych. Nasze innowacyjne produkty mogą filtrować, czyścić i poddać recyklingowi w najbardziej wymagających środowiskach. Nederman produkty i rozwiązania pomogą Ci zwiększyć produktywność, obniżyć koszty, a także zmniejszyć wpływ procesów przemysłowych na środowisko.

Przed przystąpieniem do montażu, obsługi i serwisowania produktu uważnie zapoznaj się z wszelką dokumentacją produktu oraz z treścią jego tabliczki znamionowej. W razie zagubienia dokumentacji należy natychmiast pozyskać jej nowy egzemplarz. Firma Nederman zastrzega sobie prawo do modyfikowania i udoskonalania swoich produktów - w tym dokumentacji - bez uprzedniego powiadomienia.

Niniejsze urządzenie zostało zaprojektowane w sposób zapewniający zgodność z odpowiednimi dyrektywami WE. Utrzymanie tego stanu gwarantowane jest pod warunkiem wykonywania wszystkich prac związanych z instalacją, konserwacją i naprawami przez wykwalifikowanych pracowników oraz z wykorzystaniem wyłącznie oryginalnych części zamiennych. W razie konieczności skorzystania z pomocy serwisu technicznego i zamówienia części zamiennych skontaktuj się z firmą Nederman lub jej najbliższym autoryzowanym dystrybutorem. W przypadku uszkodzenia lub brakujących części należy natychmiast poinformować o tym lokalnego przedstawiciela firmy Nederman.

2 Bezpieczeństwo

2.1 Klasyfikacja ważnych informacji

Niniejszy dokument zawiera ważne informacje przedstawione w postaci ostrzeżeń, przestroż i uwag.



OSTRZEŻENIE! Ryzyko obrażeń ciała

Ostrzeżenia wskazują na potencjalne zagrożenia dla zdrowia i bezpieczeństwa personelu oraz informują o sposobach unikania takich zagrożeń.



PRZESTROGA! Ryzyko uszkodzenia sprzętu

„Przestrogi” wskazują potencjalne zagrożenia dla produktu, lecz nie dla personelu, oraz precyzują, jak ich uniknąć.



UWAGA!

W uwagach zamieszczono inne ważne dla użytkowników informacje.

3 Opis

N16/24/27/29/40 są wentylatorami odśrodkowymi przeznaczonymi głównie do stosowania z Nederman produktami odciągowymi i idealnie nadają się do odciągania dymów spawalniczych, pary, pyłu lub do dostarczania świeżego powietrza podczas pracy w pomieszczeniach zamkniętych i ograniczonych. Kompaktowe i łatwe w obsłudze wentylatory do stosowania zarówno w pomieszczeniach jak i na zewnątrz.

3.1 Pomiary

Patrz od [Ilustracja 1](#) do [Ilustracja 3](#).



UWAGA!

Pomiary mogą się różnić ze względu na zaktualizowane silniki.

3.2 Schematy spadku ciśnienia

Patrz od [Ilustracja 9](#) do [Ilustracja 12](#).

- A Ciśnienie całkowite
- B Ciśnienie statyczne
- C Ciśnienie całkowite (1,1 kW, 1.5 hp)
- D Ciśnienie statyczne (1,1 kW, 1.5 hp)
- E Ciśnienie całkowite (1,5 kW, 2.0 hp)
- F Ciśnienie statyczne (1,5 kW, 2.0 hp)
- G Ciśnienie całkowite (2,2 kW, 3.0 hp)
- H Ciśnienie statyczne (2,2 kW, 3.0 hp)

3.3 Dane techniczne

| Dane techniczne | |
|---------------------------|-----------------------------|
| Moc silnika | Patrz etykieta na produkcie |
| Prędkość obrotowa silnika | Patrz etykieta silnika |
| Napięcie / Faza | Patrz etykieta silnika |
| Częstotliwość | Patrz etykieta na produkcie |
| Prąd znamionowy | Patrz etykieta silnika |

| Dane techniczne | |
|----------------------------------|----------------------------------|
| Temperatura | -30°C do +40°C (-22°F do +104°F) |
| Temperatura strumienia powietrza | Maks. +60°C (+140°F) |
| Klasa ochrony | IP55 |
| Recykling | 95 % masy |
| Wydajność: | |
| • N16, 0.55 kW | 400-1250 m ³ /h* |
| • N24, 0.75 kW | 400-1500 m ³ /h* |
| • N24, 0.9 kW | 400-1750 m ³ /h* |
| • N27, 1.1 kW | 500-1400 m ³ /h* |
| • N27, 1.5 kW | 500-1950 m ³ /h* |
| • N29, 1.5 kW | 500-1500 m ³ /h* |
| • N29, 2.2 kW | 500-3000 m ³ /h* |
| • N40, 1.5 kW | 500-2500 m ³ /h* |
| • N40, 2.2 kW | 500-4000 m ³ /h* |
| Ciężar: | |
| • N16 | 13 kg (29 lbs) |
| • N24 | 17 kg (37 lbs) |
| • N27 | 17 kg (37 lbs) |
| • N29, 1.5 kW | 28 kg (62 lbs) |
| • N29, 2.2 kW | 32 kg (71 lbs) |
| • N40, 1.5 kW | 25 kg (55 lbs) |
| • N40, 2.2 kW | 29 kg (64 lbs) |
| Poziom hałasu:** | |
| • N 16 | 74-76 dB(A) |
| • N 24 | 75-79 dB(A) |
| • N 27 | 75-79 dB(A) |
| • N 29 | 70-80 dB(A) |

Dane techniczne

• N 40

60-80 dB(A)

4 Instalacja

4.1 Instrukcja montażu
N16/24/27/29/40

⚠ OSTRZEŻENIE! Ryzyko wybuchu
Wentylatora nie należy montować w środowisku, w którym występuje zagrożenie wybuchem, ani używać go do usuwania łatwopalnych lub wybuchowych pyłów lub gazów.

⚠ OSTRZEŻENIE! Ryzyko obrażeń ciała

- Na wlocie i wylocie wentylatora powinny zostać zamontowane siatki ochronne, chyba że wentylator będzie montowany na stałe i będzie podłączony do centralnego układu kanałów, patrz [Ilustracja 4](#).
- Na wlocie wentylatora N40 zawsze musi być zamontowany kanał lub przewód, patrz, [Ilustracja 5](#).

Upewnić się, czy wentylator nie został uszkodzony w czasie transportu.

Wentylatory bez stojaka przeznaczone są do bezpośredniego montażu na innych produktach firmy Nederman.

Jeśli wentylator jest wyposażony w stojak do montażu na ścianie lub na suficie, należy użyć antywibracyjnych śrub mocujących odpowiednio dobranych do materiału, z którego wykonana jest ściana lub sufit. Śruby muszą cechować się wytrzymałością na skręcanie minimum 800 N.

Jeśli wentylator będzie montowany w pomieszczeniu i nie będzie montowany do innego produktu firmy Nederman, powinien zostać zamocowany jak najbliższej gniazda, aby możliwe było wytworzenie podciśnienia w kanałach.

ⓘ UWAGA!
Kanał powietrza wylotowego powinien zostać poprowadzony prosto i powinien być tak krótki, jak to możliwe. Spadek ciśnienia dla kompletnej instalacji powinien być uwzględniony przez projektanta instalacji lub użytkownika.

4.2 Instalacja elektryczna

⚠ OSTRZEŻENIE! Ryzyko obrażeń ciała
Wszystkie czynności związane z układami elektrycznymi muszą być wykonywane przez wykwalifikowanego elektryka zgodnie z lokalnymi przepisami prawa.

Sprawdzić, czy napięcie w sieci zasilającej jest zgodne z oznakowaniem na plakietce wentylatora. Następnie podłączyć wentylator zgodnie ze schematem elektrycznym znajdującym się w skrzynce połączeniowej wentylatora. Zaleca się, aby w obwodzie wentylatora do przewodu zasilającego podłączyć wyłącznik bezpieczeństwa z blokadą. Instalacja elektryczna zawsze powinna uwzględniać zabezpieczenie przeciwprzeciążeniowe silnika.

Zastosowanie napędu bezstopniowego w przypadku wentylatorów 1-fazowych ze standardowymi silnikami nie jest możliwe. W przypadku wentylatorów 3-fazowych można zamontować przemiennik częstotliwości (częstotliwość maks. = częstotliwość znamionowa).

5 Użytkowanie

5.1 Instrukcje dotyczące uruchomienia

⚠ OSTRZEŻENIE! Ryzyko obrażeń ciała

- Nie należy eksploatować wentylatora niepodłączonego do układu kanałów, chyba że wlot i wylot wyposażone są w zatwierdzone siatki ochronne.
- W przypadku pracy w pobliżu wentylatora należy nosić zabezpieczenie słuchu.

Sprawdzić, czy przewody są pewnie połączone.

Sprawdzić uziemienie silnika elektrycznego.

Uruchomić wentylator i sprawdzić, czy w trakcie działania nie dochodzi do nadmiernych wibracji i nie powstaje nadmierny hałas.

ⓘ UWAGA!
W przypadku wentylatorów 3-fazowych zaleca się, aby sprawdzić, czy wałek silnika obraca się we właściwym kierunku (patrz strzałka oznaczająca kierunek obrotów na silniku). Jeśli wałek obraca się w niewłaściwym kierunku, należy przepięć przewody kabla połączeniowego. Patrz [Ilustracja 6](#).

5.2 Eksploatacja na zewnątrz / opróżnianie

Jeśli wentylator musi zostać zamontowany na zewnątrz budynku lub w innych miejscach, gdzie może utrzymywać się duża wilgotność i może dochodzić do kondensacji, konieczne jest sprawdzenie, czy w silniku znajdują się otwory ściekowe. Należy upewnić się, czy otwory te są otwarte. Na najniższym poziomie w jednej z osłon wentylatora należy wywiercić otwór spustowy (Ø 5 mm, około) patrz [Ilustracja 8](#). Otwór należy następnie pokryć środkiem przeciwkorozyjnym.

Jeśli w silniku nie ma otwo-rów spustowych, wentylator należy zabezpieczyć za pomocą odpowiedniej osłony.

UWAGA!

Kabel powinien mieć pętlę i zalecane jest zastosowanie dławika kablowego o klasie ochrony IP 68. Zob. [Ilustracja 7](#).

6 Konserwacja

OSTRZEŻENIE! Ryzyko obrażeń ciała

- Przed rozpoczęciem wykonywania czynności konserwacyjnych lub naprawczych zawsze należy za pomocą wyłącznika odłączyć silnik wentylatora od zasilania.
- Podczas naprawiania i serwisowania systemu zawsze należy nosić maskę do oddychania.

Wszystkie prace związane z instalacją, naprawami i konserwacją muszą być wykonywane przez wykwalifikowany personel oraz z wykorzystaniem wyłącznie oryginalnych części zamiennych firmy Nederman. Aby uzyskać poradę w kwestii serwisu technicznego, skontaktuj się z firmą Nederman lub jej najbliższym autoryzowanym dystrybutorem.

UWAGA!

Częstotliwość wykonywania czynności serwisowych określona w niniejszym rozdziale odnosi się do profesjonalnie utrzymywanego urządzenia.

Konserwacja jest zalecana co najmniej raz w roku.

- Nasłuchując, sprawdzić, czy nie powstaje hałas; dotknąć obudów wentylatora ręką, aby sprawdzić, czy nie występują nadmierne wibracje wentylatora. W razie konieczności odłączyć wentylator od sieci zasilającej, rozmontować wentylator i oczyścić wirnik (nie jest to możliwe w przypadku wentylatora N29). Użyć maski do oddychania.
- Sprawdzić siłę zasysania wentylatora. W przypadku wentylatorów 3-fazowych należy sprawdzić, czy wałek silnika obraca się we właściwym kierunku. Sprawdzić, czy kanały nie są zablokowane. W razie konieczności wyczyścić. Użyć maski do oddychania.
- Sprawdzić instalację elektryczną.
- Sprawdzić, czy kabel zasilający nie jest przetarty lub uszkodzony.
- Jeśli wentylator został zamontowany za pomocą stojaka do ściany lub sufitu, sprawdzić mocowanie.
- Sprawdzić połączenia kanałów i jeśli są obłuzowane, dokręcić.
- Sprawdzić, czy siatki ochronne znajdują się na miejscu.

7 Części zamienne

PRZESTROGA! Ryzyko uszkodzenia sprzętu

Należy używać wyłącznie oryginalnych części zamiennych firmy Nederman.

W razie konieczności uzyskania wskazówek dotyczących serwisu technicznego lub pomocy w sprawie części zamiennych, skontaktuj się z firmą Nederman lub jej najbliższym autoryzowanym dystrybutorem. Patrz również: www.nederman.com.

7.1 Zamawianie części zamiennych

W przypadku zamawiania części zawsze należy podać następujące informacje:

- Numer części i numer kontrolny (patrz: tabliczka znamionowa produktu).
- Numer szczegółowy i nazwę części zamiennej (patrz: www.nederman.com/en/service/spare-part-search).
- Wymagana ilość części.

8 Recykling

Produkt został zaprojektowany w taki sposób, aby możliwe było powtórne przetworzenie materiałów użytych do produkcji jego elementów. Z materiałami różnego rodzaju należy postępować zgodnie z właściwymi przepisami miejscowymi. W razie wątpliwości podczas utylizowania produktu po zakończeniu okresu jego eksploatacji skontaktuj się z firmą Nederman lub jej dystrybutorem.

Índice

| | |
|--|----|
| Figuras | 7 |
| 1 Prefácio | 77 |
| 2 Segurança | 77 |
| 2.1 Classificação de informações importantes | 77 |
| 3 Descrição | 77 |
| 3.1 Medições | 77 |
| 3.2 Diagramas de queda de pressão | 77 |
| 3.3 Dados técnicos | 77 |
| 4 Instalação | 79 |
| 4.1 Instruções de montagem N16/24/27/29/40 | 79 |
| 4.2 Instalação eléctrica | 79 |
| 5 Utilização | 79 |
| 5.1 Instruções de arranque | 79 |
| 5.2 Utilização em exteriores / Drenagem | 79 |
| 6 Manutenção | 80 |
| 7 Peças sobressalentes | 80 |
| 7.1 Encomenda de peças sobressalentes | 80 |
| 8 Reciclagem | 80 |

1 Prefácio

Obrigado por usar o produto Nederman!

O Grupo Nederman é um fornecedor e desenvolvedor líder mundial de produtos e soluções no setor de tecnologia ambiental. Nossos produtos inovadores filtram, limpam e reciclam nos ambientes mais exigentes. Os produtos e soluções da Nederman ajudarão você a melhorar sua produtividade, reduzir custos e diminuir o impacto ao meio ambiente dos processos industriais.

Leia com atenção toda a documentação e a placa de identificação do produto antes de realizar a instalação, de usar e de realizar a manutenção neste produto. Em caso de perda, substitua a documentação imediatamente. Nederman reserva-se o direito de alterar ou melhorar seus produtos, incluindo sua documentação, sem aviso prévio.

Este produto está concebido para cumprir as exigências das directivas CE relevantes. Para manter este estado, todo o trabalho de instalação, manutenção e reparação tem de ser executado por pessoal qualificado, utilizando apenas peças sobressalentes originais. Contacte o seu distribuidor autorizado mais próximo ou a Nederman para consultoria sobre assistência técnica e obtenção de peças sobressalentes. No caso de danos ou peças em falta, notifique imediatamente a transportadora e o representante Nederman local.

2 Segurança

2.1 Classificação de informações importantes

Este documento contém informações importantes que são apresentadas como aviso, cuidado ou observação. Veja os exemplos a seguir:



ADVERTÊNCIA! Risco de ferimentos pessoais

As advertências indicam risco em potencial para a saúde e segurança do pessoal e como esse risco pode ser evitado.



CUIDADO! Risco de danos no equipamento

Os avisos indicam um risco em potencial para o produto, mas não para o pessoal, e como esse risco pode ser evitado.



NOTA!

As observações contêm outras informações importantes para o pessoal.

3 Descrição

N16/24/27/29/40 são ventiladores centrífugos concebidos principalmente para usar com produtos Nederman de extração e ideais como extrator para fumos de soldadura, vapor, poeira ou para fornecer ar fresco durante o trabalho em espaços confinados e fechados. Ventiladores compactos e fáceis de usar para uso interno e externo.

3.1 Medições

Veja [Figura 1](#) a [Figura 3](#).



NOTA!

As medições podem diferir devido a motores atualizados.

3.2 Diagramas de queda de pressão

Veja [Figura 9](#) a [Figura 12](#).

- A Pressão total
- B Pressão estática
- C Pressão total (1,1 kW, 1.5 hp)
- D Pressão estática (1,1 kW, 1.5 hp)
- E Pressão total (1,5 kW, 2.0 hp)
- F Pressão estática (1,5 kW, 2.0 hp)
- G Pressão total (2,2 kW, 3.0 hp)
- H Pressão estática (2,2 kW, 3.0 hp)

3.3 Dados técnicos

| Dados técnicos | |
|---------------------|--------------------------------|
| Potência do motor | Ver rótulo do produto |
| Velocidade do motor | Consultar a etiqueta do motor |
| Tensão / Fase | Consultar a etiqueta do motor |
| Frequência | Ver rótulo do produto |
| Corrente nominal | Consultar a etiqueta do motor |
| Temperatura | -30°C a +40°C (-22°F a +104°F) |

| Dados técnicos | |
|--------------------------|-----------------------------|
| Temperatura caudal de ar | Máx. +60°C (+140°F) |
| Classe de proteção | IP55 |
| Reciclagem | 95 % de peso |
| Capacidade: | |
| • N16, 0.55 kW | 400-1250 m ³ /h* |
| • N24, 0.75 kW | 400-1500 m ³ /h* |
| • N24, 0.9 kW | 400-1750 m ³ /h* |
| • N27, 1.1 kW | 500-1400 m ³ /h* |
| • N27, 1.5 kW | 500-1950 m ³ /h* |
| • N29, 1.5 kW | 500-1500 m ³ /h* |
| • N29, 2.2 kW | 500-3000 m ³ /h* |
| • N40, 1.5 kW | 500-2500 m ³ /h* |
| • N40, 2.2 kW | 500-4000 m ³ /h* |
| Peso: | |
| • N16 | 13 kg (29 lbs) |
| • N24 | 17 kg (37 lbs) |
| • N27 | 17 kg (37 lbs) |
| • N29, 1.5 kW | 28 kg (62 lbs) |
| • N29, 2.2 kW | 32 kg (71 lbs) |
| • N40, 1.5 kW | 25 kg (55 lbs) |
| • N40, 2.2 kW | 29 kg (64 lbs) |
| Nível de ruído:** | |
| • N 16 | 74-76 dB(A) |
| • N 24 | 75-79 dB(A) |
| • N 27 | 75-79 dB(A) |
| • N 29 | 70-80 dB(A) |
| • N 40 | 60-80 dB(A) |

4 Instalação

4.1 Instruções de montagem N16/24/27/29/40



ADVERTÊNCIA! Risco de explosão

O ventilador não pode ser montado num ambiente com risco de explosão ou ser utilizado para transportar poeiras ou gases inflamáveis ou explosivos.



ADVERTÊNCIA! Risco de ferimentos pessoais

- As redes de protecção têm de ser montadas na entrada e saída do ventilador, excepto se o ventilador estiver preso, montado e directamente ligado ao sistema de condutas, ver [Figura 4](#).
- Na entrada do ventilador N40 deverá estar sempre montada uma conduta ou uma mangueira, ver [Figura 5](#).

Certifique-se de que a unidade do ventilador não sofreu danos durante o transporte.

Os ventiladores sem suporte foram concebidos para serem montados directamente noutros produtos Nederman.

Se o ventilador for montado com suporte numa parede ou tecto, deverão ser usados parafusos de fixação protegidos contra vibração, adequados ao material da parede ou do tecto. Cada um dos parafusos deve suportar uma força de aperto mínima de 800 N.

Se o ventilador vai ser utilizado em interiores, e se não estiver montado noutro produto Nederman, deve ser montado o mais próximo possível da saída da divisão, para fornecer subpressão nas tubagens.



NOTA!

A conduta do ar de escape deve ser encaminhada a direito e deverá ser o mais curta possível. A queda de pressão para o sistema completo deve ser considerada pelo projetista da instalação ou pelo usuário.

4.2 Instalação eléctrica



ADVERTÊNCIA! Risco de ferimentos pessoais

Todo o trabalho eléctrico deve ser realizado por um electricista qualificado de acordo com os regulamentos locais.

Verifique se a tensão da rede é igual à indicada na placa de sinalética do ventilador. A seguir ligue o ventilador de acordo com o diagrama da cablagem na caixa de derivação do ventilador. Recomenda-se que o ventilador seja equipado com um interruptor de segurança trancável no cabo de alimentação da rede. A instala-

ção eléctrica deverá conter sempre uma protecção de sobrecarga do motor.

A transmissão de velocidade variável não é possível em ventiladores monofásicos com motores padrão. Para os ventiladores trifásicos, pode utilizar-se um conversor de frequência (frequência máx. = frequência nominal).

5 Utilização

5.1 Instruções de arranque



ADVERTÊNCIA! Risco de ferimentos pessoais

- O ventilador não pode ser utilizado sem condutas ligadas, excepto se a entrada e saída estiverem equipadas com redes de protecção adequadas.
- Deve usar protectores auriculares sempre que trabalhar perto do ventilador.

Verifique se as ligações dos cabos estão apertadas.

Verifique a ligação à terra do motor eléctrico.

Ligue o ventilador e verifique se funciona sem vibrações e ruído excessivos.



NOTA!

Nos ventiladores trifásicos, é recomendado verificar se o veio do motor roda na direcção correcta (ver seta de rotação no motor). Se o veio rodar na direcção errada, será necessário inverter dois dos condutores dos cabos de ligação. Ver [Figura 6](#).

5.2 Utilização em exteriores / Drenagem

Se o ventilador for utilizado em exteriores sem qualquer protecção ou em circunstâncias onde possa haver humidade e condensação, deve verificar-se se o motor possui orifícios de drenagem. Certifique-se de que estes orifícios estão abertos. No nível mais baixo, numa das caixas do ventilador deve fazer um furo (cerca de Ø 5 mm), ver [Figura 8](#), e depois tratá-lo com um agente anti-corrosivo.

Se o motor não estiver equipado com orifícios de drenagem, o ventilador deverá ser protegido com uma capa adequada.



NOTA!

O cabo deve ter um laço e o prensa-cabo é recomendado com classe de protecção IP 68. Veja [Figura 7](#).

6 Manutenção



ADVERTÊNCIA! Risco de ferimentos pessoais

- Desligue sempre o motor do ventilador da rede de alimentação com o isolador antes de iniciar qualquer trabalho de manutenção ou reparação.
- Use sempre máscara respiratória quando reparar e der assistência ao sistema.

A instalação, reparação e manutenção devem ser executadas por pessoal qualificado, utilizando apenas peças sobressalentes originais da Nederman. Contacte o seu distribuidor autorizado mais próximo ou a Nederman para consultoria sobre assistência técnica.



NOTA!

Os intervalos neste capítulo baseiam-se no pressuposto de a manutenção da unidade ser efectuada por profissionais.

Manutenção é recomendada pelo menos uma vez por ano.

- Preste atenção se há ruído, toque nas caixas do ventilador com a mão e veja se o ventilador vibra de forma estranha. Se for necessário, desligue o ventilador da rede de alimentação, desmonte-o e limpe o rotor (não é possível no ventilador N29). Utilize máscara de respiração.
- Verifique a capacidade de aspiração do ventilador. Em ventiladores trifásicos, verifique se o veio do motor roda na direcção certa. Certifique-se de que as condutas não estão bloqueadas. Limpe se for necessário Utilize máscara de respiração.
- Verifique a instalação eléctrica.
- Verifique se o cabo de alimentação da rede não está gasto nem danificado.
- Se o ventilador foi montado com suporte na parede ou no tecto, verifique a montagem.
- Verifique e aperte as ligações soltas das condutas.
- Verifique se as redes de protecção estão montadas nos devidos lugares.

7 Peças sobressalentes



CUIDADO! Risco de danos no equipamento

Use apenas peças de reposição e acessórios originais da Nederman.

Entre em contacto com o distribuidor autorizado mais próximo ou com a Nederman para receber informações sobre serviço técnico ou se precisar de ajuda com peças de reposição. Acesse também o site www.nederman.com.

7.1 Encomenda de peças sobressalentes

Quando encomendar peças sobressalentes indique sempre o seguinte:

- Número de peça e de controlo (consulte a placa de identificação do produto).
- Número detalhado e designação da peça de reposição (consulte o site www.nederman.com/en/service/spare-part-search).
- Quantidade de peças necessárias.

8 Reciclagem

O produto foi concebido de modo a ser possível reciclar os materiais dos componentes. Os diferentes tipos de materiais têm de ser manuseados de acordo com regulamentos locais relevantes. Contacte o distribuidor ou a Nederman, caso surjam quaisquer questões sobre a eliminação do produto no final da sua vida útil.

Innehållsförteckning

| | |
|--|----|
| Bilder | 7 |
| 1 Förord | 82 |
| 2 Säkerhet | 82 |
| 2.1 Klassificering av viktig information | 82 |
| 3 Beskrivning | 82 |
| 3.1 Mått | 82 |
| 3.2 Tryckfallsdiagram | 82 |
| 3.3 Tekniska data | 82 |
| 4 Installation | 84 |
| 4.1 Monteringsanvisning N16/24/27/29/40 | 84 |
| 4.2 Elinstallation | 84 |
| 5 Användning | 84 |
| 5.1 Startinstruktioner | 84 |
| 5.2 Utomhus/Dränering | 84 |
| 6 Underhåll | 84 |
| 7 Reservdelar | 85 |
| 7.1 Beställa reservdelar | 85 |
| 8 Återvinning | 85 |

1 Förord

Tack för att du använder en Nederman-produkt!

Nederman Group är en världsledande leverantör och utvecklare av produkter och lösningar för miljöteknik-sektorn. Våra innovativa produkter filtrerar, renar och återvinner i de mest krävande miljöer. Nederman:s produkter och lösningar hjälper dig att öka din produktivitet, sänka kostnader och minska miljöpåverkan från industriella processer.

Läs all produktokumentation och produktens märkskylt noga före installation, drift och service av produkten. Ersätt dokumentationen omedelbart om den skulle försvinna. Nederman förbehåller sig rätten att ändra och förbättra sina produkter, inklusive dokumentation, utan föregående avisering.

Den här produkten uppfyller kraven i tillämpliga EU-direktiv. För att produktens ska fortsätta att uppfylla kraven måste alla installationer, underhållsarbeten och reparationer utföras av behörig personal som endast använder originaldelar och tillbehör från Nederman. Kontakta närmaste auktoriserade återförsäljare eller Nederman för rådgivning vid teknisk service samt för att erhålla reservdelar. Kontakta omedelbart speditören och den lokala Nederman-representanten om delar saknas eller är skadade när produkten levereras.

2 Säkerhet

2.1 Klassificering av viktig information

Det här dokumentet innehåller viktig information som presenteras antingen som en varning, ett försiktighetsmeddelande eller en kommentar.

⚠ VARNING! Risk för personskada
Varningar anger en möjlig fara för personalens hälsa och säkerhet, samt hur faran kan undvikas.

3.3 Tekniska data

| Tekniska data | |
|----------------------|--------------------------------------|
| Motoreffekt | Se produktetiketten |
| Motorhastighet | Se motors etikett |
| Spänning/Fas | Se motors etikett |
| Frekvens | Se produktetiketten |
| Märkström | Se motors etikett |
| Temperatur | -30°C till +40°C (-22°F till +104°F) |
| Luftflöde temperatur | Max. +60°C (+140°F) |
| Skyddsklass | IP55 |

⚠ VARSAMHET! Risk för skada på utrustningen
"Försiktigt" betecknar en potentiell risk för produkten, men innebär inte fara för personal, och anger hur risken kan förhindras.

ⓘ NOTERA!
Anmärkningar innehåller annan information som är viktig för medarbetarna.

3 Beskrivning

N16/24/27/29/40 är centrifugalfläktar som främst är konstruerade för användning med Nederman utsugsprodukter och är perfekt som utsug för svetsrök, ånga, damm eller för att tillhandahålla frisk luft vid arbete i trånga och slutna utrymmen. Kompakta och lättanvända fläktar för användning både inomhus och utomhus.

3.1 Mått

Se [Figur 1](#) till [Figur 3](#).

ⓘ NOTERA!
Måtten kan variera beroende på om motorerna har uppdaterats eller inte.

3.2 Tryckfallsdiagram

Se [Figur 9](#) till [Figur 12](#).

- A Totalt tryck
- B Statiskt tryck
- C Totalt tryck (1,1 kW, 1.5 hp)
- D Statiskt tryck (1,1 kW, 1.5 hp)
- E Totalt tryck (1,5 kW, 2.0 hp)
- F Statiskt tryck (1,5 kW, 2.0 hp)
- G Totalt tryck (2,2 kW, 3.0 hp)
- H Statiskt tryck (2,2 kW, 3.0 hp)

| Tekniska data | |
|----------------|-----------------------------|
| Återvinning | 95 % vikts-% |
| Kapacitet | |
| • N16, 0.55 kW | 400-1250 m ³ /h* |
| • N24, 0.75 kW | 400-1500 m ³ /h* |
| • N24, 0.9 kW | 400-1750 m ³ /h* |
| • N27, 1.1 kW | 500-1400 m ³ /h* |
| • N27, 1.5 kW | 500-1950 m ³ /h* |
| • N29, 1.5 kW | 500-1500 m ³ /h* |
| • N29, 2.2 kW | 500-3000 m ³ /h* |
| • N40, 1.5 kW | 500-2500 m ³ /h* |
| • N40, 2.2 kW | 500-4000 m ³ /h* |
| Vikt: | |
| • N16 | 13 kg (29 lbs) |
| • N24 | 17 kg (37 lbs) |
| • N27 | 17 kg (37 lbs) |
| • N29, 1.5 kW | 28 kg (62 lbs) |
| • N29, 2.2 kW | 32 kg (71 lbs) |
| • N40, 1.5 kW | 25 kg (55 lbs) |
| • N40, 2.2 kW | 29 kg (64 lbs) |
| Ljudnivå:** | |
| • N 16 | 74-76 dB(A) |
| • N 24 | 75-79 dB(A) |
| • N 27 | 75-79 dB(A) |
| • N 29 | 70-80 dB(A) |
| • N 40 | 60-80 dB(A) |

4 Installation

4.1 Monteringsanvisning N16/24/27/29/40



WARNING! Explosionsrisk

Fläkten får inte installeras i en miljö med explosionsrisk eller användas för transport av lättantändligt eller explosivt damm eller gaser.



WARNING! Risk för personskada

- Skyddsnet måste monteras på fläktens in- och utlopp om inte fläkten är fast monterad och direkt ansluten till kanalsystemet, se [Figur 4](#).
- På inloppet för fläkten N40 måste en kanal eller slang alltid vara monterad, se [Figur 5](#).

Kontrollera att fläktenheten inte har skadats under transporten.

Fläktar utan stativ är konstruerade för montering direkt på andra Nederman-produkter.

Om fläkten monteras med stativ på en vägg eller i taket måste man använda vibrations säkra skruvar som lämpar sig för materialet i väggen eller taket. Varje skruv måste klara en momentkraft på lägst 800 N.

Om fläkten ska användas inomhus och inte monteras på någon annan Nederman-produkt, ska den monteras så nära rummets utlopp som möjligt för att skapa undertryck i kanalsystemet.

SV



NOTERA!

Frånluftkanalen ska dras så rakt och kort som möjligt. Tryckfall för komplett system ska beaktas av installation konstruktören eller användaren.

4.2 Einstallation



WARNING! Risk för personskada

Allt elektriskt arbete får endast utföras av behörig elektriker i överensstämmelse med gällande lokala föreskrifter.

Kontrollera att nätspänningen stämmer överens med uppgifterna på fläktens märkskylt. Anslut sedan fläkten enligt kopplingsdiagrammet i fläktens kopplingsdosa. Det rekommenderas att fläkten utrustas med en låsbar säkerhetsbrytare på kabeln för strömförsörjning. Motorskydd måste alltid ingå i elinstallationen.

Det är inte möjligt att använda drivenhet för variabel varvtal på enfasfläktar med standardmotor. För trefasfläktar kan frekvensomvandlare användas (maximal frekvens = märkfrekvensen).

5 Användning

5.1 Startinstruktioner



WARNING! Risk för personskada

- Fläkten får inte användas utan anslutna kanaler såvida inte in- och utloppet är utrustat med godkända skyddsnet.
- Vid arbete nära fläkten ska hörselskydd användas.

Kontrollera att kabelanslutningarna är åtdragna.

Kontrollera elmotorns jordning.

Starta fläkten och kontrollera att den fungerar utan alltför stora kraftiga eller buller.



NOTERA!

På trefasfläktar bör man kontrollera att motorns axel roterar åt rätt håll (se motorns pil för rotationsriktning). Om axeln roterar åt fel håll måste man kasta om två av anslutningskabelns fasledare. Se [Figur 6](#).

5.2 Utomhus/Dränering

Om fläkten skall användas utan något skydd utomhus eller under andra omständigheter där fukt eller kondens kan förekomma, måste man kontrollera att motorn har dräneringshål. Se till att hålen är öppna. I ett av fläktens höljen måste man borra ett dräneringshål (cirka Ø 5 mm) i den lägsta punkten, se [Figur 8](#). Behandla sedan hålet med korrosionsskydd.

Om motorn inte har dräneringshål måste fläkten skyddas med en lämplig kåpa.



NOTERA!

Kabeln ska ha en ögla och kabelförskruvningen rekommenderas ha skyddsklass IP 68. Se [Figur 7](#).

6 Underhåll



WARNING! Risk för personskada

- Koppla alltid från fläktmotorn från elnätet med isolatorn innan du påbörjar underhålls- eller reparationsarbete.
- Använd alltid en andningsmask vid reparation och service av systemet.

Installation, reparationer och underhåll måste utföras av en fackman och endast originalreservdelar från Nederman får användas. Kontakta närmaste auktoriserade återförsäljare eller Nederman för rådgivning vid teknisk service.



NOTERA!

Tidsintervallen i detta kapitel bygger på professionellt underhåll av enheten.

Underhåll rekommenderas minst en gång om året.

- Lyssna efter buller och vidrör fläktens höljen med handen för att kontrollera om fläkten vibrerar på något onormalt sätt. Koppla vid behov bort fläkten från elnätet, demontera fläkten och rengör fläkthjulet (ej möjligt på fläkten N29). Använd andningsskydd.
- Kontrollera fläktens sugförmåga. Kontrollera på tresfasfläktar att motoraxeln roterar åt rätt håll. Kontrollera att kanalerna inte är blockerade. Rengör vid behov (använd andningsskydd).
- Kontrollera den elektriska installationen.
- Kontrollera att nätanslutningskabeln inte är slitna eller skadade.
- Kontrollera monteringsdetaljerna om fläkten är monterad med ett stativ mot en vägg eller i taket.
- Kontrollera och dra åt eventuella kanalanslutningar som sitter löst.
- Kontrollera att skyddsnäten är på plats.

7 Reservdelar



VARSAMHET! Risk för skada på utrustningen

Använd endast Nederman originalreservdelar och tillbehör.

Kontakta närmaste auktoriserade återförsäljare eller Nederman för information om teknisk service eller om du behöver beställa reservdelar. Se även www.nederman.com.

7.1 Beställa reservdelar

Ange alltid följande information vid beställning av reservdelar:

- Komponent- och kontrollnummer (se produktens märkskylt).
- Reservdelens artikelnummer och namn (se www.nederman.com/en/service/spare-part-search).
- Antal erforderliga reservdelar.

8 Återvinning

Produkten är designad så att komponentmaterialet kan återvinnas. De olika materialtyperna måste hanteras i enlighet med tillämpliga lokala bestämmelser. Kontakta leverantören eller Nederman om det skulle uppstå oklarheter kring produktens skrotning i slutet av dess livslängd.

目录

| | |
|-------------------------------|----|
| 数据 | 7 |
| 1 前言 | 87 |
| 2 安全性 | 87 |
| 2.1 重要信息分类 | 87 |
| 3 说明 | 87 |
| 3.1 尺寸 | 87 |
| 3.2 压降图 | 87 |
| 3.3 技术数据 | 87 |
| 4 安装 | 88 |
| 4.1 安装说明N16/24/27/29/40 | 88 |
| 4.2 电气安装 | 89 |
| 5 使用 | 89 |
| 5.1 启动说明 | 89 |
| 5.2 室外使用/排水 | 89 |
| 6 维护 | 89 |
| 7 备件 | 89 |
| 7.1 订购备件 | 89 |
| 8 回收利用 | 89 |

1 前言

感谢您使用Nederman产品！

Nederman集团是环境技术领域产品和解决方案的全球领先供应商和开发商。我们的创新产品将在最苛刻的环境中进行过滤，清洁和回收利用。Nederman的产品和解决方案将帮助您提高生产率，降低成本，并减少工业流程对环境的影响。


请在安装、使用和维修本产品之前，认真阅读本手册。一旦手册丢失，请立即更换。Nederman保留修改和改进其产品（包括文档）且无须事先通知的权利。


本产品符合相关 EC 指令的要求。为保持这一状态，所有安装、维修和维护工作均应由取得资格的人员完成，并且只能使用原装Nederman备件。请联系距您最近的授权经销商或Nederman，寻求有关技术服务的建议和获取备件。如果受损或缺少部件，请立即通知运输公司和当地的Nederman代表。

2 安全性

2.1 重要信息分类

本文档所含的重要信息以警告、注意或提示的方式呈现。请参见以下示例：

 **警告！人员伤亡风险**
“警告”表示对人员的健康和构成潜在危险以及如何避免该危险。

 **警告！设备损坏风险**
“警告”是指对产品而非操作人员的潜在危害，以及如何避免该危害。

3.3 技术数据

| 技术数据 | |
|----------------|--------------------------------|
| 电机功率 | 见产品标签 |
| 马达转速 | 见电机标签 |
| 电压/相位 | 见电机标签 |
| 频率 | 见产品标签 |
| 额定电流 | 见电机标签 |
| 温度 | -30°C 至 +40°C (-22°F 至 +104°F) |
| 气流温度 | 最高 +60°C (+140°F) |
| 防护等级 | IP55 |
| 回收利用 | 重量的95 % |
| 工作能力 | |
| • N16, 0.55 kW | 400-1250 m ³ /h* |

 **注意！**
“注意”包含其他需要相关人员予以重视的信息。

3 说明

N16/24/27/29/40 是主要设计用于Nederman抽吸产品的离心式鼓风机，非常适合用作焊接烟雾、蒸汽、灰尘抽吸器或在狭窄和封闭空间中工作时提供新鲜空气。紧凑且易于使用的鼓风机，适合室内和室外用途。

3.1 尺寸

见 [数字 1](#) 至 [数字 3](#)。

 **注意！**
由于更新了电机，尺寸可能会有所不同。

3.2 压降图

见 [数字 9](#) 至 [数字 12](#)。

- A 总压力
- B 静压
- C 总压力 (1,1 kW, 1.5 hp)
- D 静压 (1,1 kW, 1.5 hp)
- E 总压力 (1,5 kW, 2.0 hp)
- F 静压 (1,5 kW, 2.0 hp)
- G 总压力 (2,2 kW, 3.0 hp)
- H 静压 (2,2 kW, 3.0 hp)

| 技术数据 | |
|----------------|-----------------------------|
| • N24, 0.75 kW | 400-1500 m ³ /h* |
| • N24, 0.9 kW | 400-1750 m ³ /h* |
| • N27, 1.1 kW | 500-1400 m ³ /h* |
| • N27, 1.5 kW | 500-1950 m ³ /h* |
| • N29, 1.5 kW | 500-1500 m ³ /h* |
| • N29, 2.2 kW | 500-3000 m ³ /h* |
| • N40, 1.5 kW | 500-2500 m ³ /h* |
| • N40, 2.2 kW | 500-4000 m ³ /h* |
| 重量： | |
| • N16 | 13 kg (29 lbs) |
| • N24 | 17 kg (37 lbs) |
| • N27 | 17 kg (37 lbs) |
| • N29, 1.5 kW | 28 kg (62 lbs) |
| • N29, 2.2 kW | 32 kg (71 lbs) |
| • N40, 1.5 kW | 25 kg (55 lbs) |
| • N40, 2.2 kW | 29 kg (64 lbs) |
| 噪音水平：** | |
| • N16 | 74-76 dB(A) |
| • N24 | 75-79 dB(A) |
| • N27 | 75-79 dB(A) |
| • N29 | 70-80 dB(A) |
| • N40 | 60-80 dB(A) |

4 安装

4.1 安装说明N16/24/27/29/40



警告！爆炸风险
鼓风机不可安装在具爆炸危险的环境中，亦不可用于传送易燃易爆粉尘或气体。



警告！人员伤害风险

- 防护网罩必须安装在鼓风机的进气口和出气口上，除非鼓风机是固定安装并且者直接连接到管道系统（见数字4）。
- 一根管子或软管必须总是安装在N40鼓风机的进气口上（见数字5）。

确认鼓风机没有在运输途中受损。

不带座架的鼓风机设计用于直接安装在其它Nederman产品上使用。

如果鼓风机配有安装于墙壁或天花板上的座架，必须使用适合于墙壁或天花板材料的抗振动固定螺栓。每枚螺栓最低必须能承受800N的扭力。

如果鼓风机要在室内使用，且不是安装在另一种Nederman产品上，它应该尽量安装在靠近房间出口处，以在管道系统中提供负压。



注意！
排气管应当遵守直线路径，且越短越好。整个系统的压降应由安装设计者或用户考虑。

4.2 电气安装



警告！ 人员伤害风险
要！所有电气工作必须由一名合格的电工按照当地规定执行。

检查确认主电源电压和鼓风机标牌上的相一致。然后根据鼓风机接线盒上的电路图连接鼓风机。建议在主电源电缆上给鼓风机配备一个可以锁定的安全开关。电气安装中应该总是包括一个马达超载保护装置。

在1-相标准马达鼓风机上没有变速驱动。对于3-相鼓风机，可以使用一个频率转换器（最大频率 = 额定频率）。

5 使用

5.1 启动说明



警告！ 人员伤害风险

- 鼓风机使用时切忌不连接管道系统，除非进气口和出气口配备了经许可的防护网罩。
- 在鼓风机附近工作时应该使用护耳罩。

检查电缆接头是否紧固。

检查电动马达的接地。

启动鼓风机，检查确认其运转没有任何过度振动与噪音。



注意！
要！在3-相鼓风机上，建议检查马达轴的旋转方向是否正确（参看马达上的旋转箭头）。如果轴的旋转方向错误，则必须调换连接电缆的两根导线（[数字6](#)）。

5.2 室外使用/排水

如果鼓风机要在室外无任何保护地加以使用，或者在其它会有潮湿和冷凝现象的环境中使用，则必须检查确认马达配备有排水孔。确认这些孔是敞开的。在鼓风机壳体之一的最下部必须钻一个排水孔（约 $\varnothing 5\text{ mm}$ ），（[数字8](#)），然后用防腐剂对孔加以处理。

如果电动机没有排水孔，则必须用合适的盖子保护风扇。



注意！
电缆应有环套，建议使用防护等级IP 68的电缆接头。见 [数字7](#)。

6 维护



警告！ 人员伤害风险

- 开始任何维护或修理工作前，必须总是先用切断开关将鼓风机马达从总电源断开。
- 修理和维护系统时，请总是适用呼吸面具。

安装、维修和维护工作均应由取得资格的人员完成，并且只能使用Nederman原装备件。请联系距您最近的授权经销商或Nederman，寻求有关技术服务的建议。



注意！
意！本章中的服务间隔基于设备得到专业维护这一前提。

建议每年至少进行一次维护。

- 倾听噪音并用手碰触鼓风机外壳，注意鼓风机是否出现异常振动。如果必要，从主电源上断开鼓风机连接，拆卸鼓风机并清洁叶轮（N29型鼓风机上不可能进行）。使用呼吸面具。
- 检查鼓风机的吸力。在3-相鼓风机上，检查确认马达轴的旋转方向是正确的。检查确认管道没有阻塞。必要时进行清洁（使用呼吸面具）。
- 检查电气安装。
- 检查确认主电源电缆没有磨损或损坏。
- 如果鼓风机用座架安装在墙壁或天花板上，检查安装件。
- 检查并拧紧所有松动的管道接头。
- 检查确认防护网罩在位。

7 备件



警告！ 设备损坏风险

只能使用Nederman原装备件。

如需有关技术服务的建议或者需要备件相关帮助，请联系距您最近的授权经销商或Nederman。另请参见www.nederman.com。

7.1 订购备件

订购备件时，请提供以下信息：

- 零部件及控件编号（见产品铭牌）。
- 备件的详细编号和名称（参见www.nederman.com/en/service/spare-part-search）。
- 所需备件的数量。

8 回收利用

本产品的的设计使组件材料可以回收利用。不同类型的材料请按当地相关规定处理。有关产品达到使用寿命进行报废时如有不确定，请联系经销商或Nederman。

Nederman

www.nederman.com