

Model Specification and Spare Parts

Air-driven series

426A - NE52, S50

42142600

Original model specification and spare parts

EN MODEL SPECIFICATION AND SPARE PARTS

Table of contents

1 Model Specification	4
2 Spare Parts	5

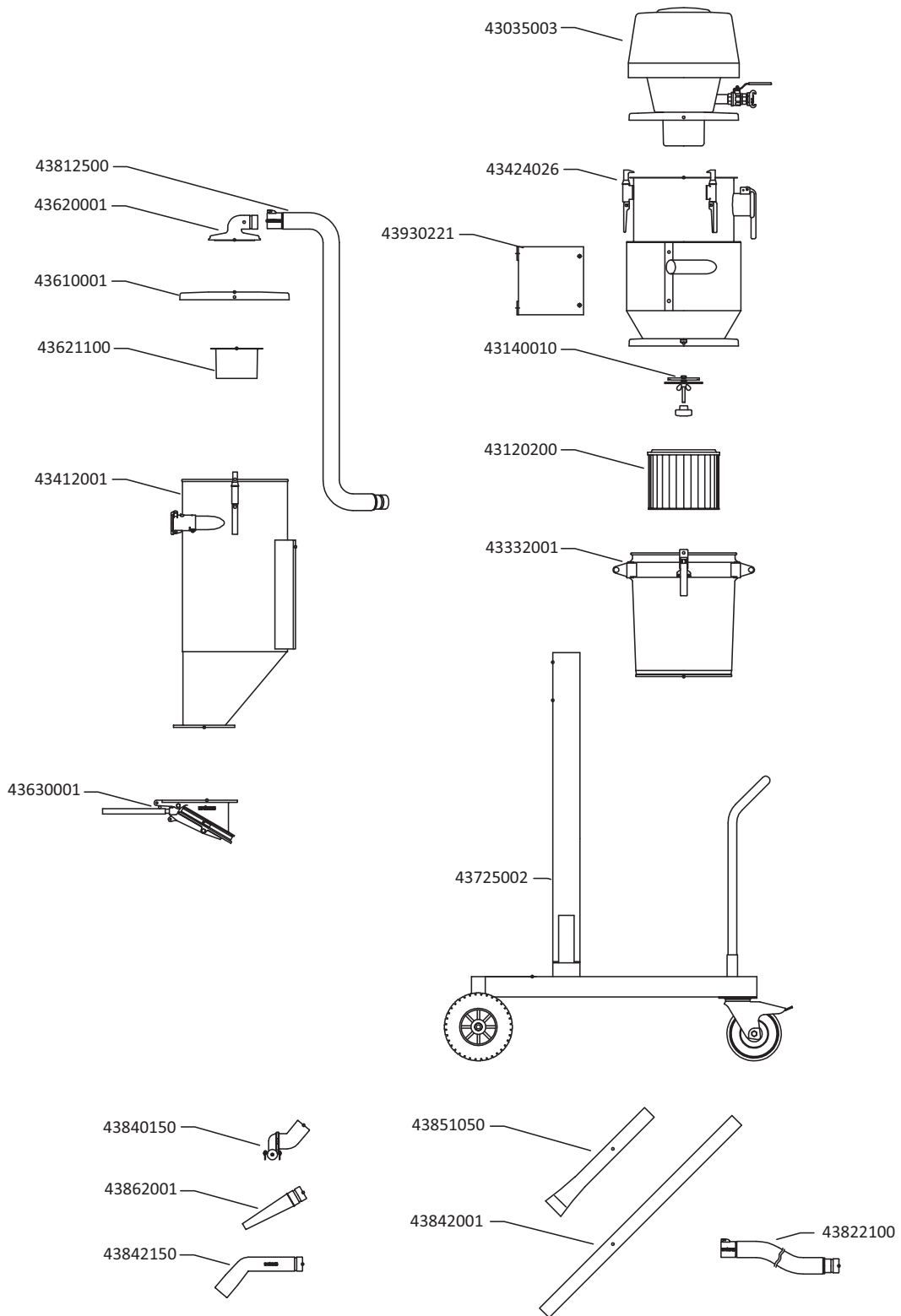
1 Model Specification

Description: 426A - NE52, S50

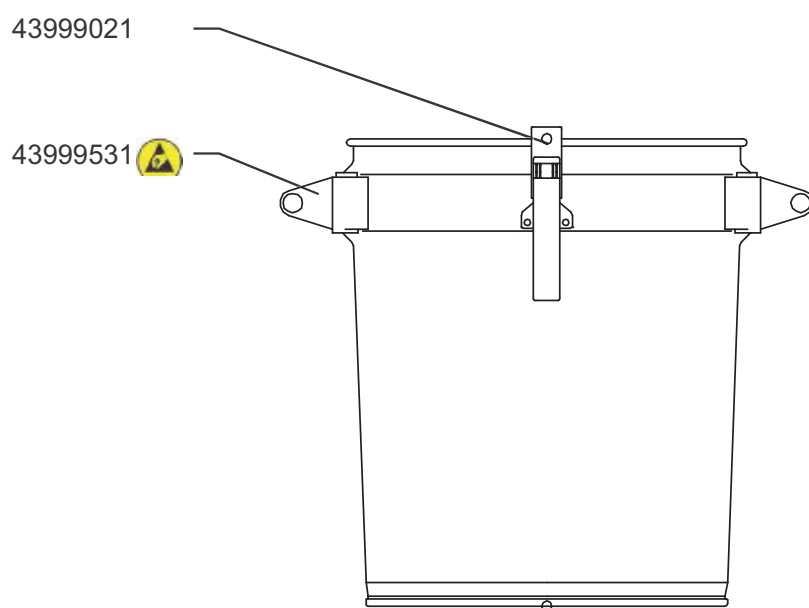
Model: 42142600

Code No.	Description	Qty.
43035003	NE52, S50	1
43120200	Absolute filter L=220 A=1.56m ² wo/perf.plate	1
43140010	Clamp f/cartr.filter M10 L=90 El-Zn	1
43332001	Container S50 47l w/ecc fastners	1
43412001	Silo S50 f/wall d51	1
43424026	Silo S50 w/rev.air clean turned inlet	1
43610001	Lid S50	1
43620001	Suction outlet w/flange d51	1
43621100	Cup w/flange f/dry suct	1
43630001	Discharge valve manual	1
43725002	Mobile frame S50 wo/tip cross in frame	1
43812500	Suction hose PE d51 L=1.35 m antistatic w/male-female connect	1
43822100	Suction hose PVC d51 L=6 m antistatic w/male-female connect	1
43840150	Floor suct head d51/500	1
43842001	Suction pipe d51 PEHD-el L-1140 mm	1
43842150	Pipe bend d51 antistatic	1
43851050	Scraping tool d51 L=500	1
43862001	Conical nozzle d51	1
43930221	Bracket S50 f/silo, 180 mm between holes	1

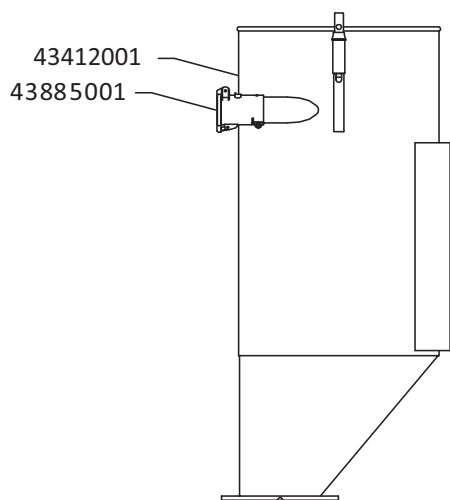
2 Spare Parts



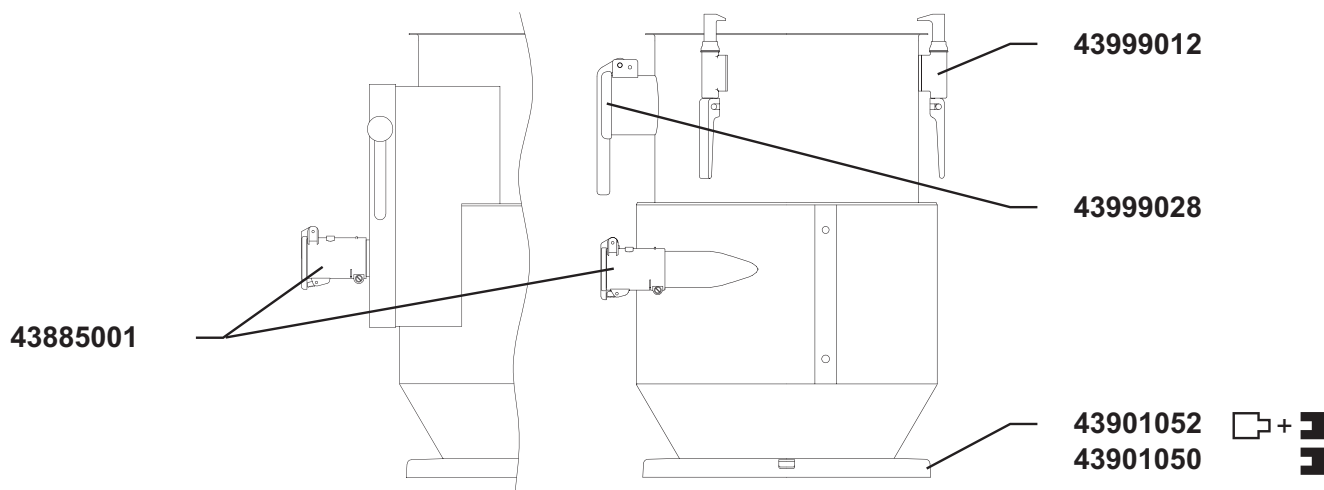
42142600



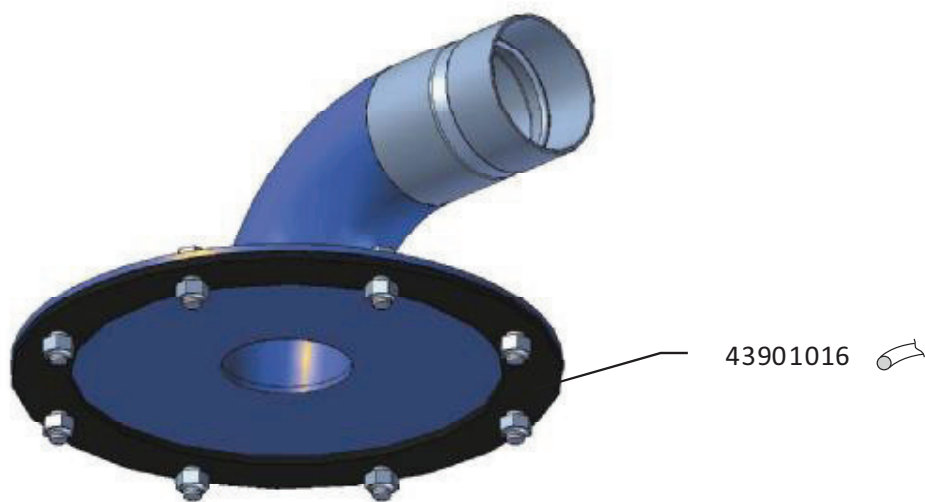
43332001



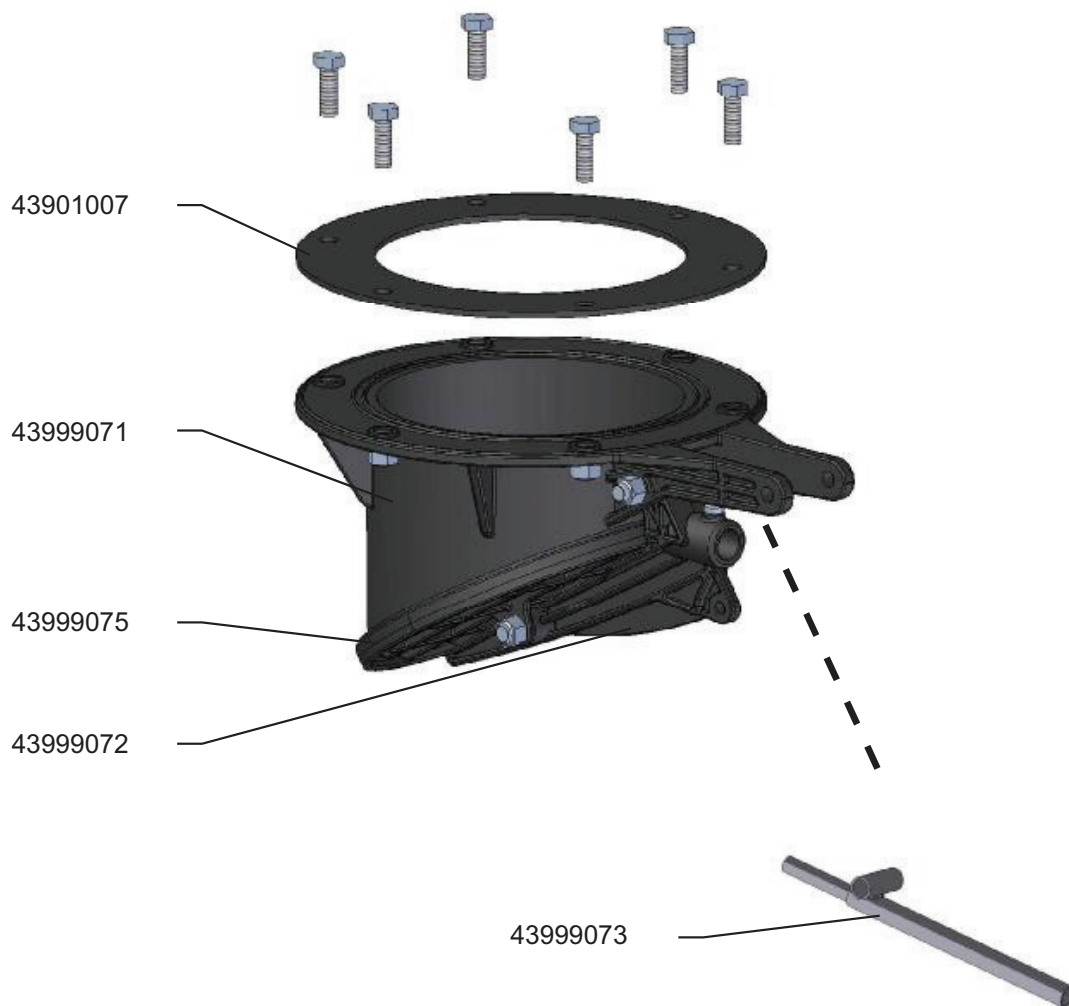
43412001



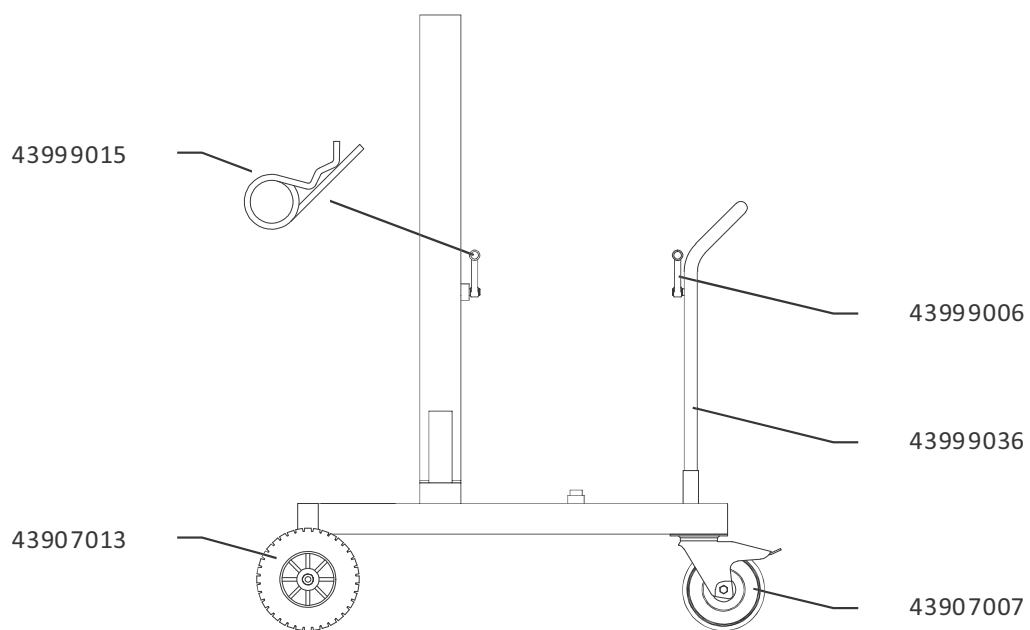
43424026



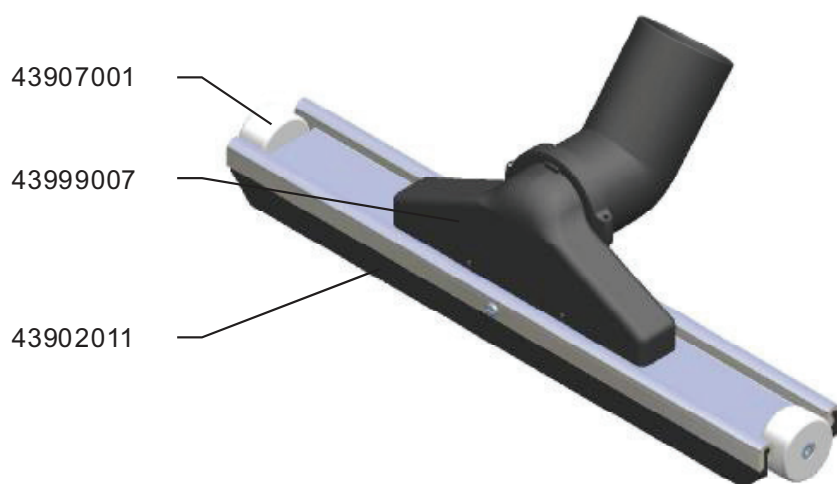
43620001



43630001



43725002



43840150

Nederman

www.nederman.com